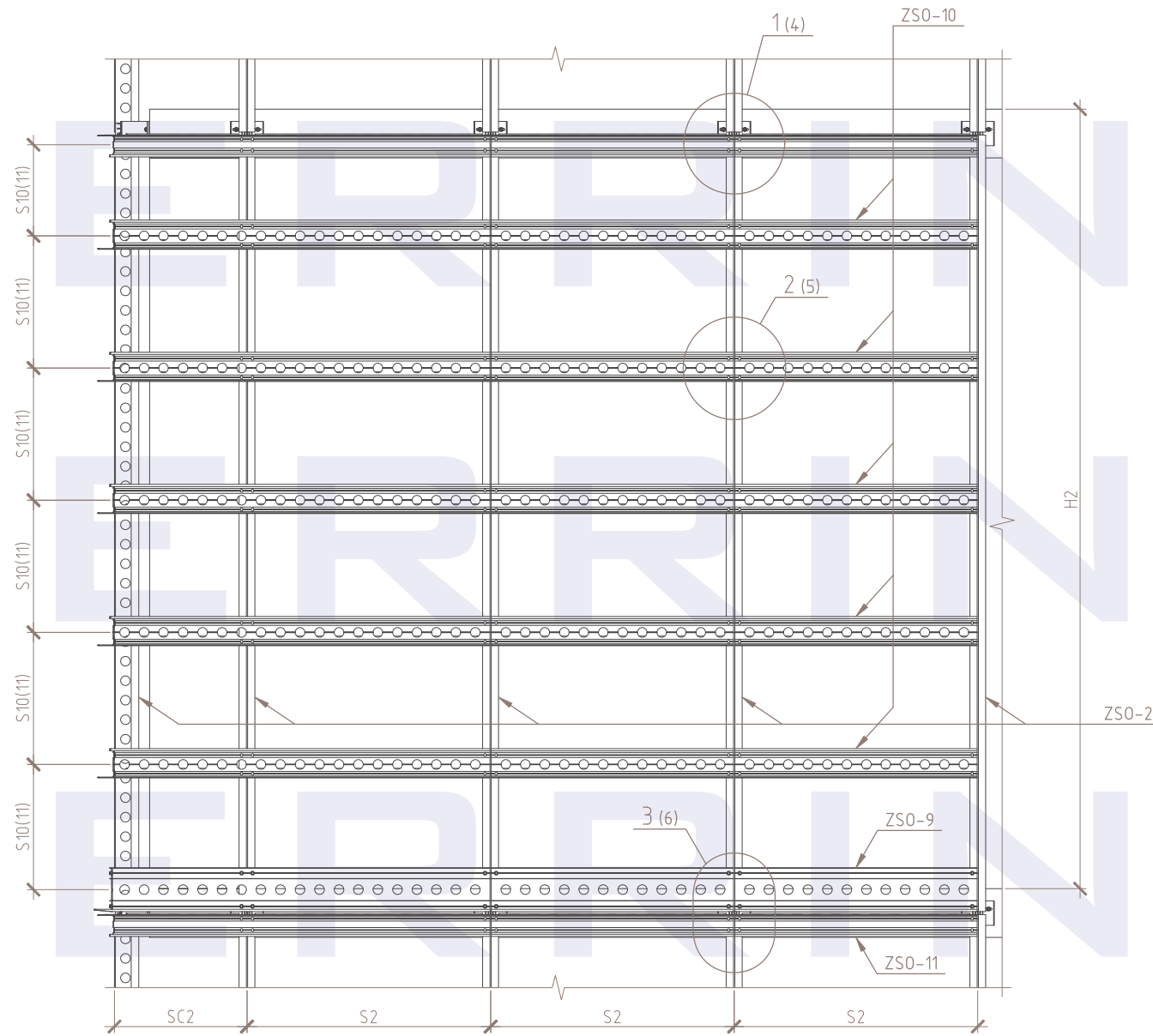
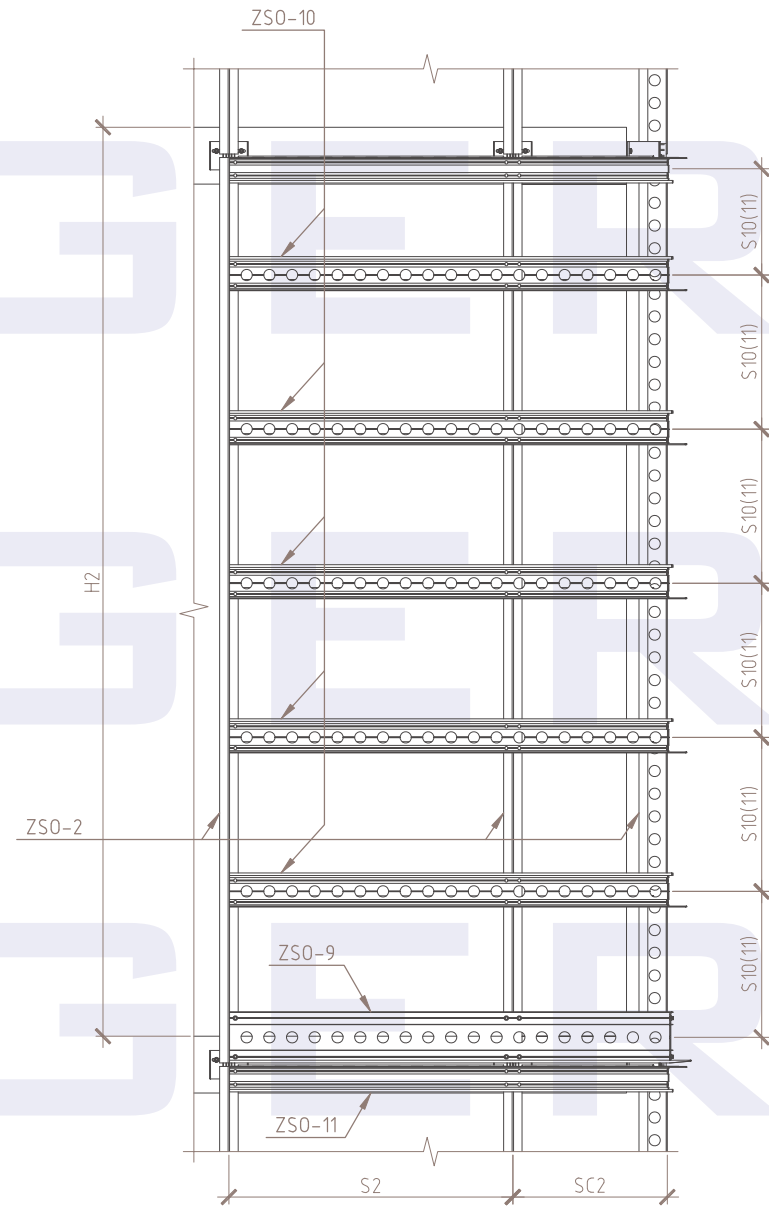


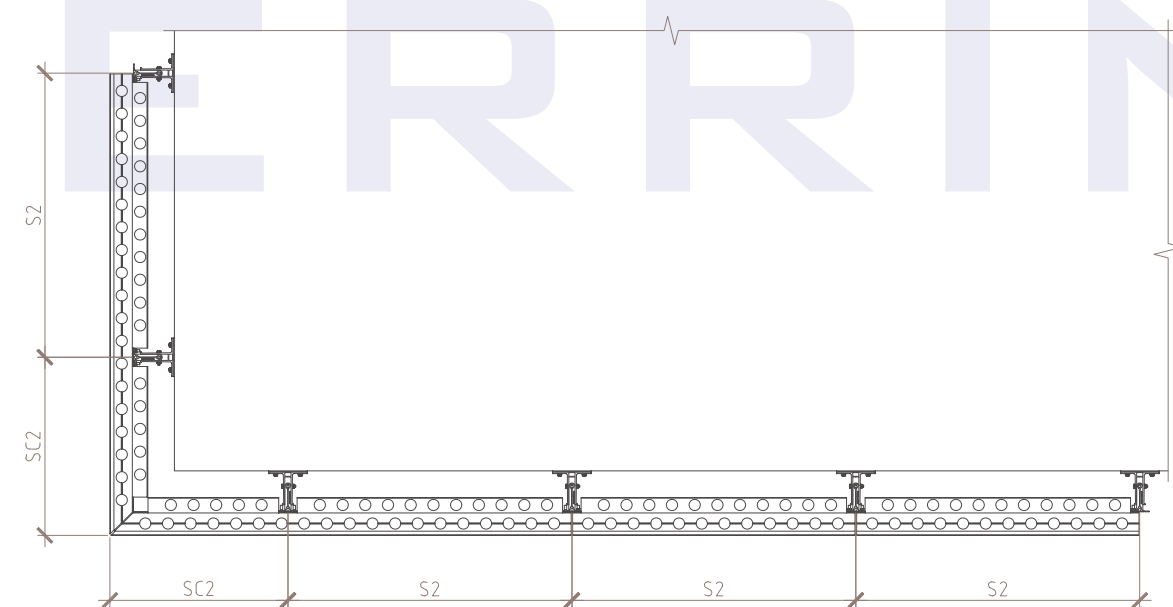
FRONT VIEW



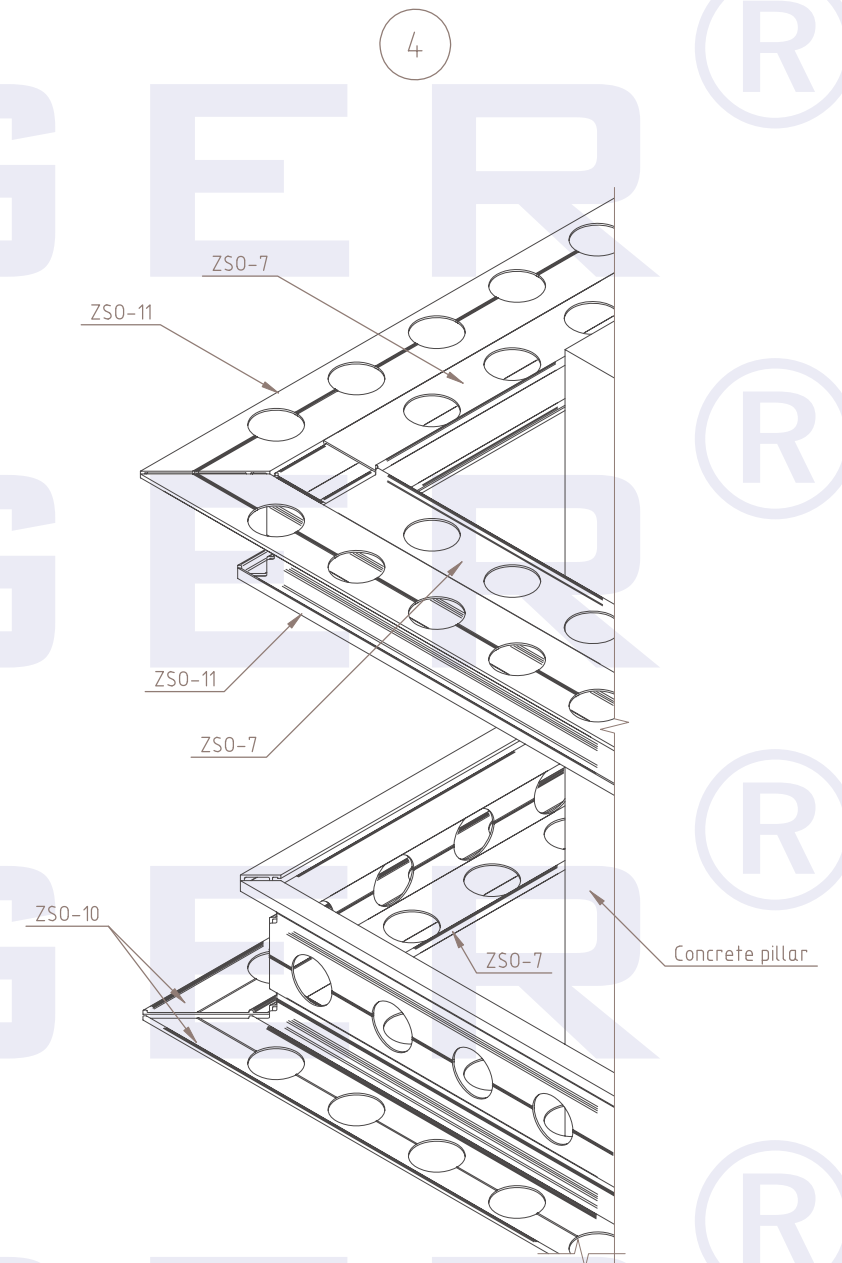
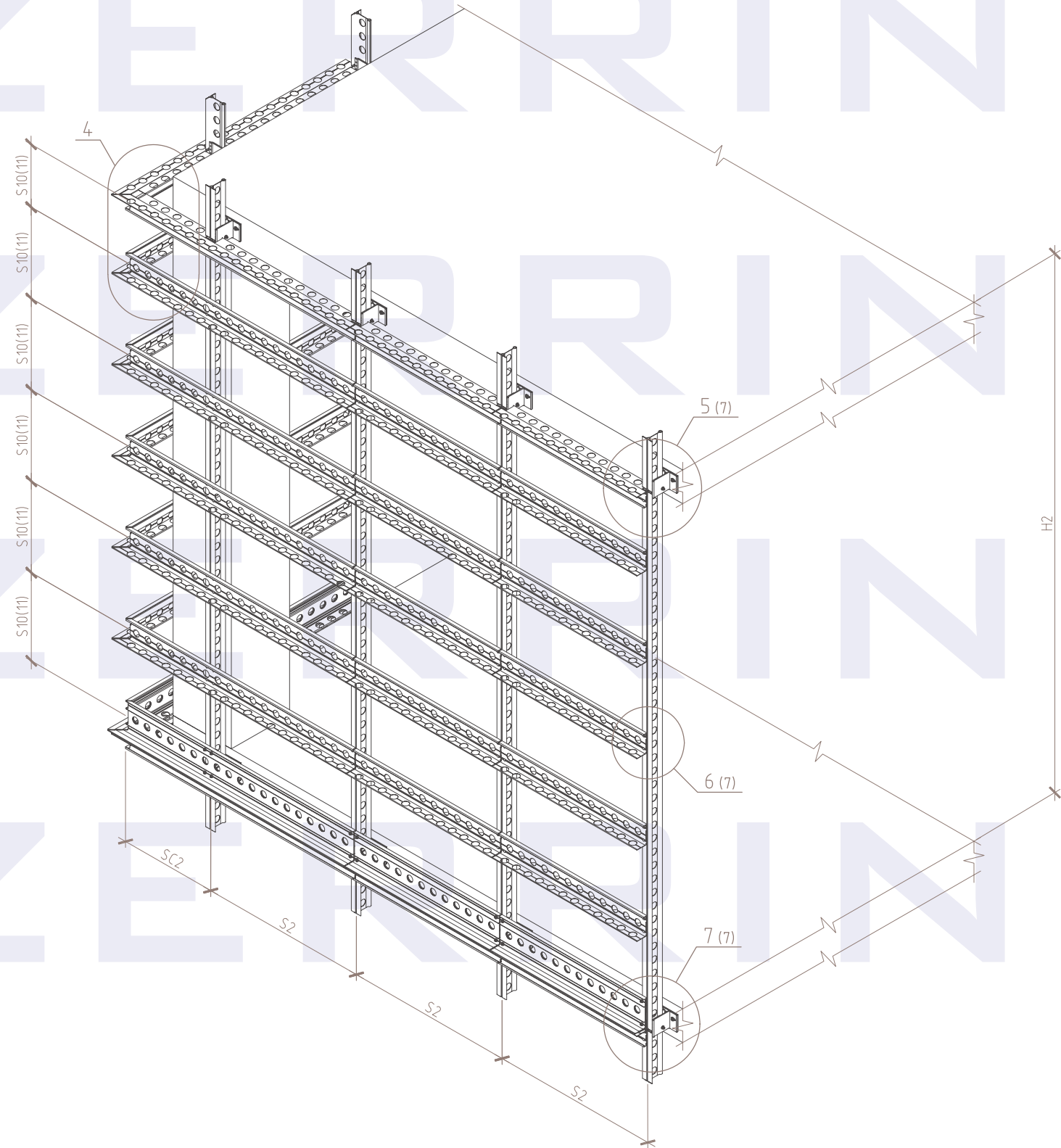
ELEVATION VIEW



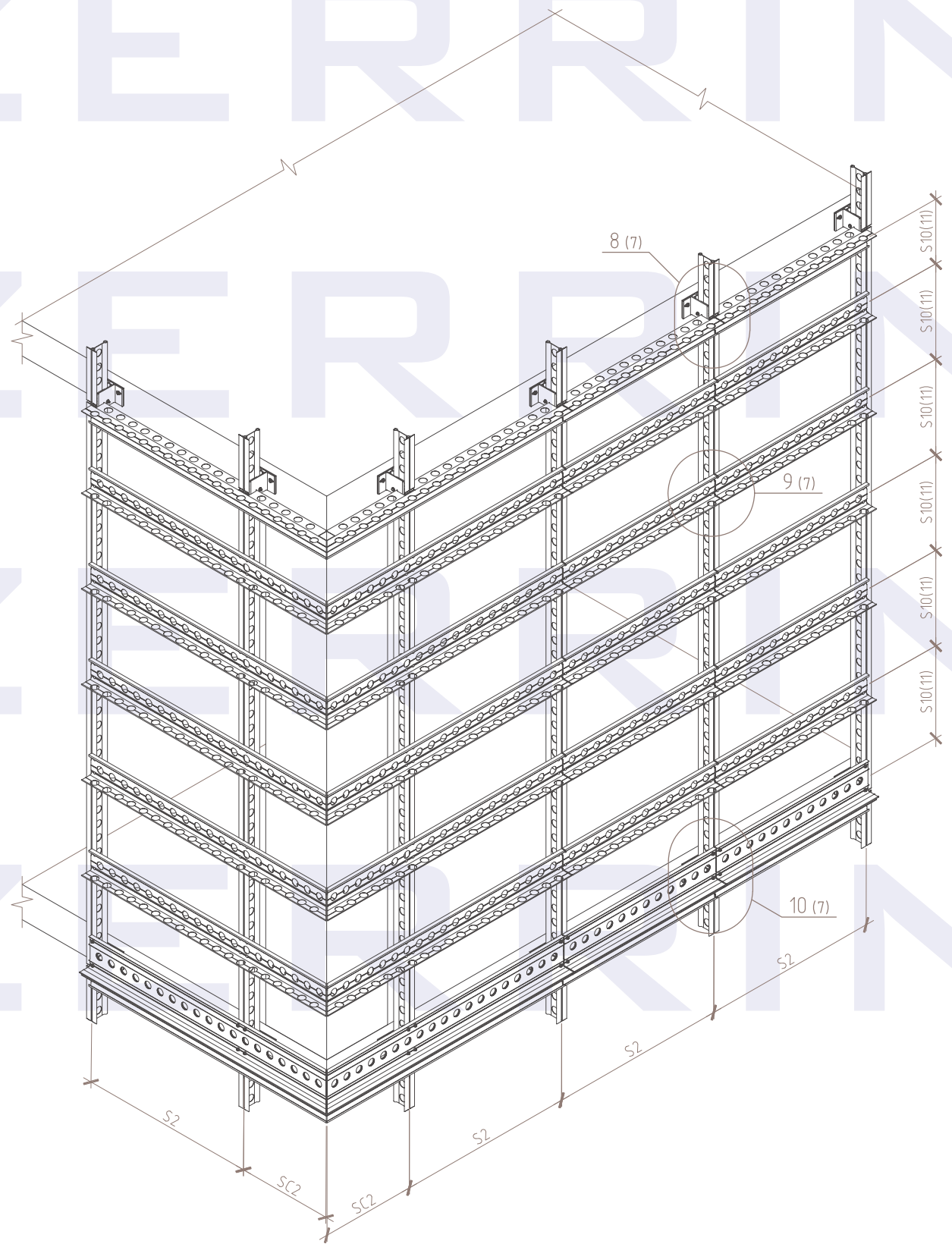
TOP VIEW



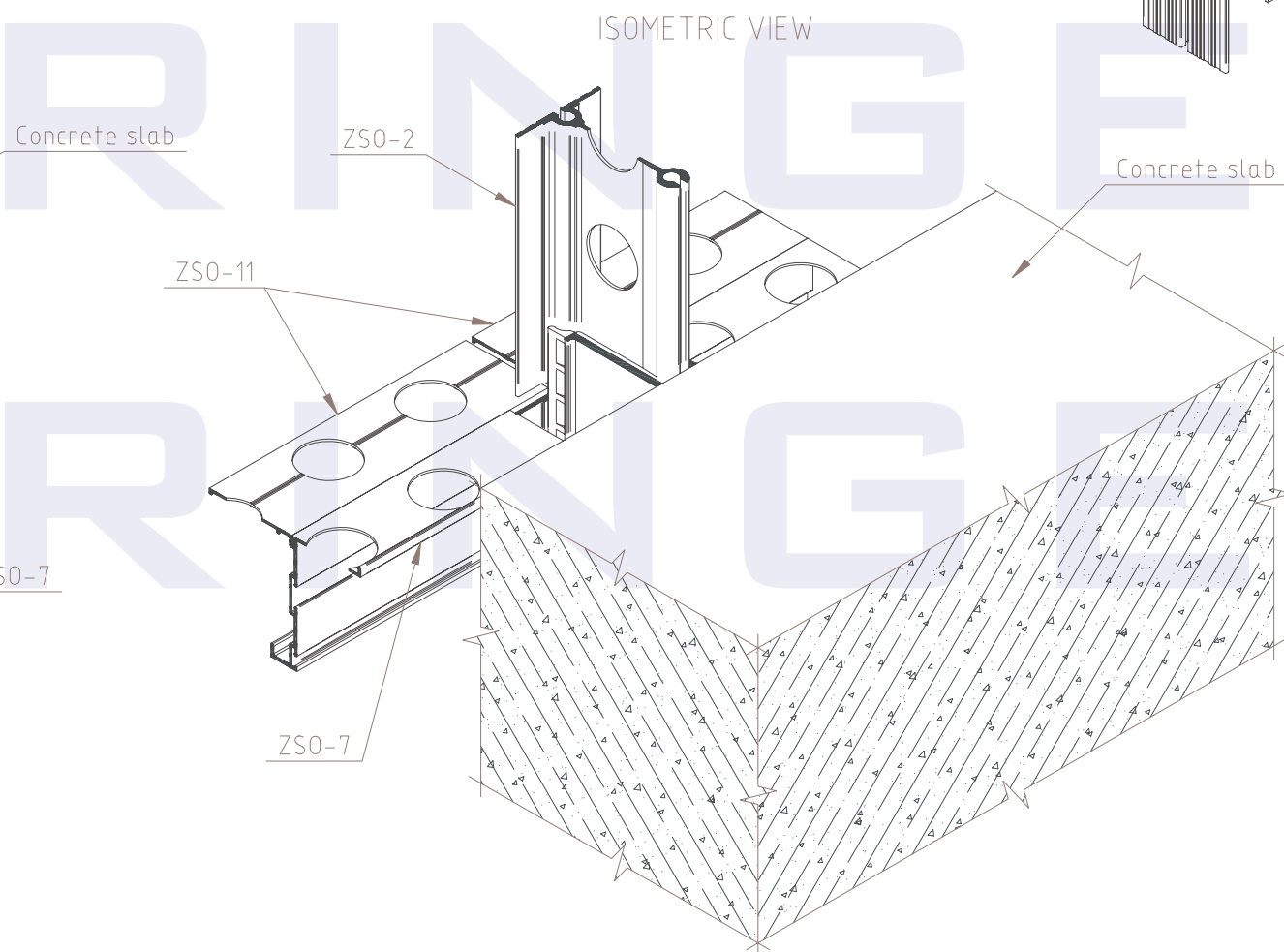
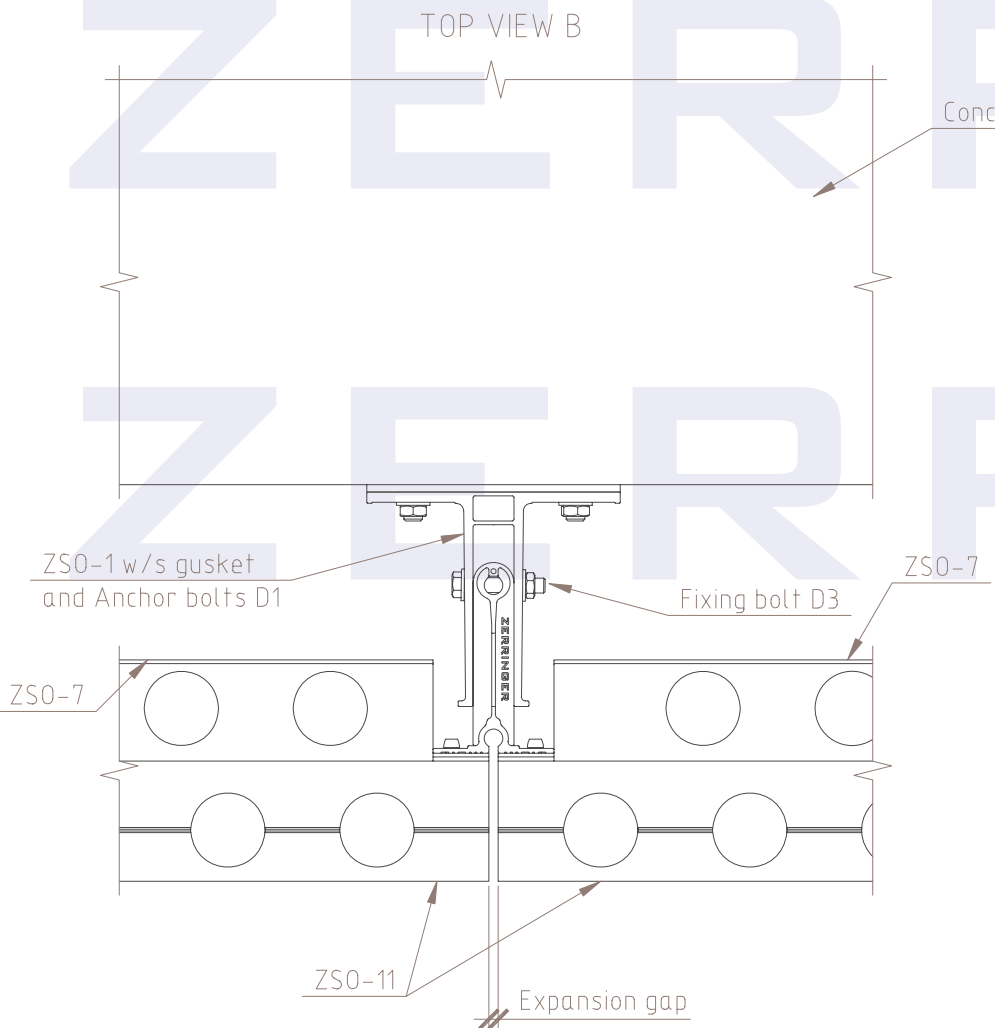
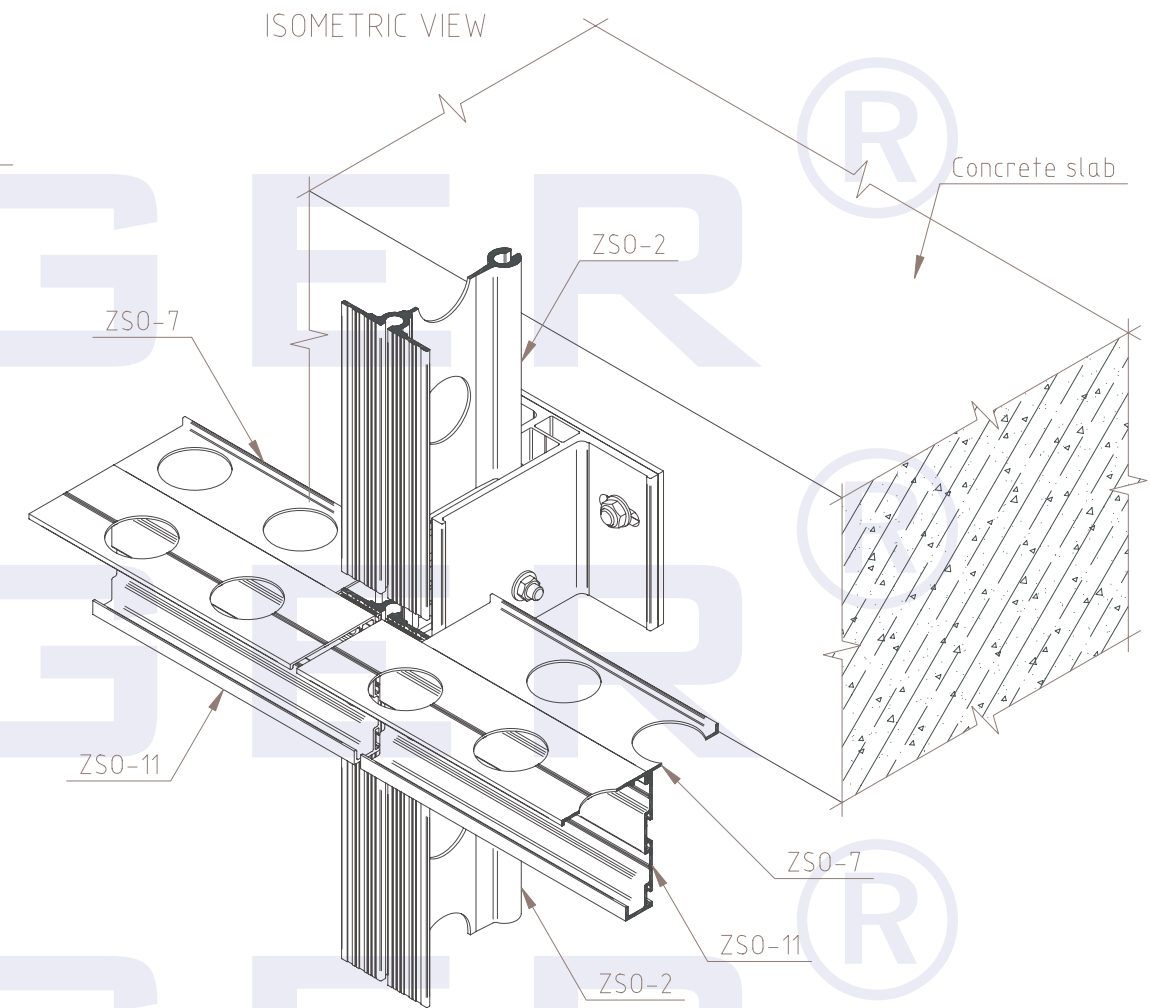
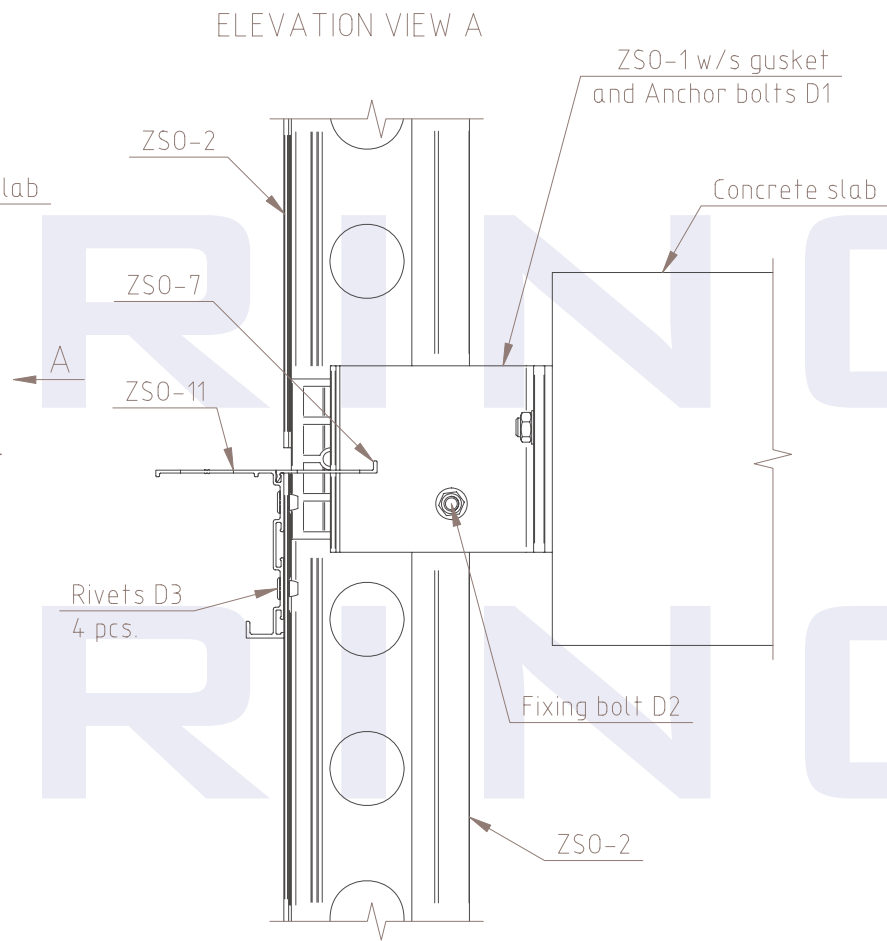
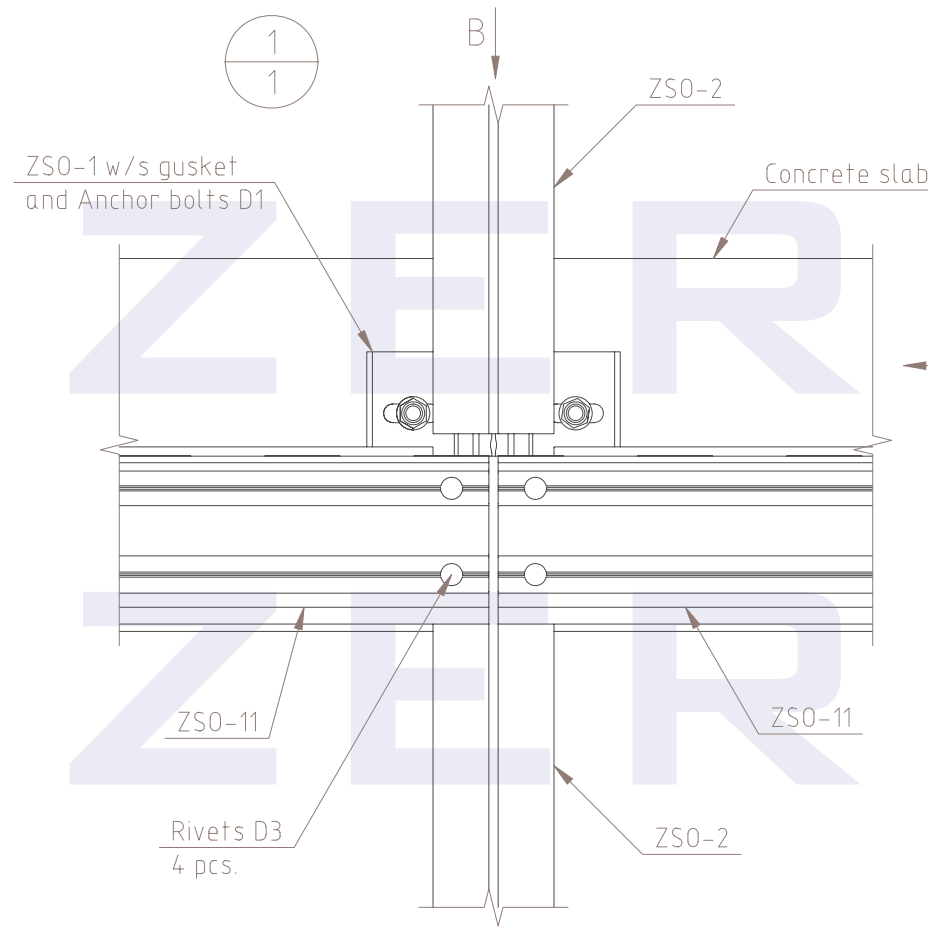
ISOMETRIC VIEW



ISOMETRIC VIEW



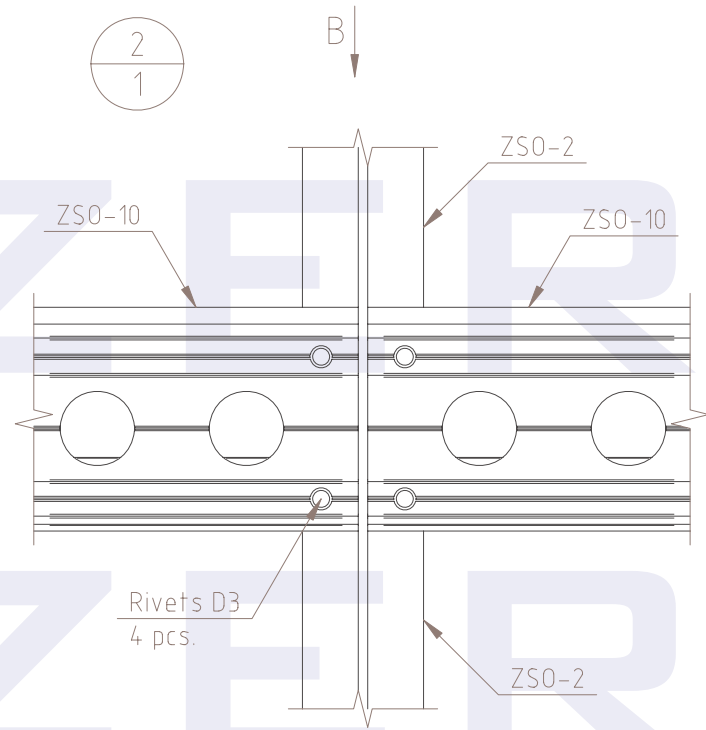
Limestone. Frame details



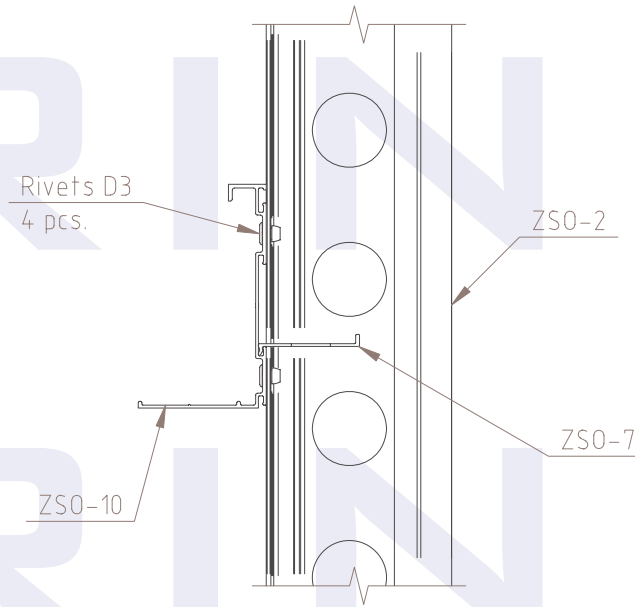
ZERRINGER

Limestone. Frame details

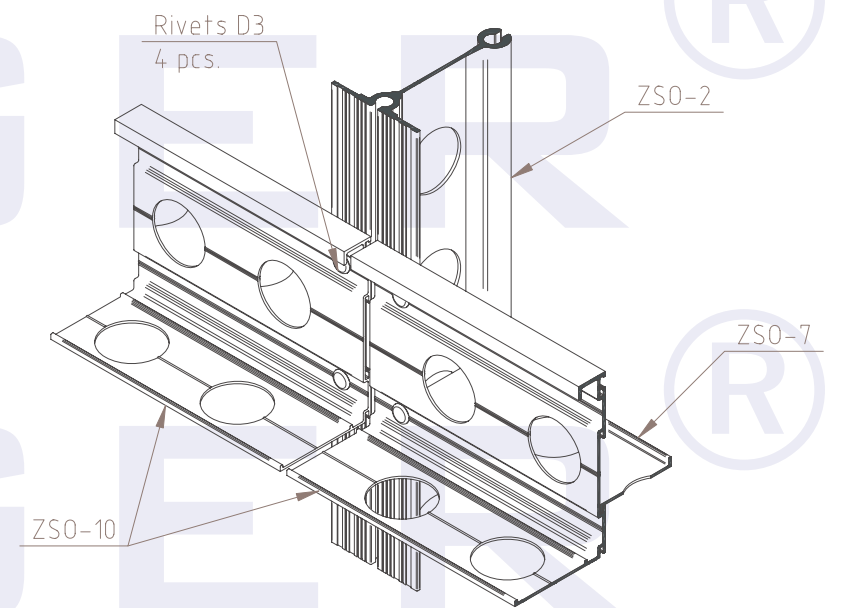
2
1



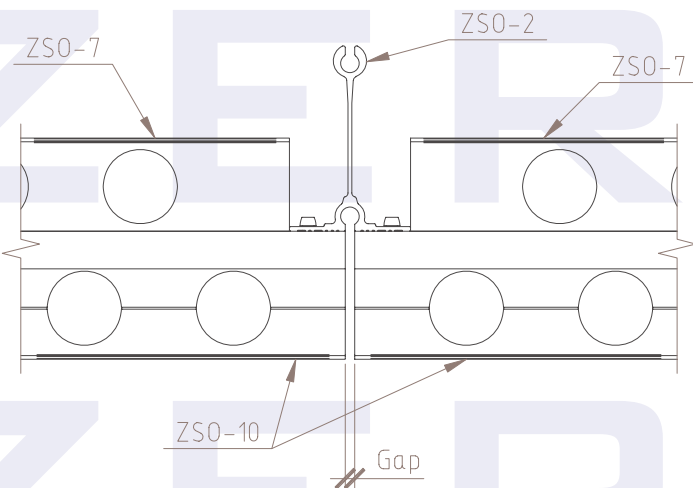
ELEVATION VIEW A



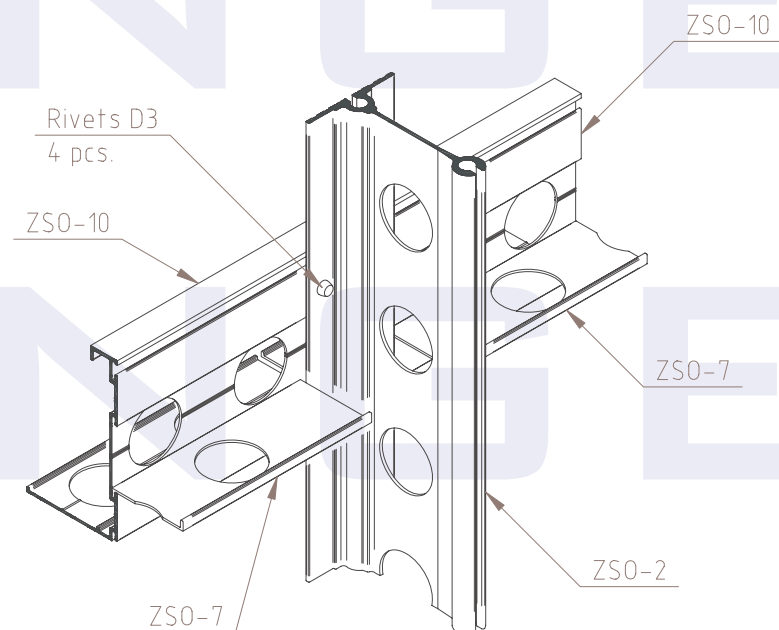
ISOMETRIC FRONT VIEW



TOP VIEW B



ISOMETRIC BACK VIEW



Fixing detail (D3)

Fixing method:

- blind rivets
- thread cutting screws

Rivets (according to stress calculations) -

- 4.8 - Al(Mg 3.5)-ST DIN 7337;
- 6.0 - Al(Mg 3.5)-stainless steel AISI 304 DIN 7337.

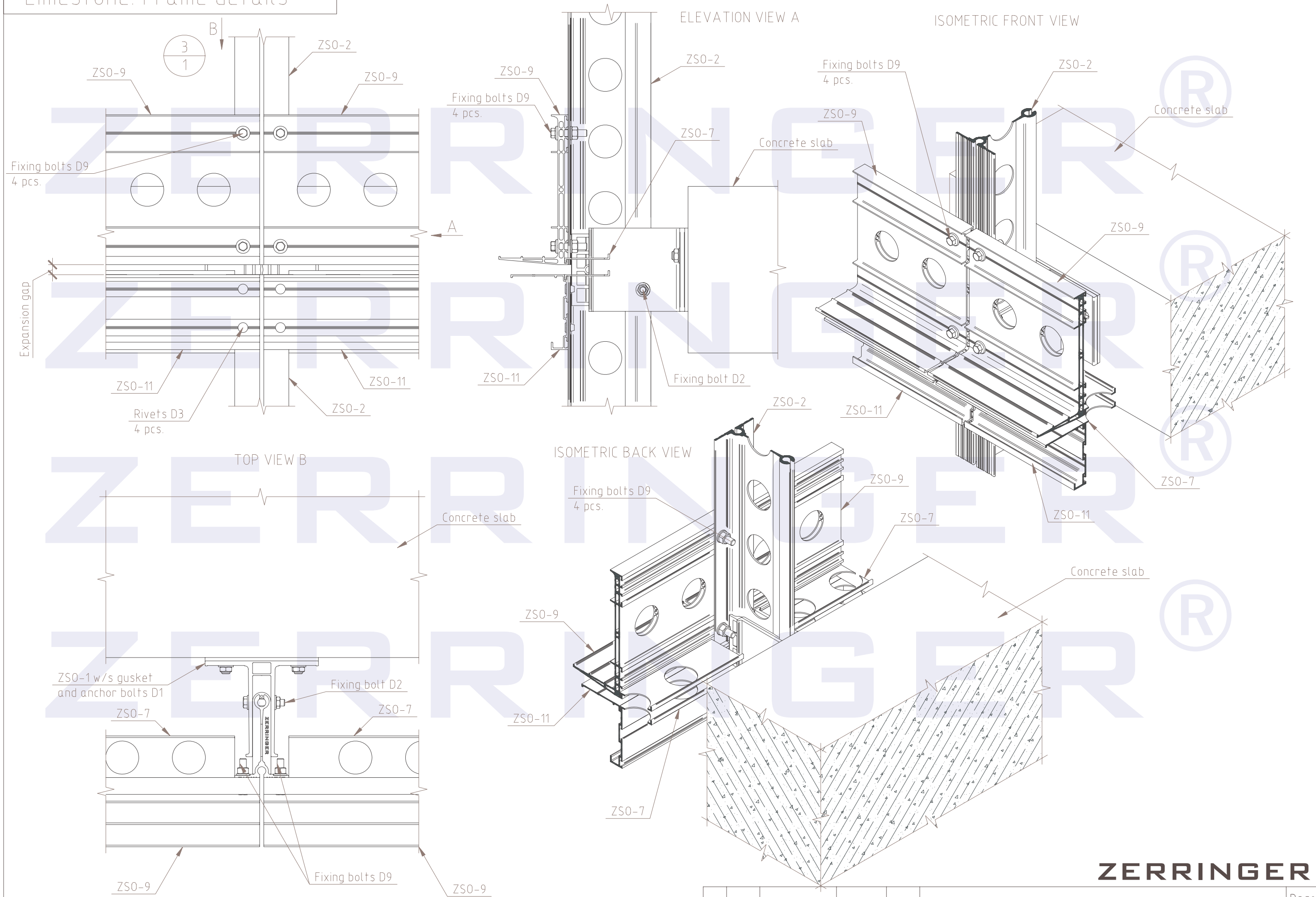
Self-tapped bolts - TEX 4.8x13, 4.2x16 DIN 7504 N

Anchors - HILTI HIT-RE 500 - HAS (HAS-5.8, ISO 898 T1, galvanize min 5 mkm, HAS-R stainless steel A4-70; 1.4401, 1.4404, 1.4571).

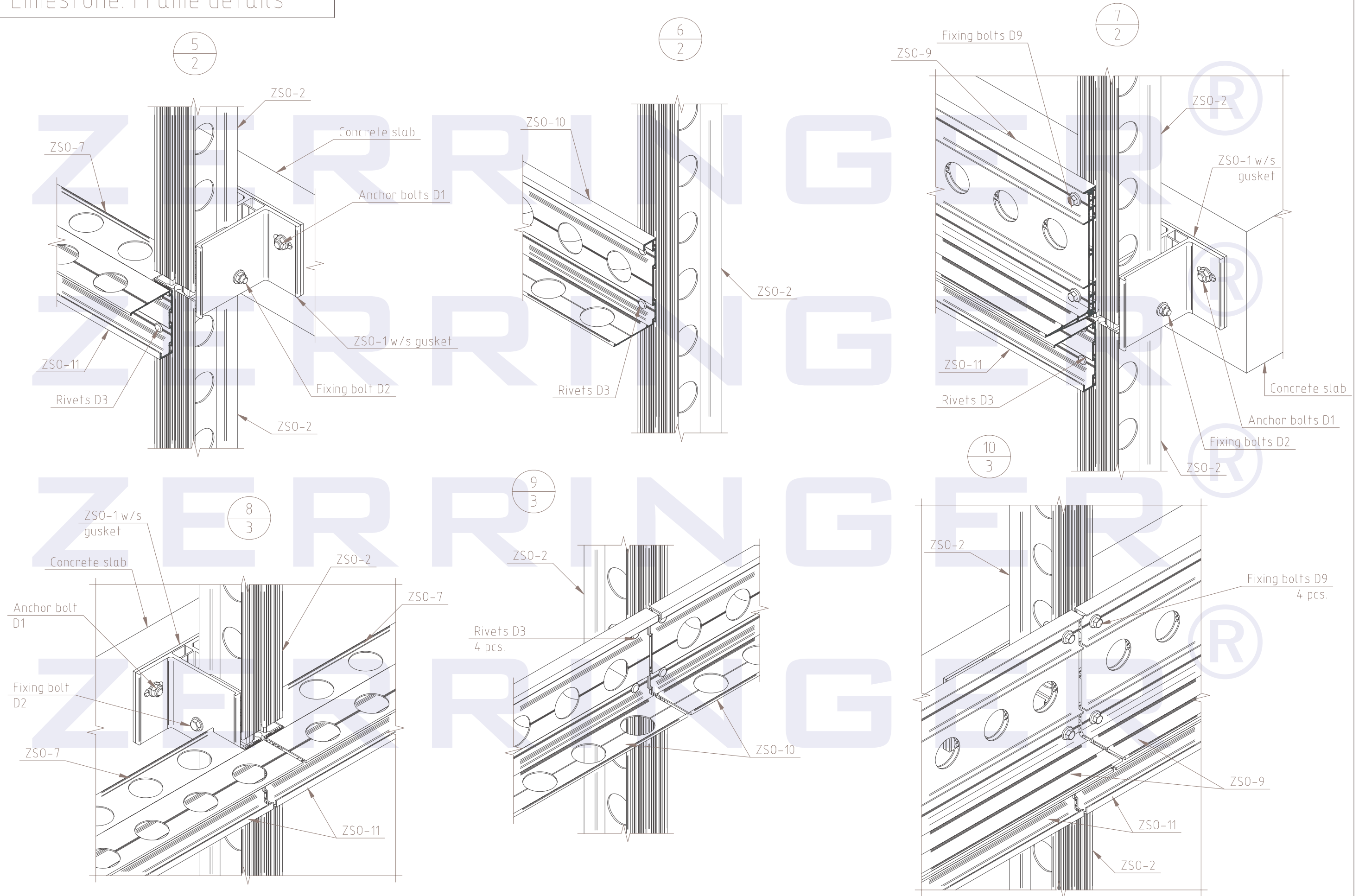
See also developer's recommendation.

ZERRINGER

Limestone. Frame details

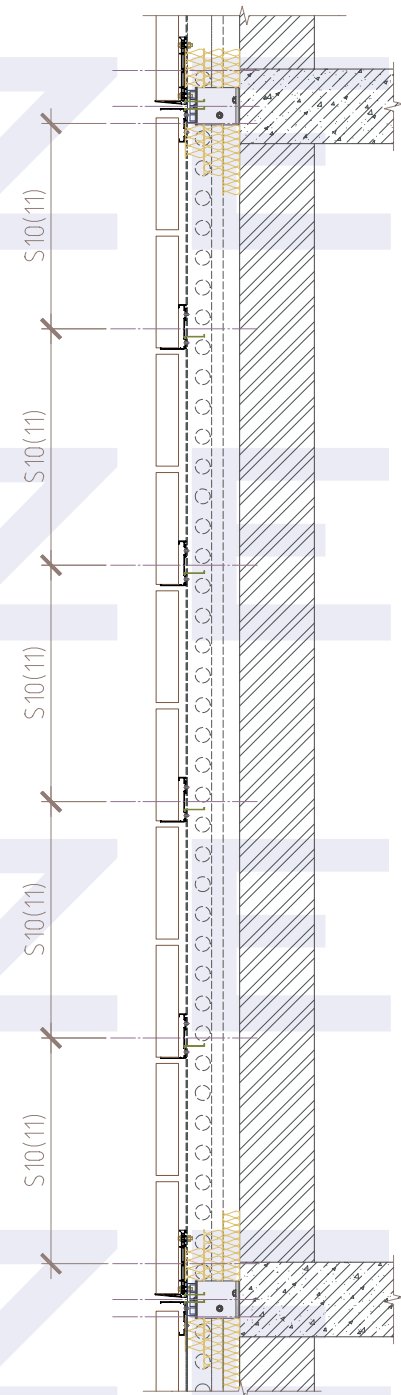


Limestone. Frame details

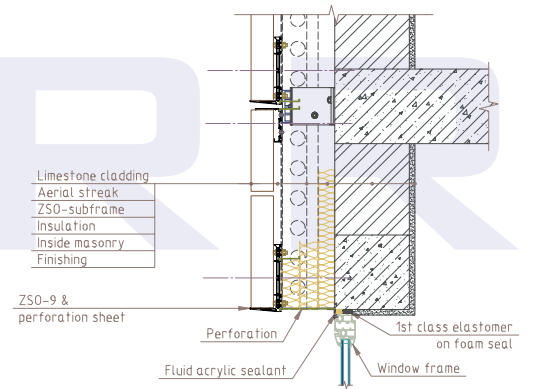


ZERRINGER

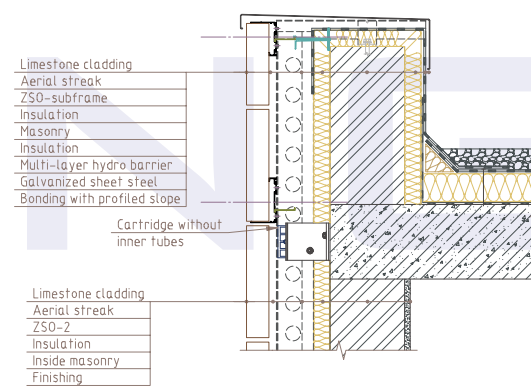
ELEVATION VIEW (blank wall)



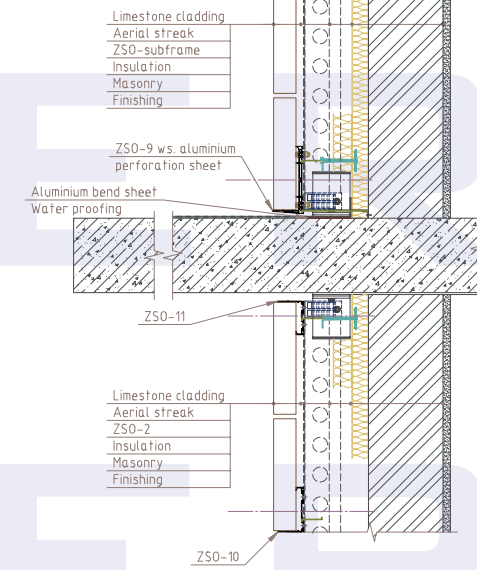
ELEVATION VIEW (wall with window opening)



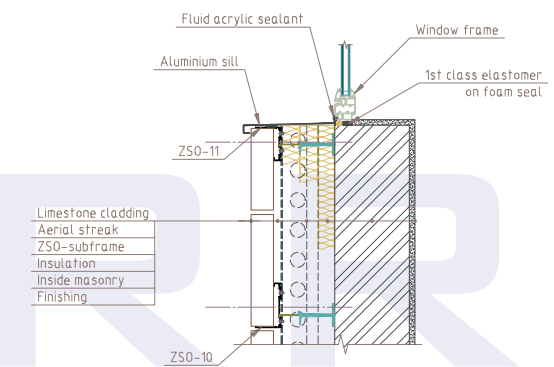
ELEVATION VIEW (parapet)



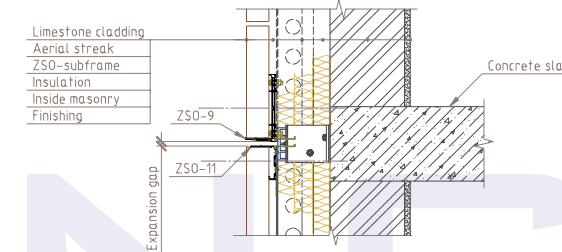
ELEVATION VIEW (balcony)



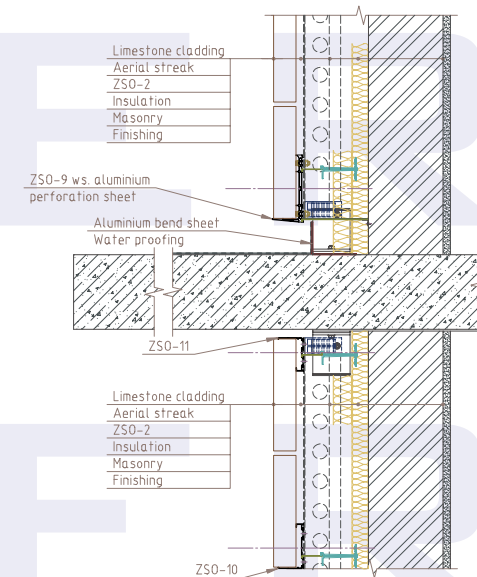
ELEVATION VIEW (wall with window opening)



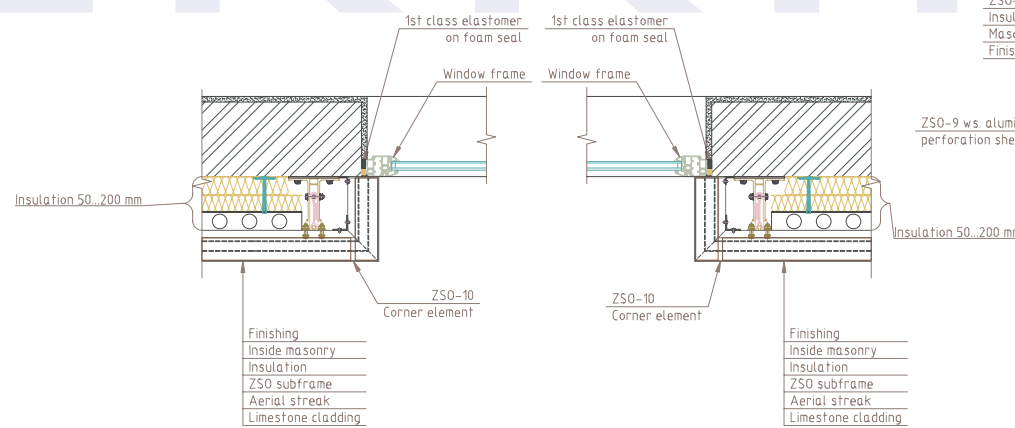
ELEVATION VIEW (overlapping detail)



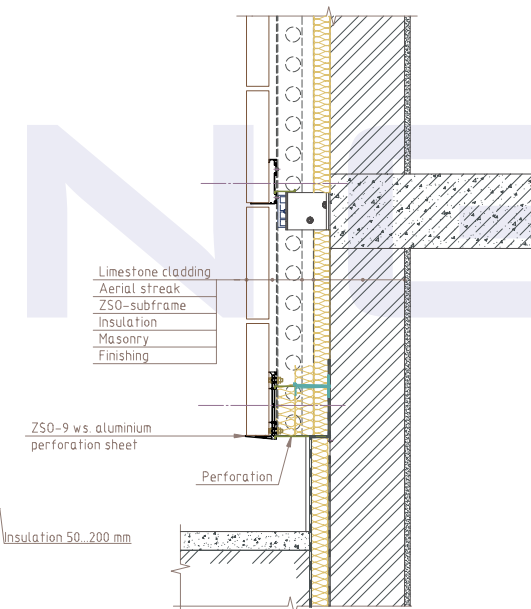
ELEVATION VIEW (balcony) - variant



TOP VIEW (window opening)



ELEVATION VIEW (basement)



TOP VIEW - external corner

TOP VIEW - internal corner

