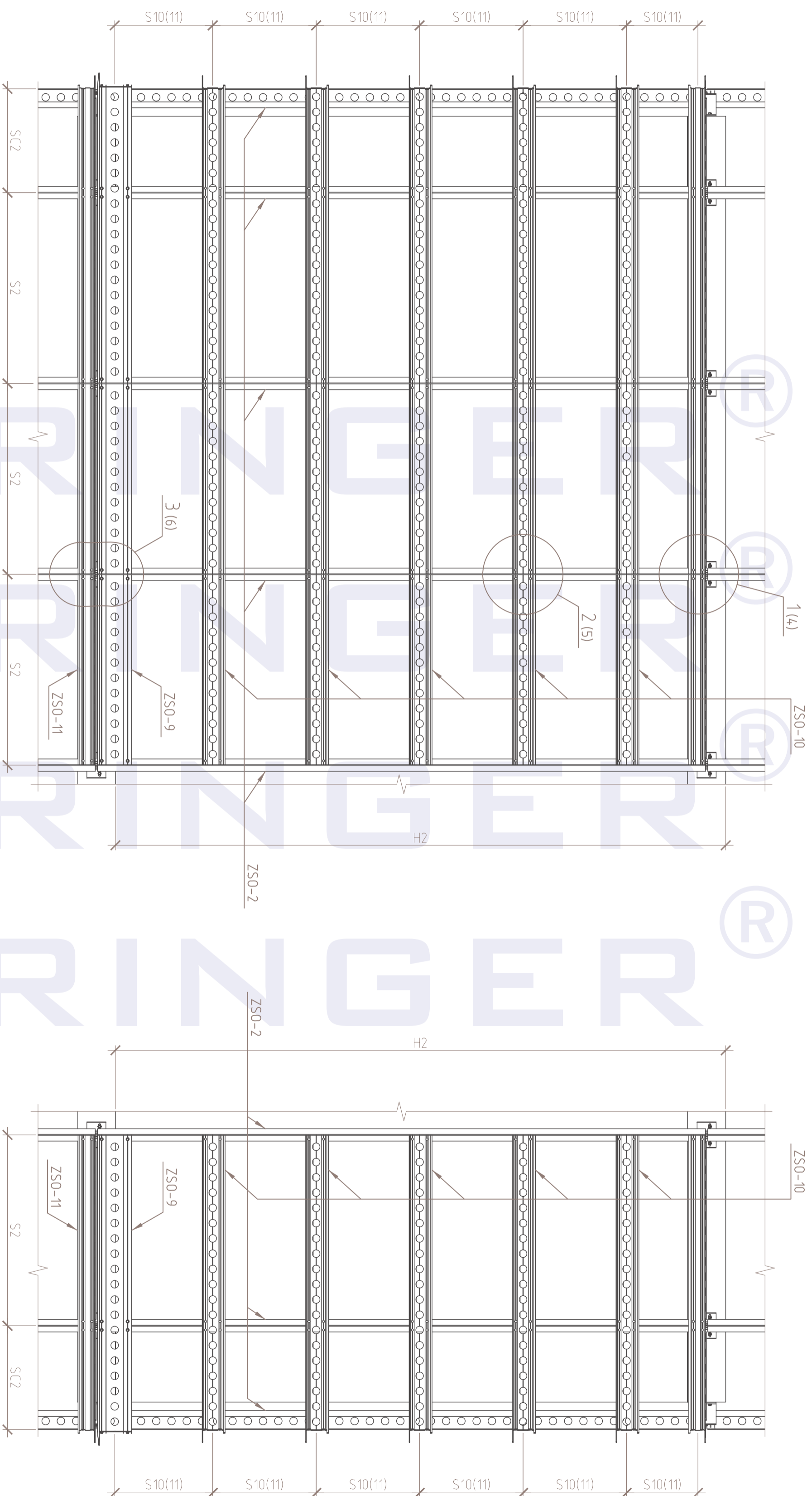
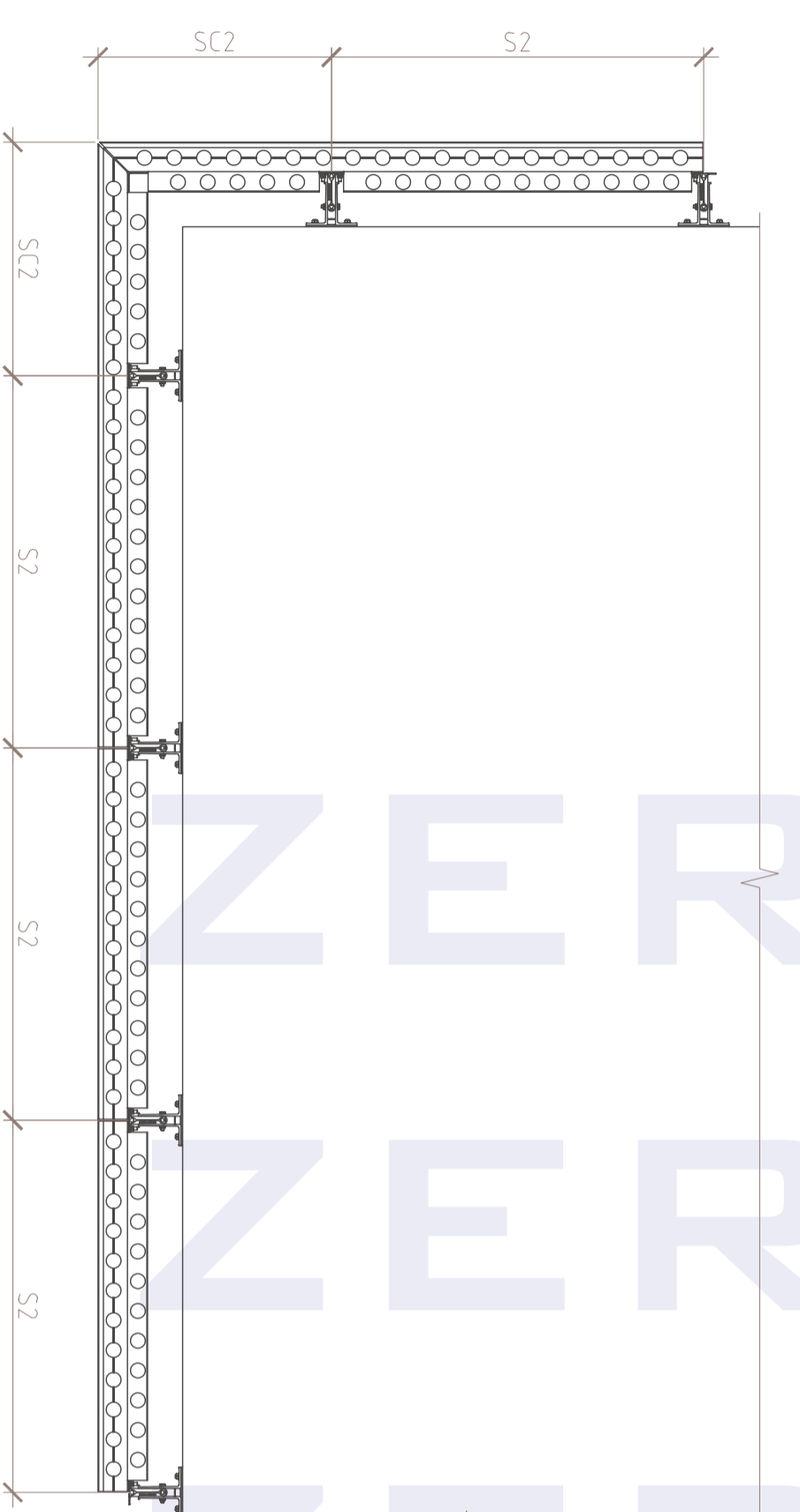


FRONT VIEW

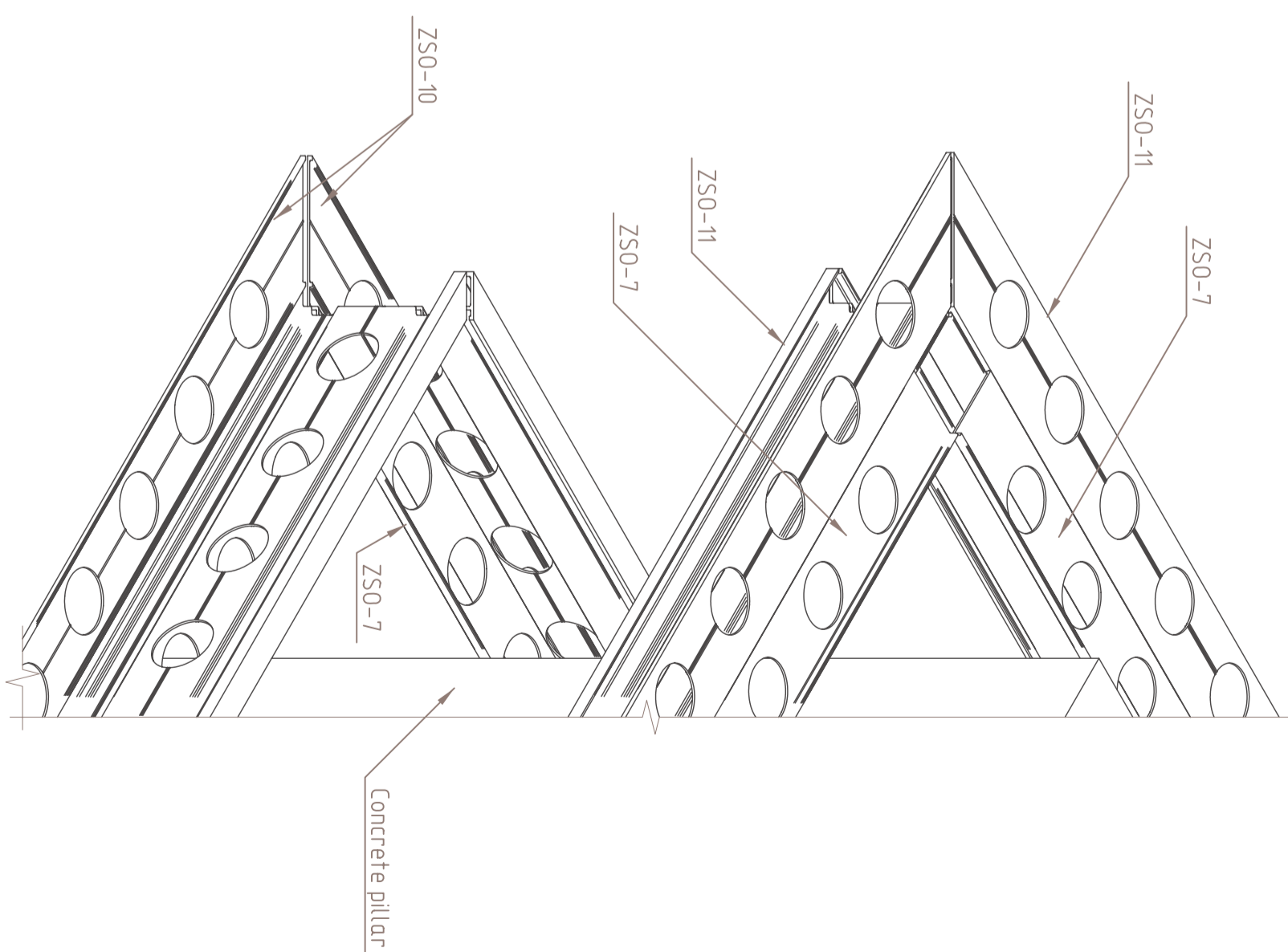
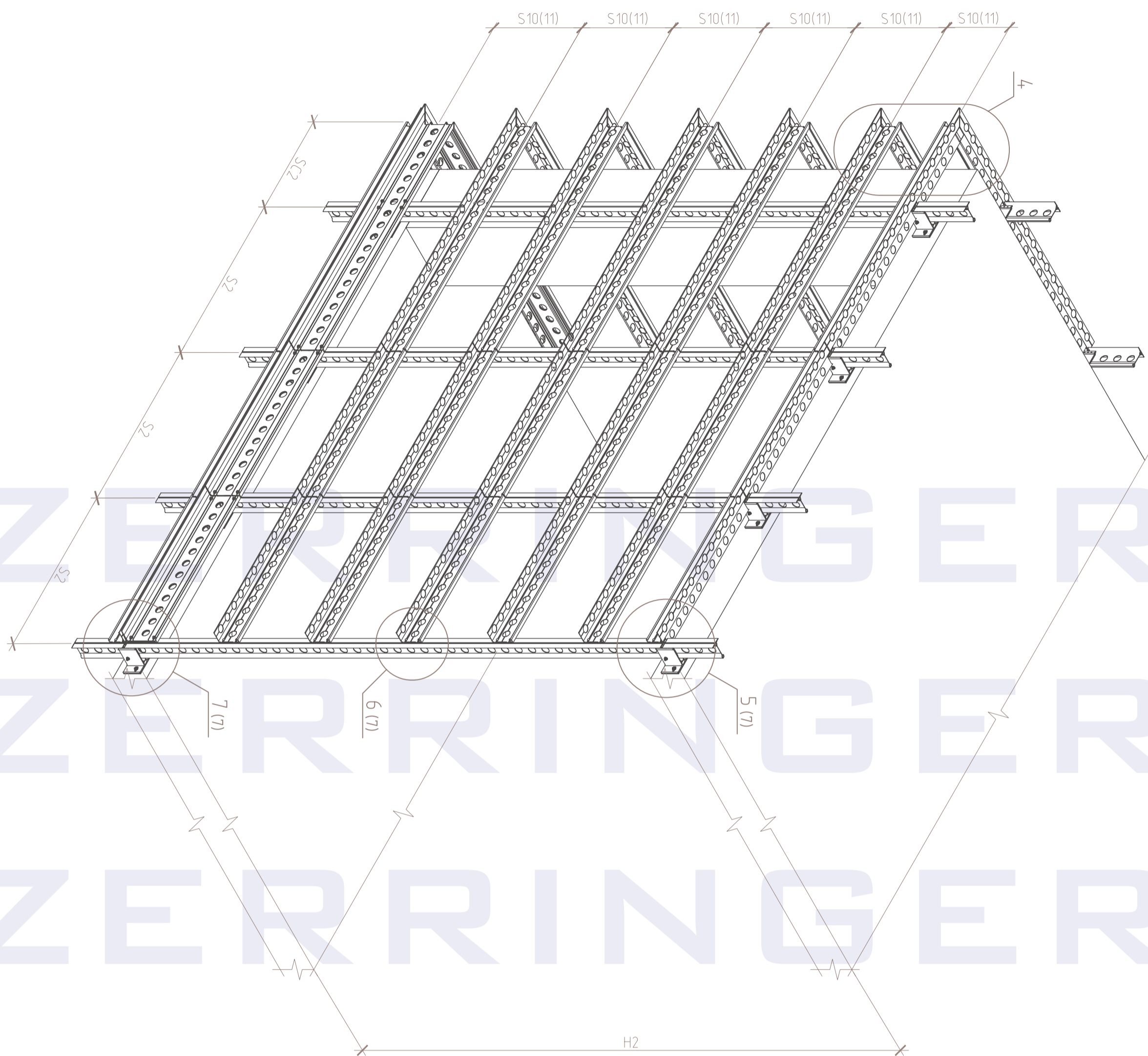


ELEVATION VIEW

TOP VIEW



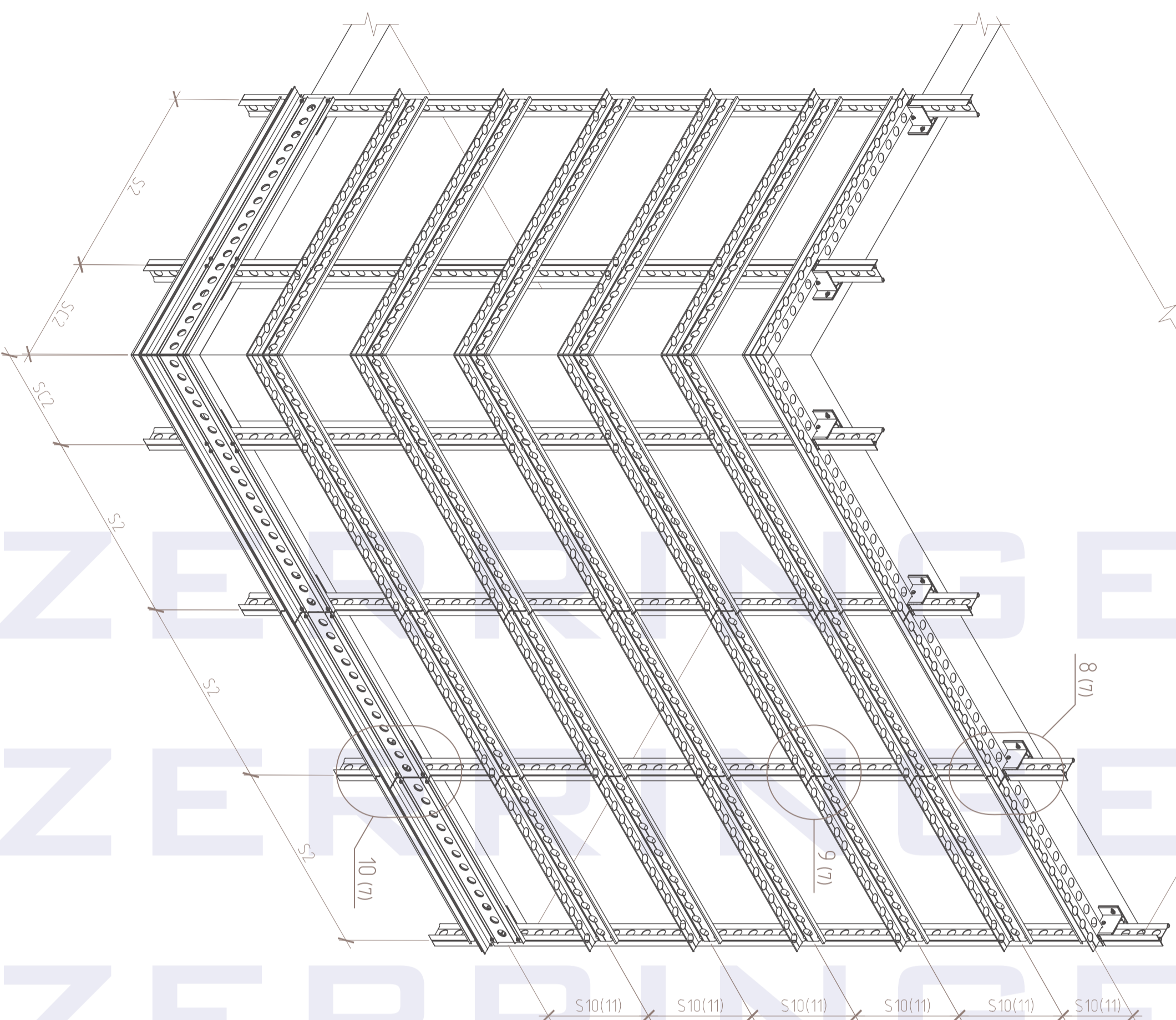
ISOMETRIC VIEW



4

ZERRINGER
ZERRINGER
ZERRINGER
ZERRINGER

ZERRINGER



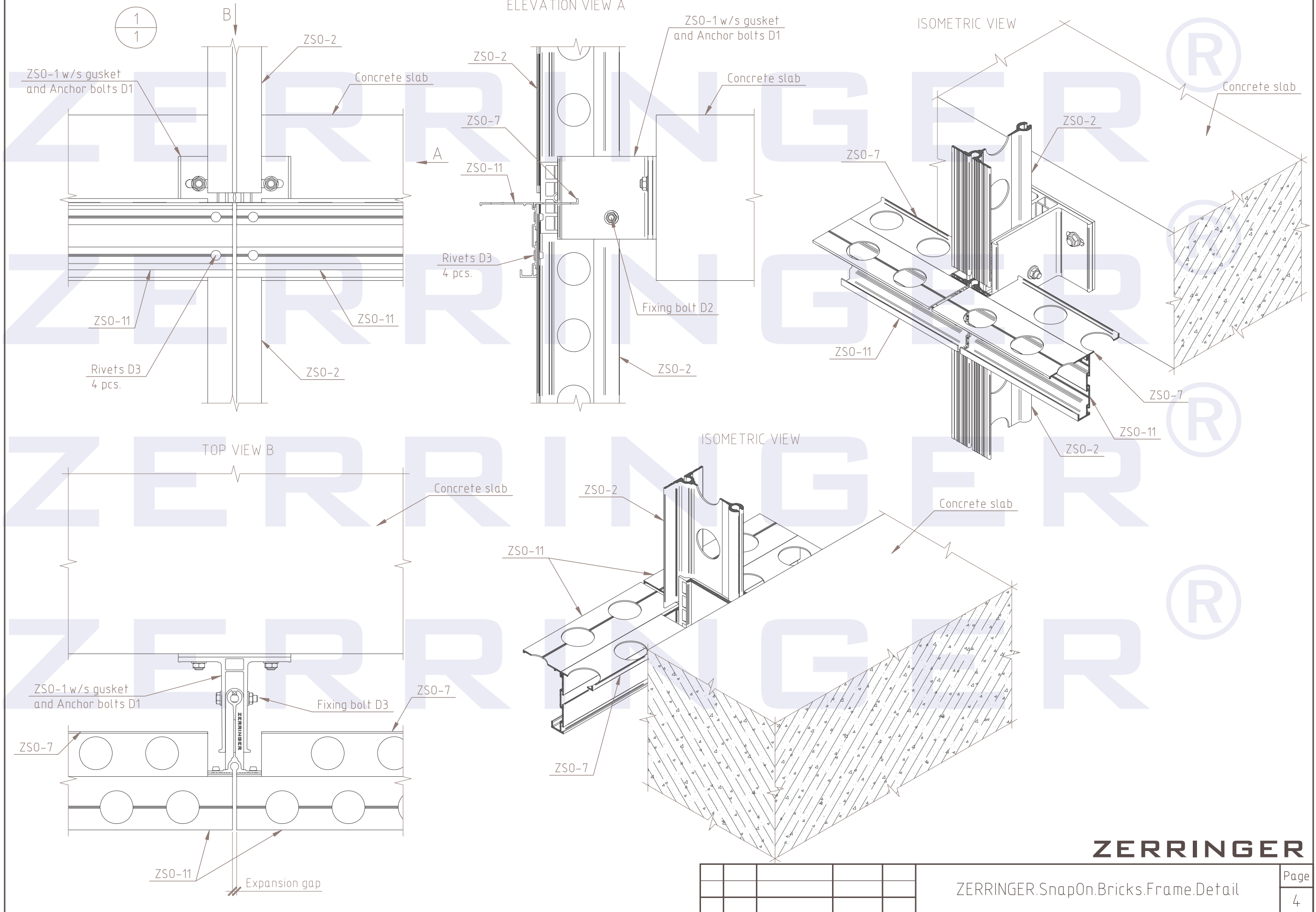
ISOMETRIC VIEW



ZERRINGER
ZERRINGER
ZERRINGER
ZERRINGER

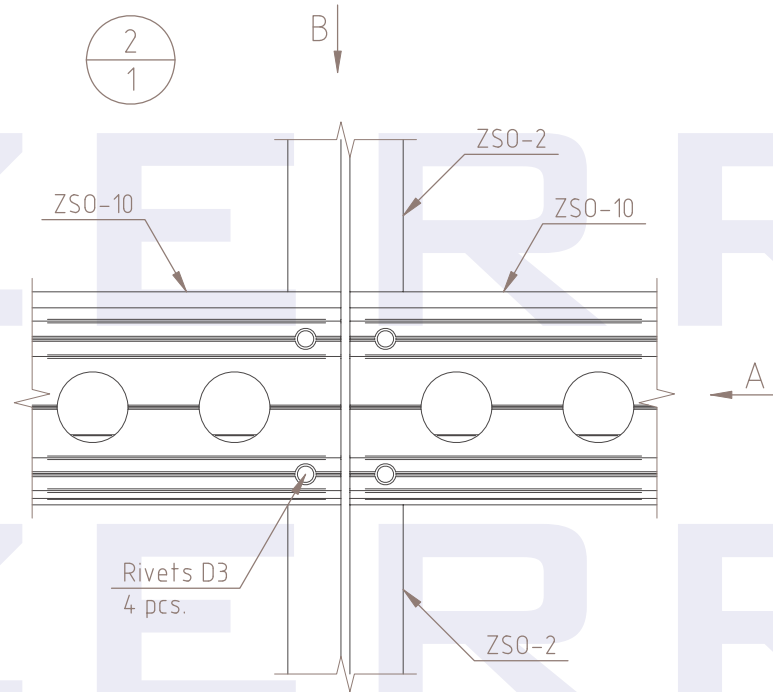
ZERRINGER

Bricks. Frame details



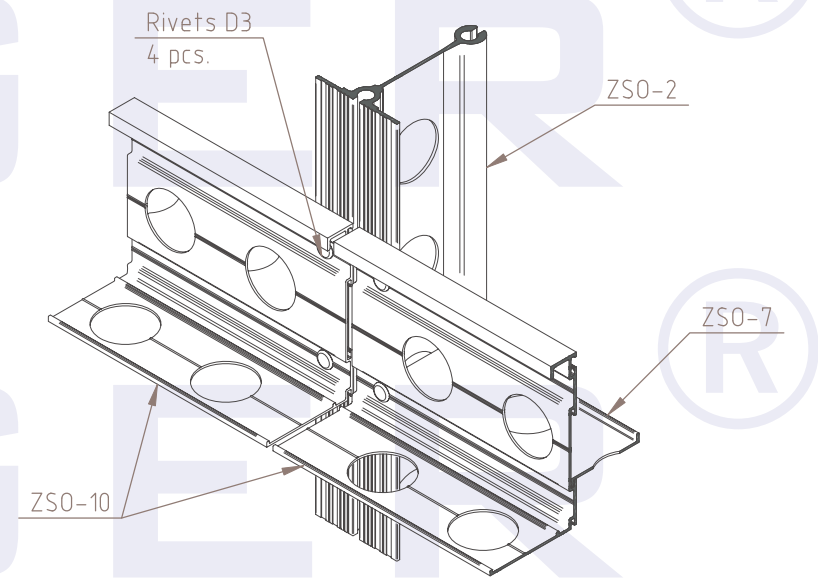
ZERRINGER

Bricks. Frame details

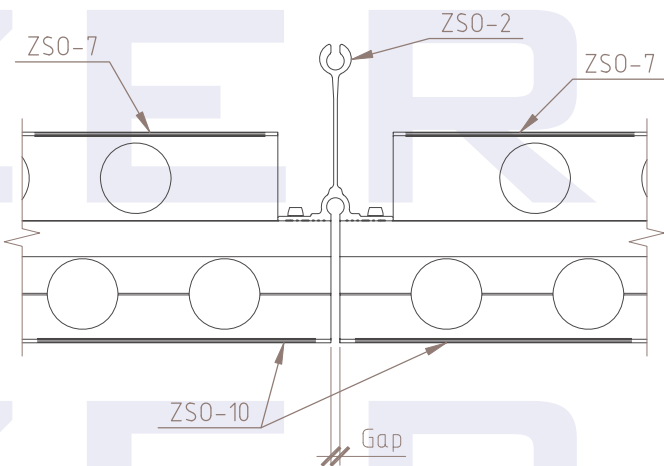


ELEVATION VIEW A

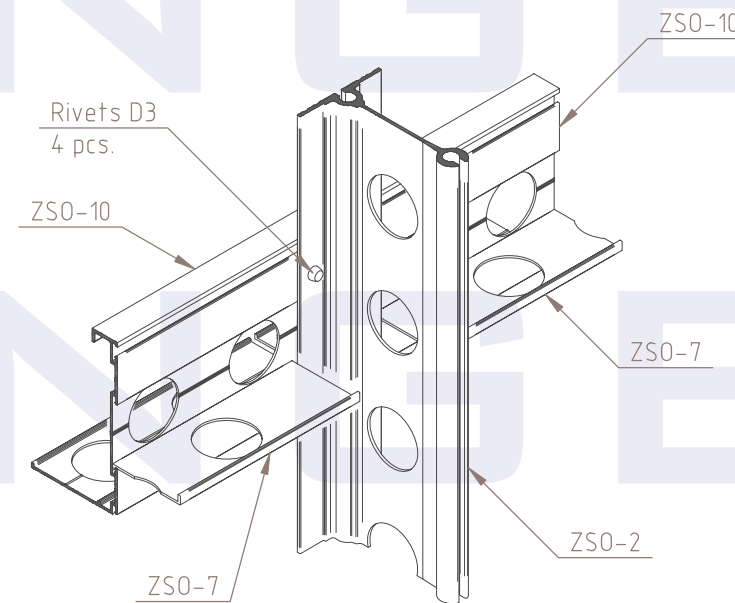
ISOMETRIC FRONT VIEW



TOP VIEW B



ISOMETRIC BACK VIEW



Fixing detail (D3)

Fixing method:

- blind rivets
- thread cutting screws

Rivets (according to stress calculations) -

- 4.8 - Al(Mg 3.5)-ST DIN 7337;
- 6.0 - Al(Mg 3.5)-stainless steel AISI 304 DIN 7337.

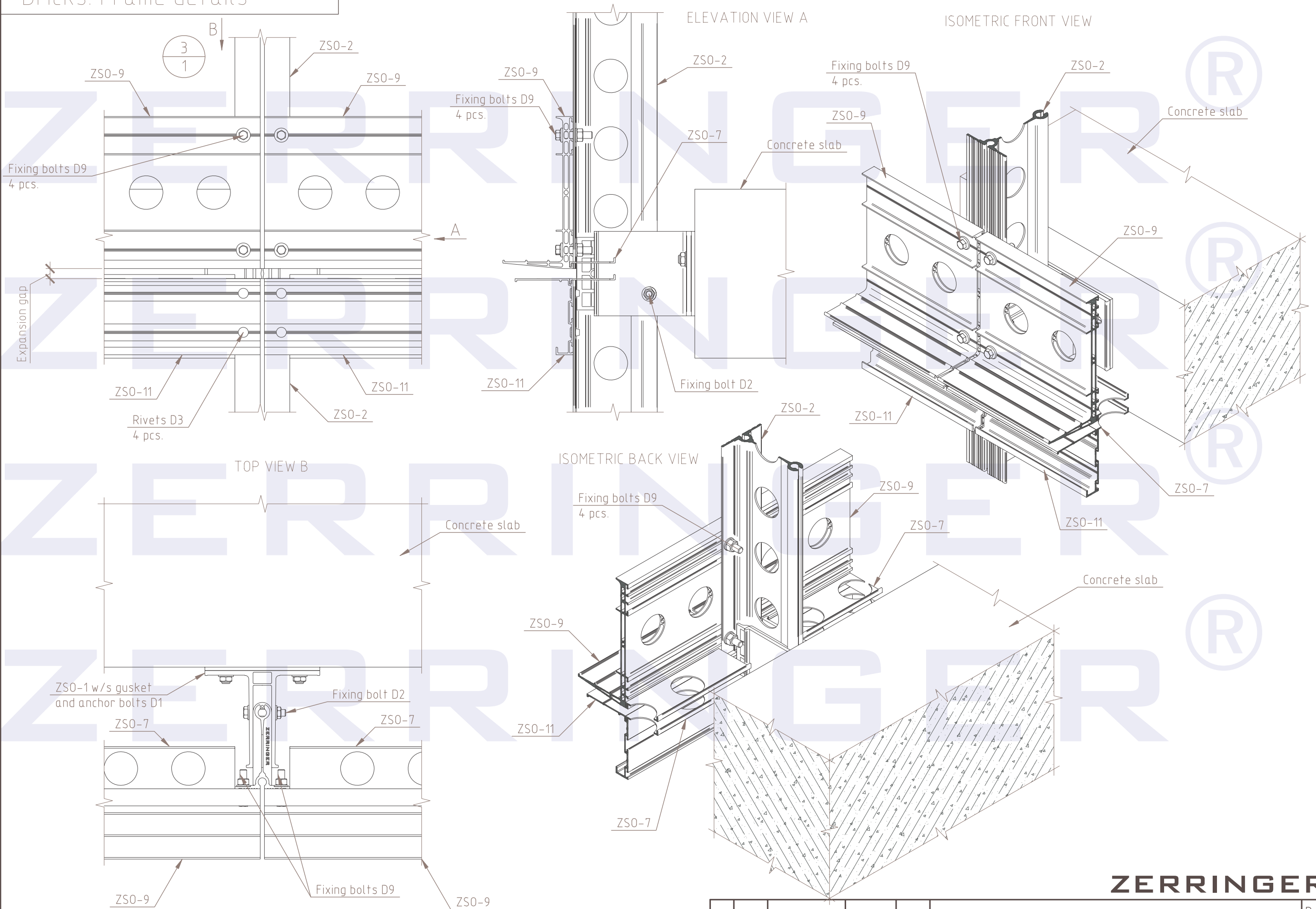
Self-tapped bolts - TEX 4.8x13, 4.2x16 DIN 7504 N

Anchors - HILTI HIT-RE 500 - HAS (HAS-5.8, ISO 898 T1, galvanize min 5 mkm, HAS-R stainless steel A4-70; 1.4401, 1.4404, 1.4571).

See also developer's recommendation.

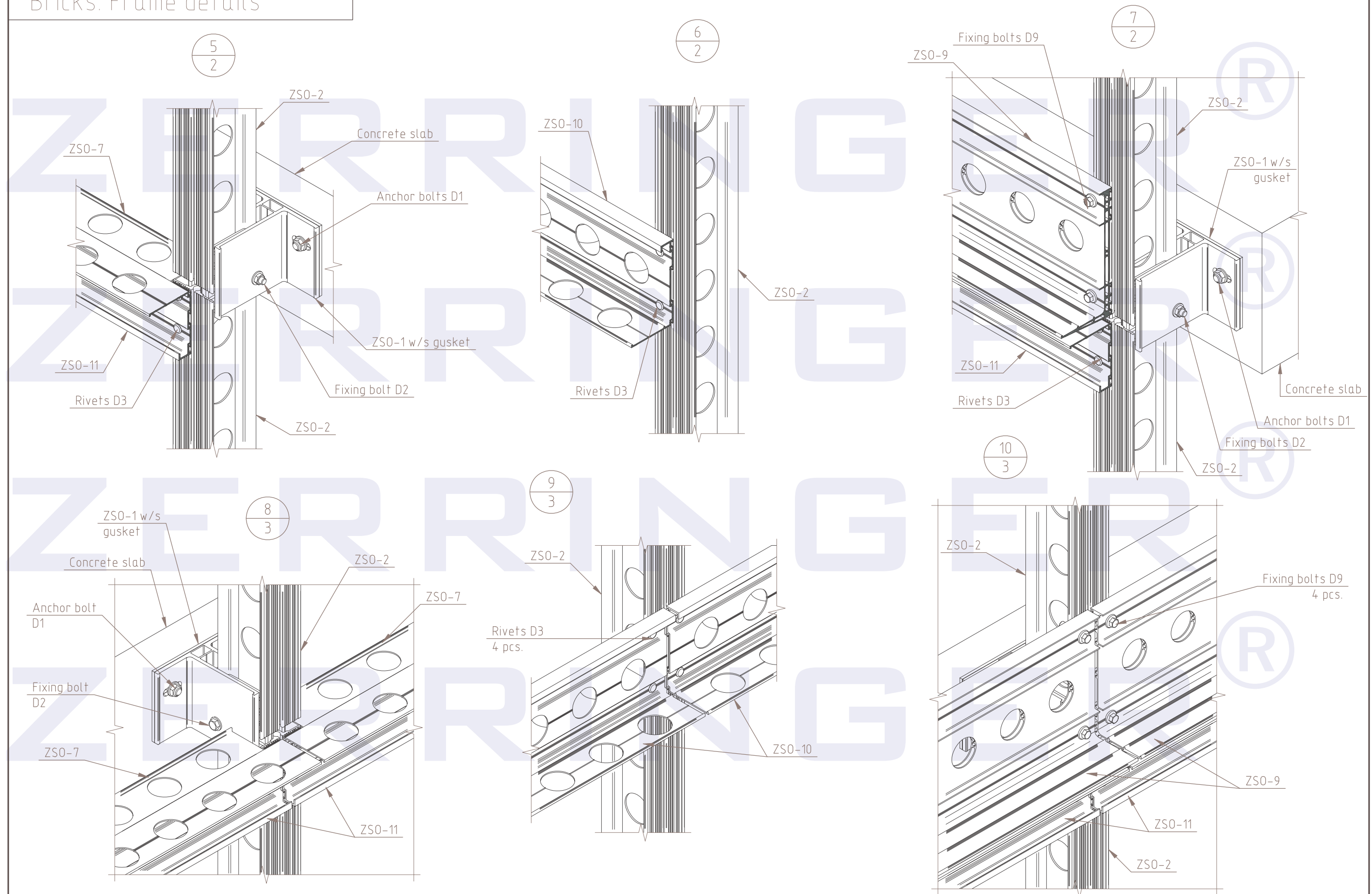
ZERRINGER

Bricks. Frame details



ZERRINGER

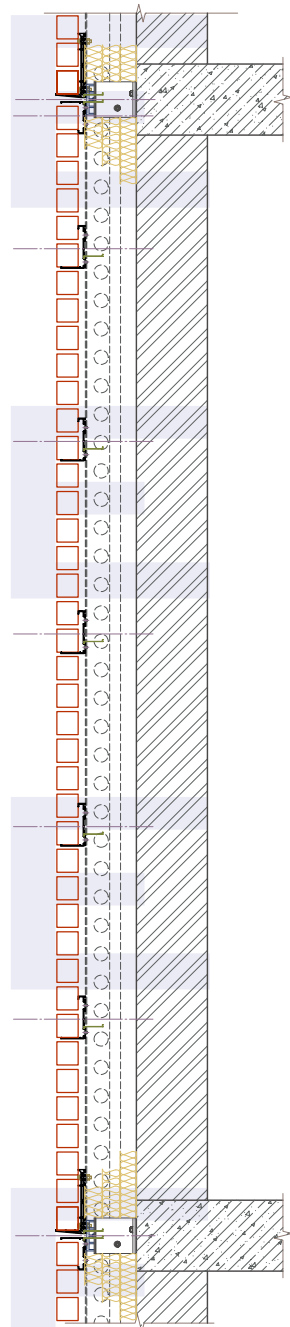
Bricks. Frame details



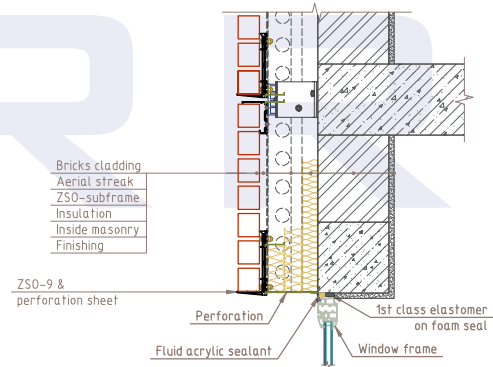
ZERRINGER

Bricks. Frame details

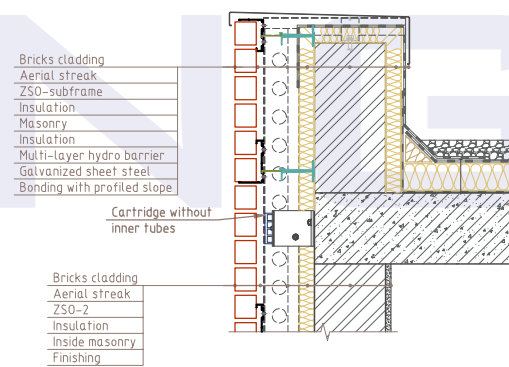
ELEVATION VIEW (blank wall)



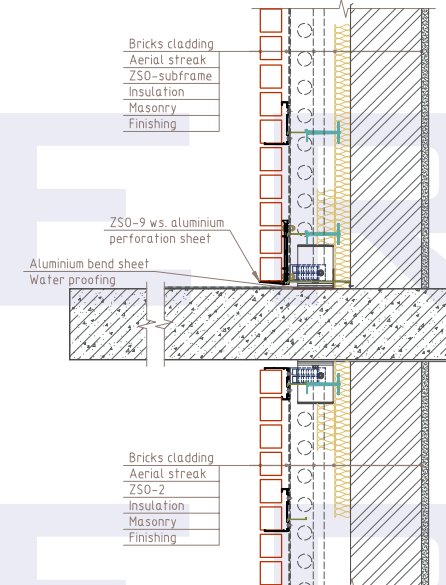
ELEVATION VIEW (wall with window opening)



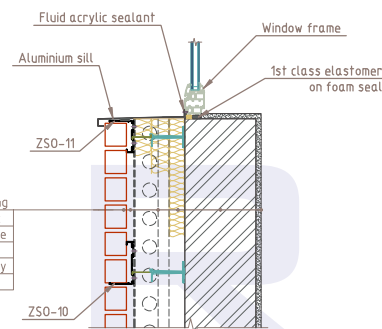
ELEVATION VIEW (parapet)



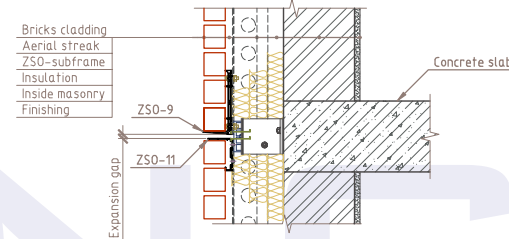
ELEVATION VIEW (balcony)



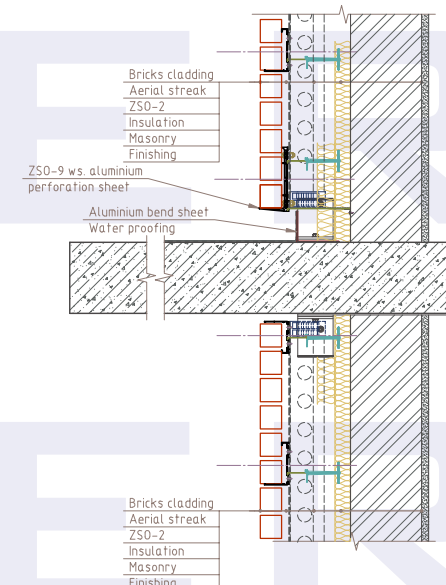
ELEVATION VIEW (wall with window opening)



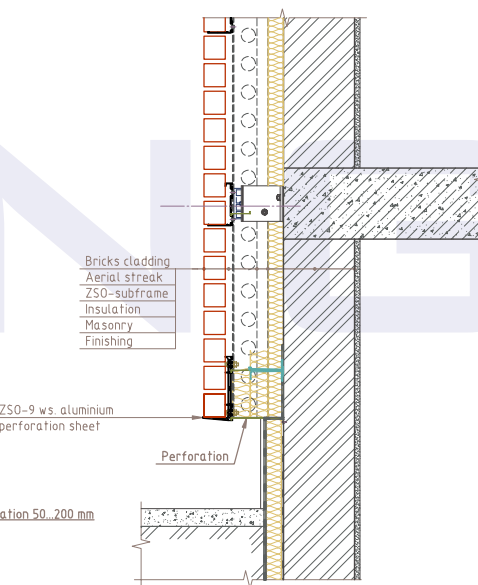
ELEVATION VIEW (overlapping detail)



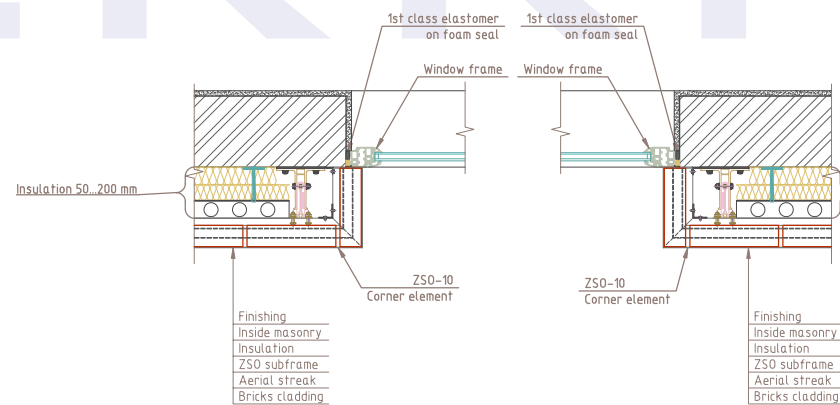
ELEVATION VIEW (balcony) - variant



ELEVATION VIEW (basement)



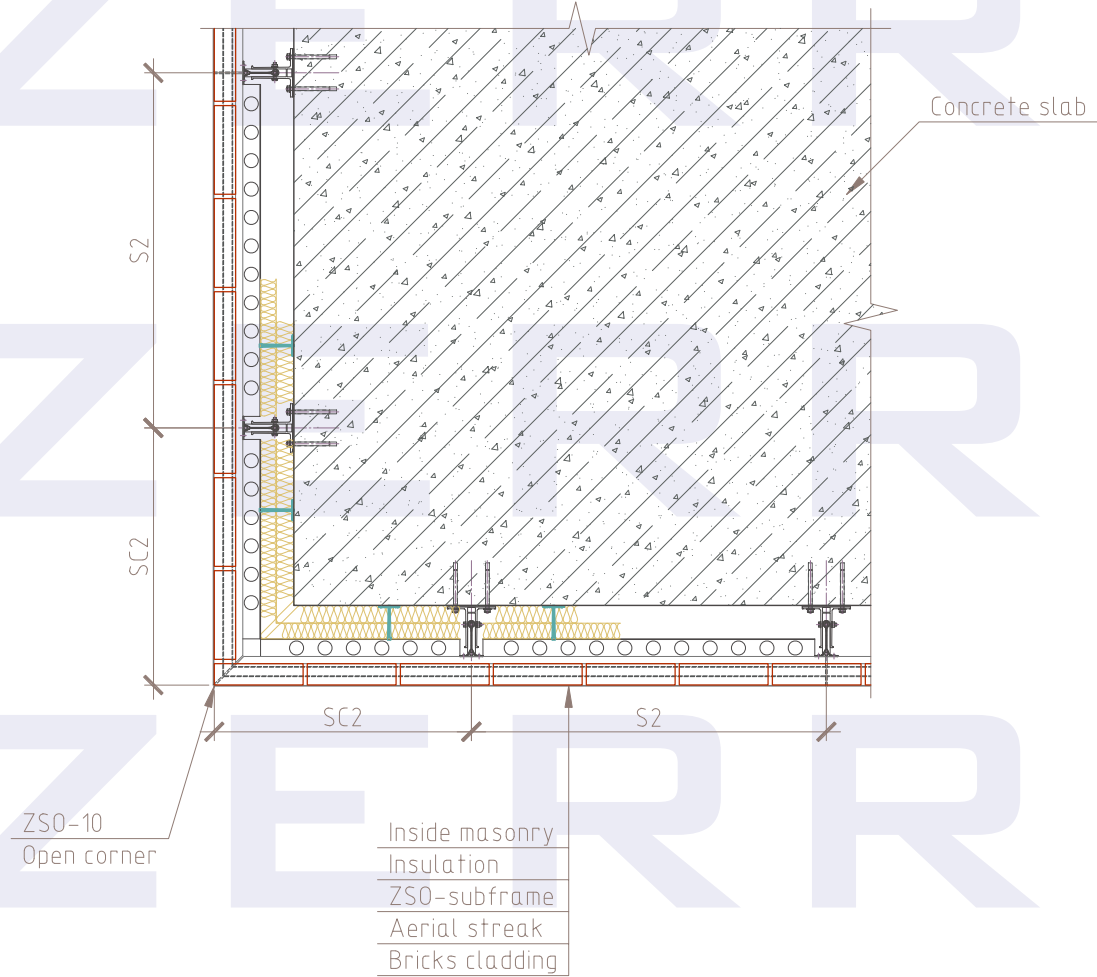
TOP VIEW (window opening)



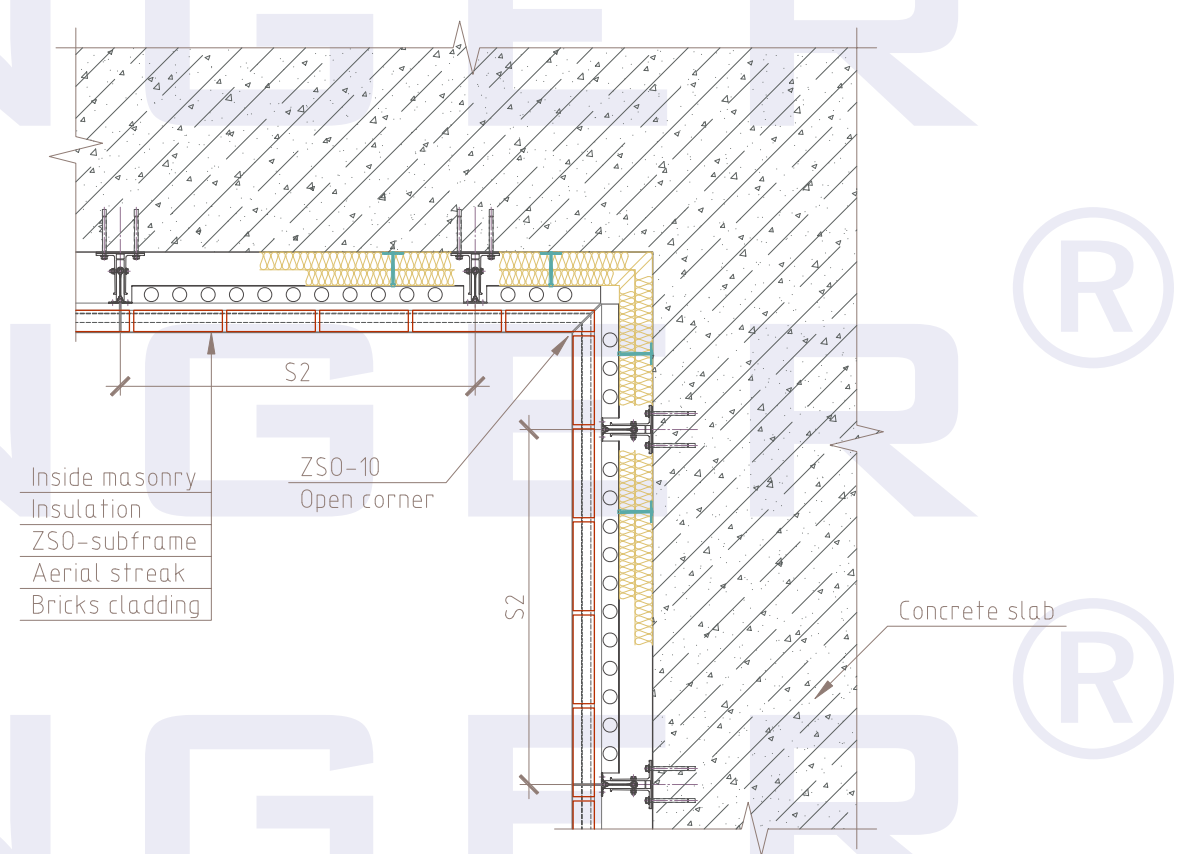
ZERRINGER

Bricks. Frame details

TOP VIEW - external corner



TOP VIEW - internal corner



ZERRINGER
