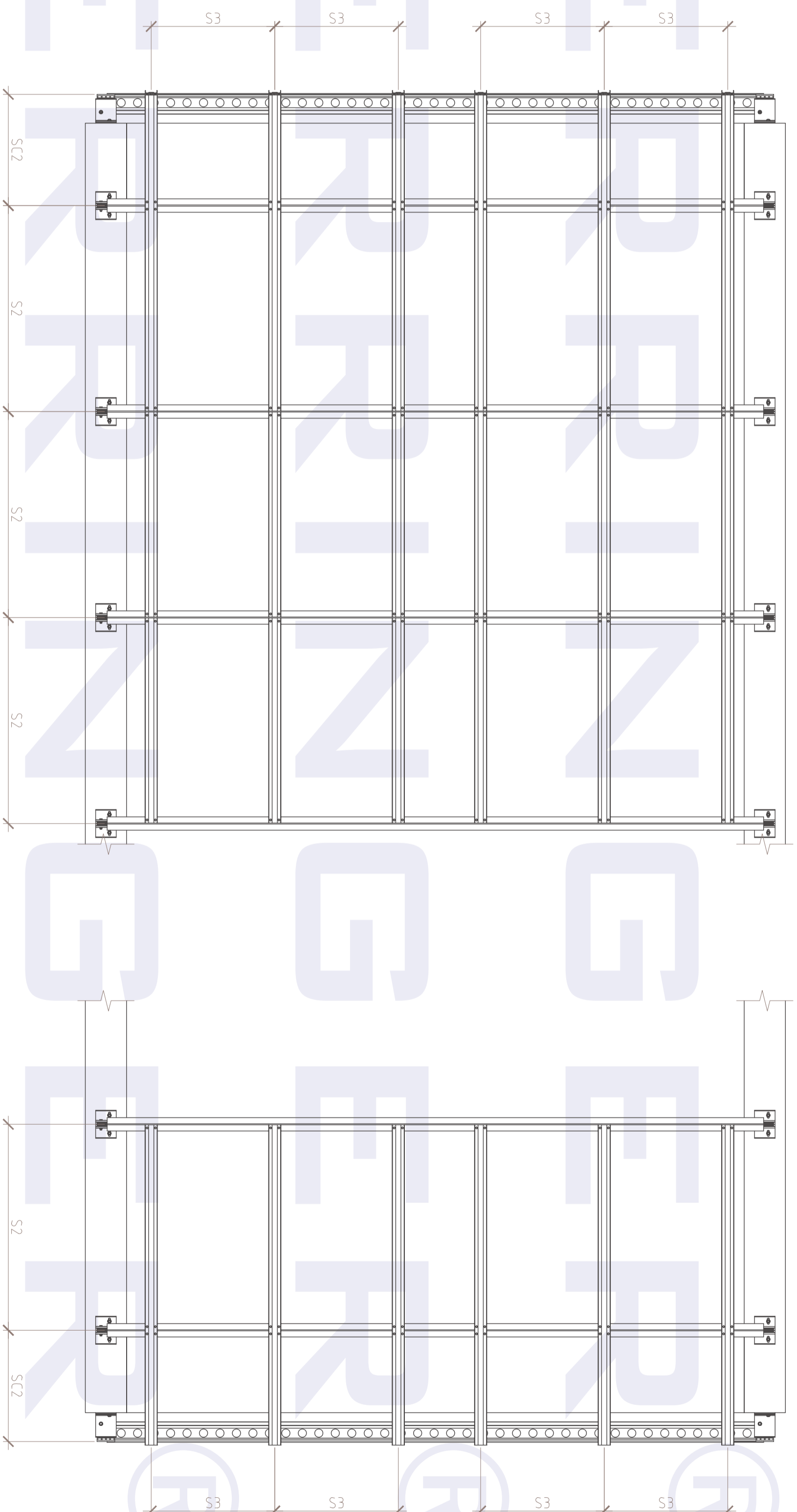
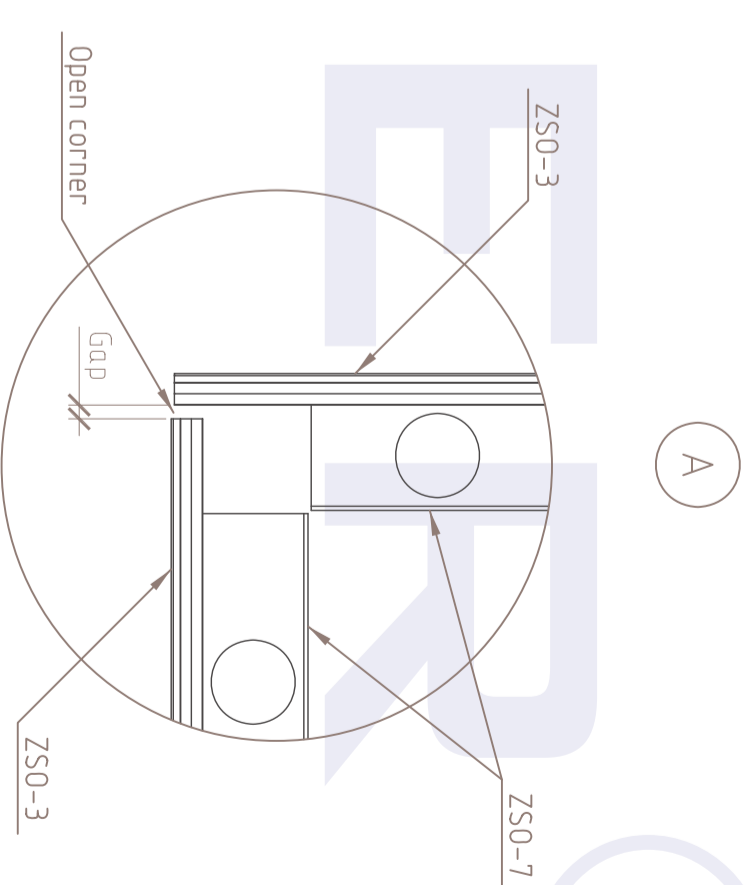
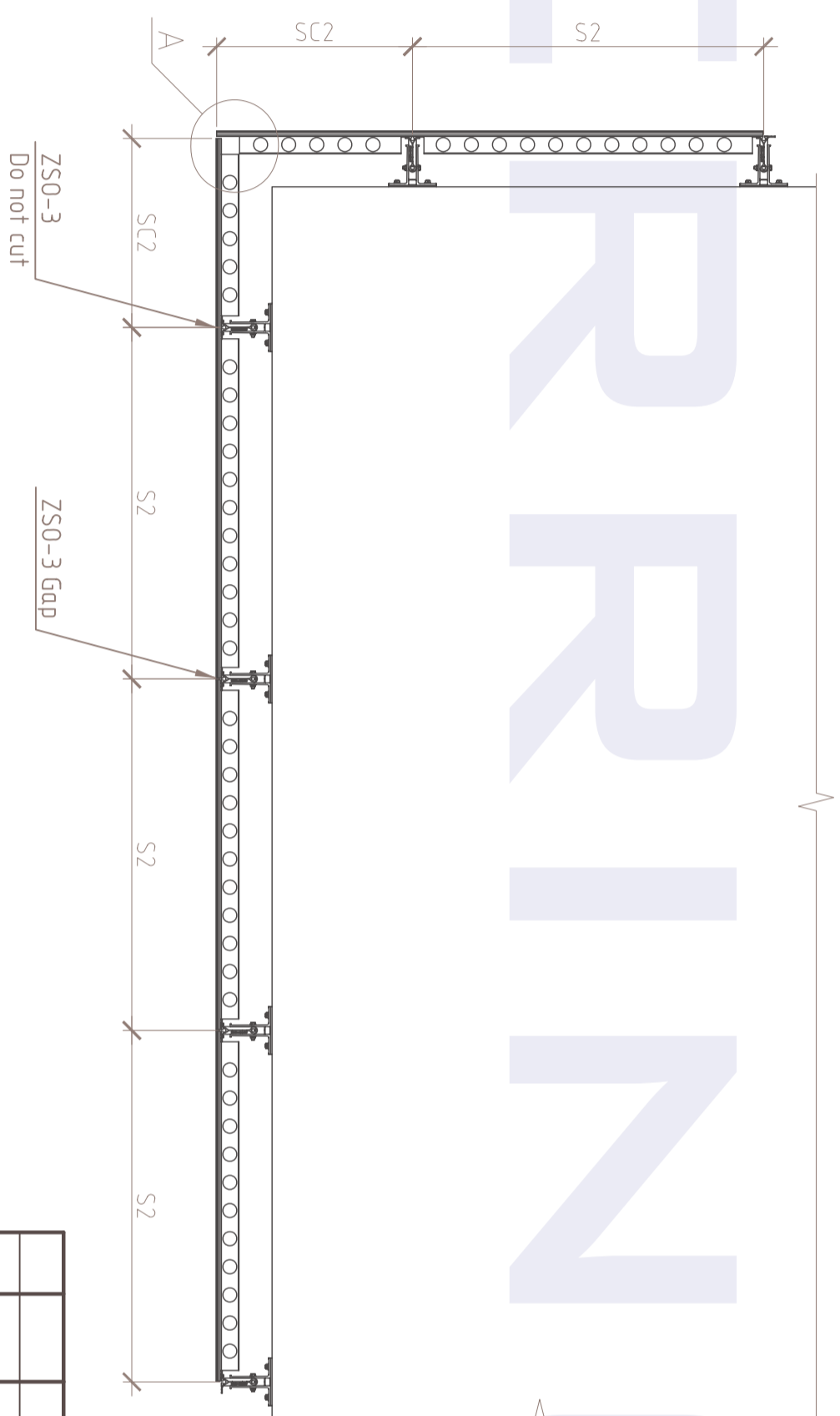


FRONT VIEW



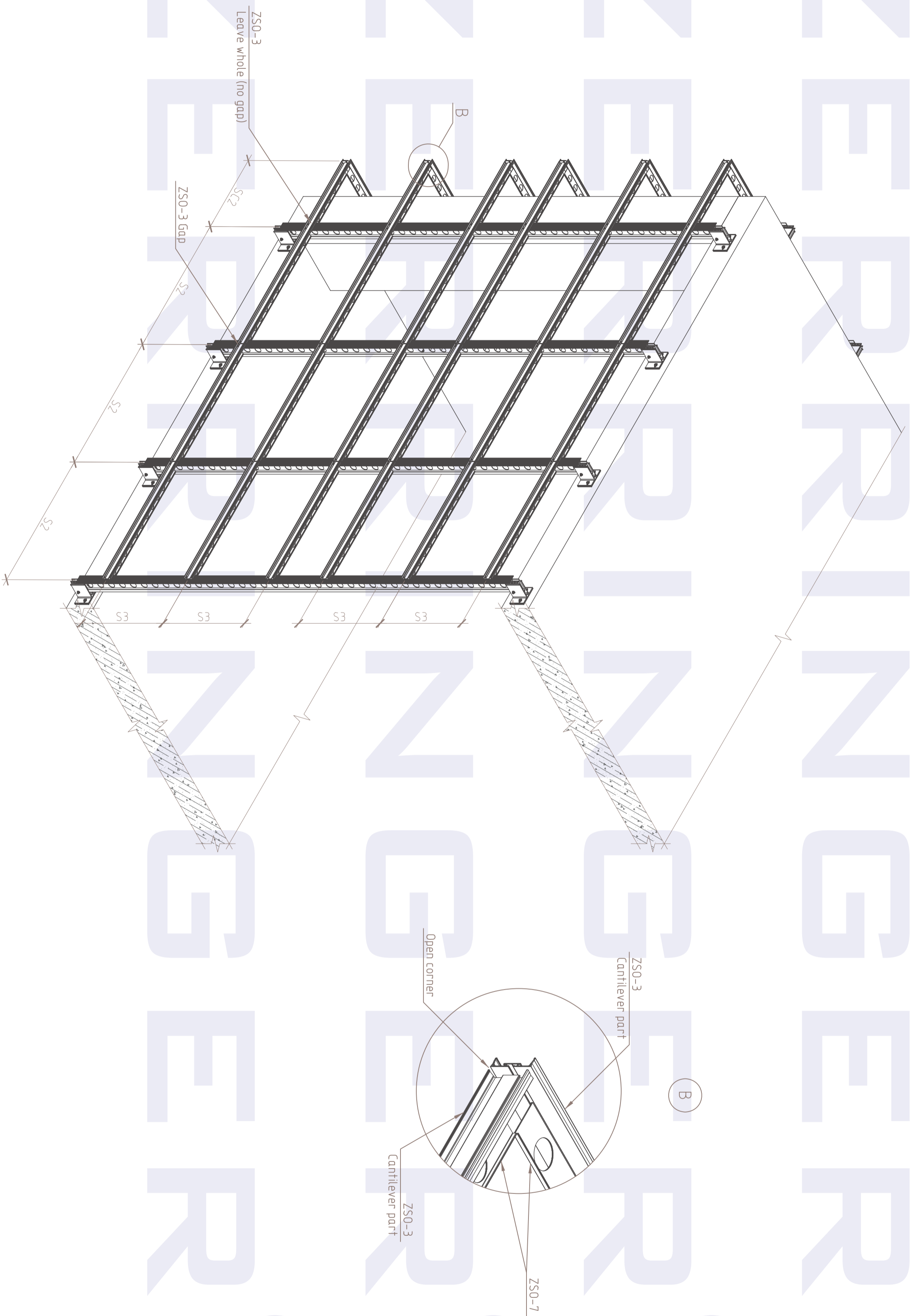
TOP VIEW



**ZERRINGER**

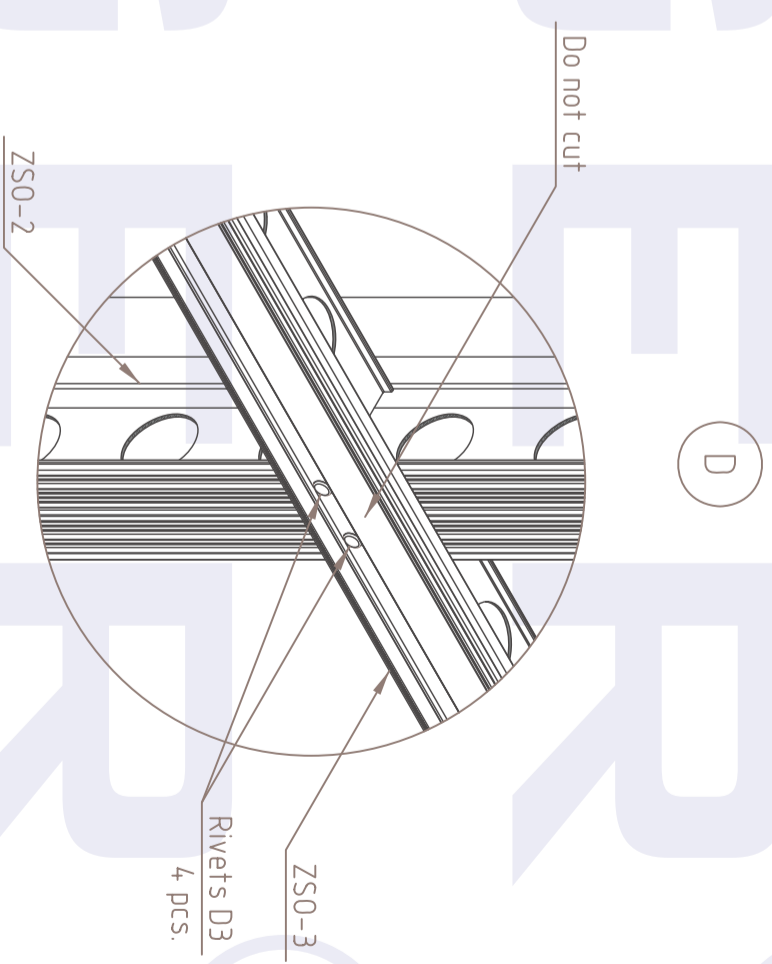
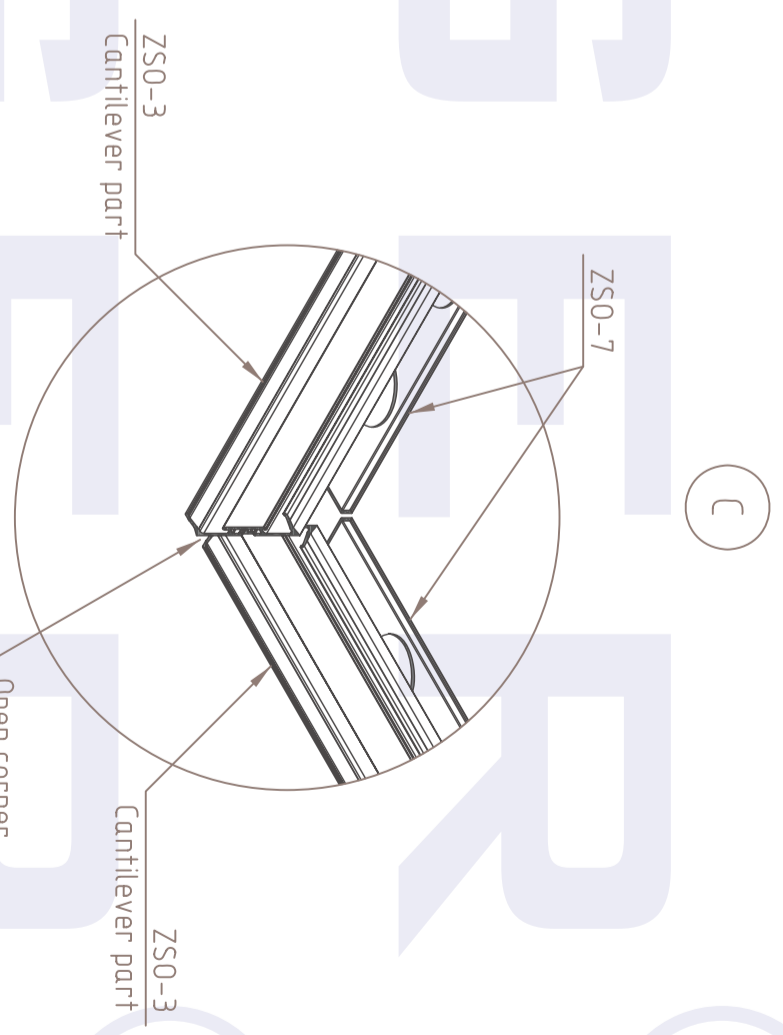
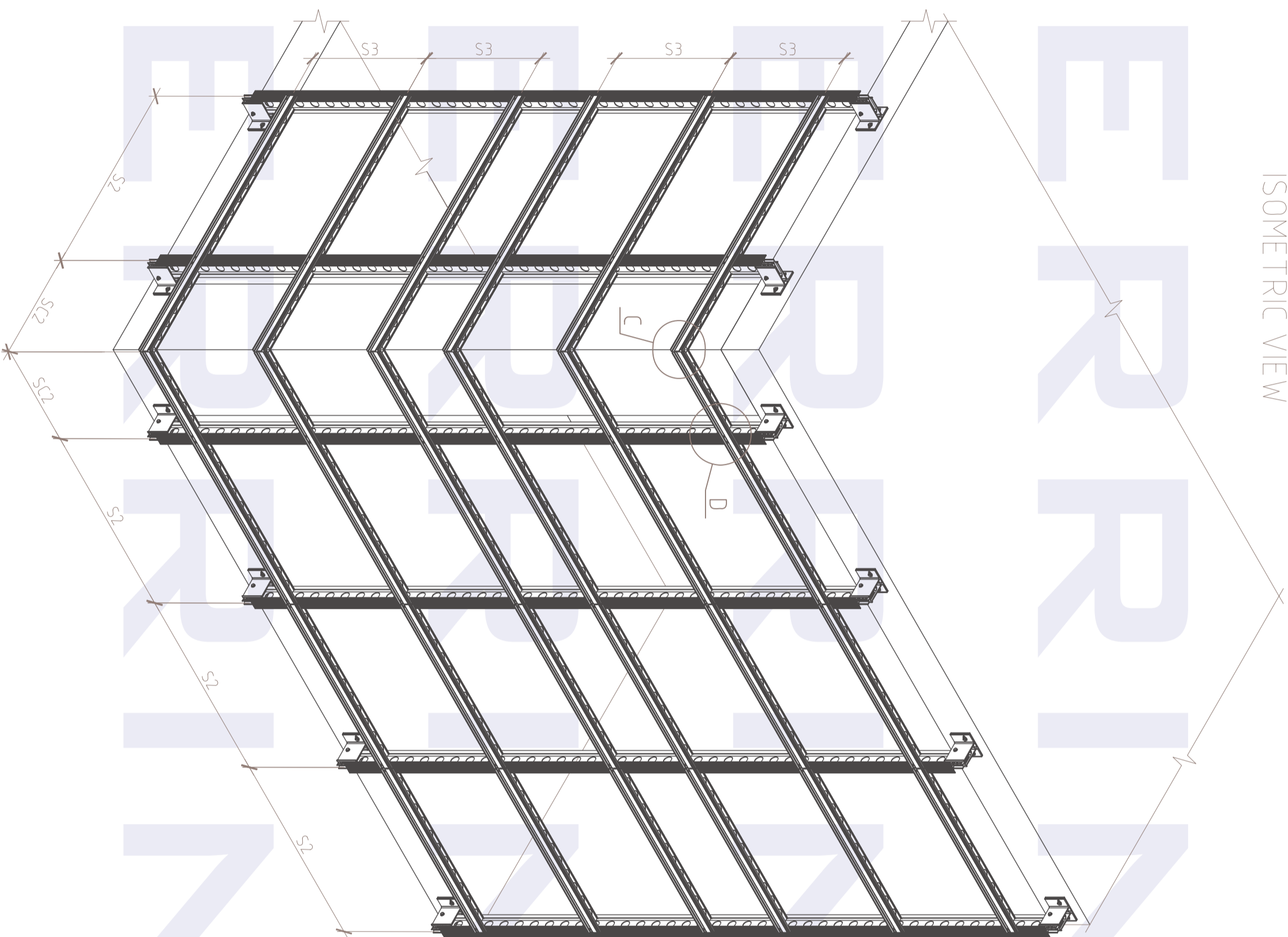
ZERRINGER SnapOn Aluminum Subframe

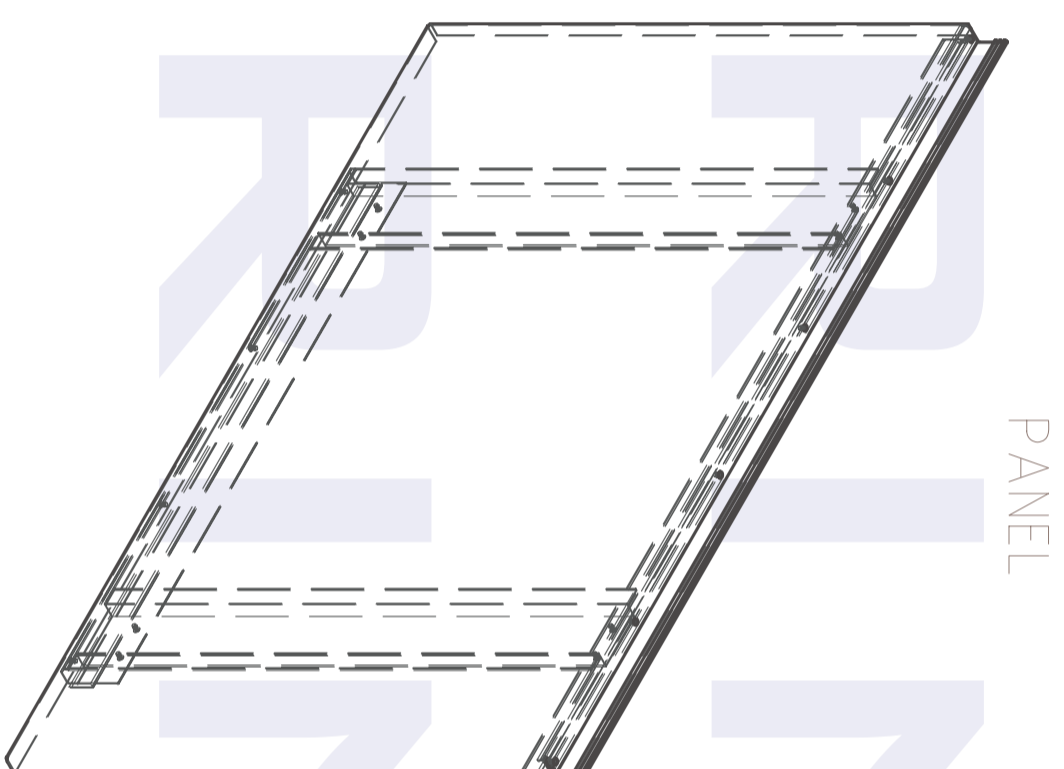
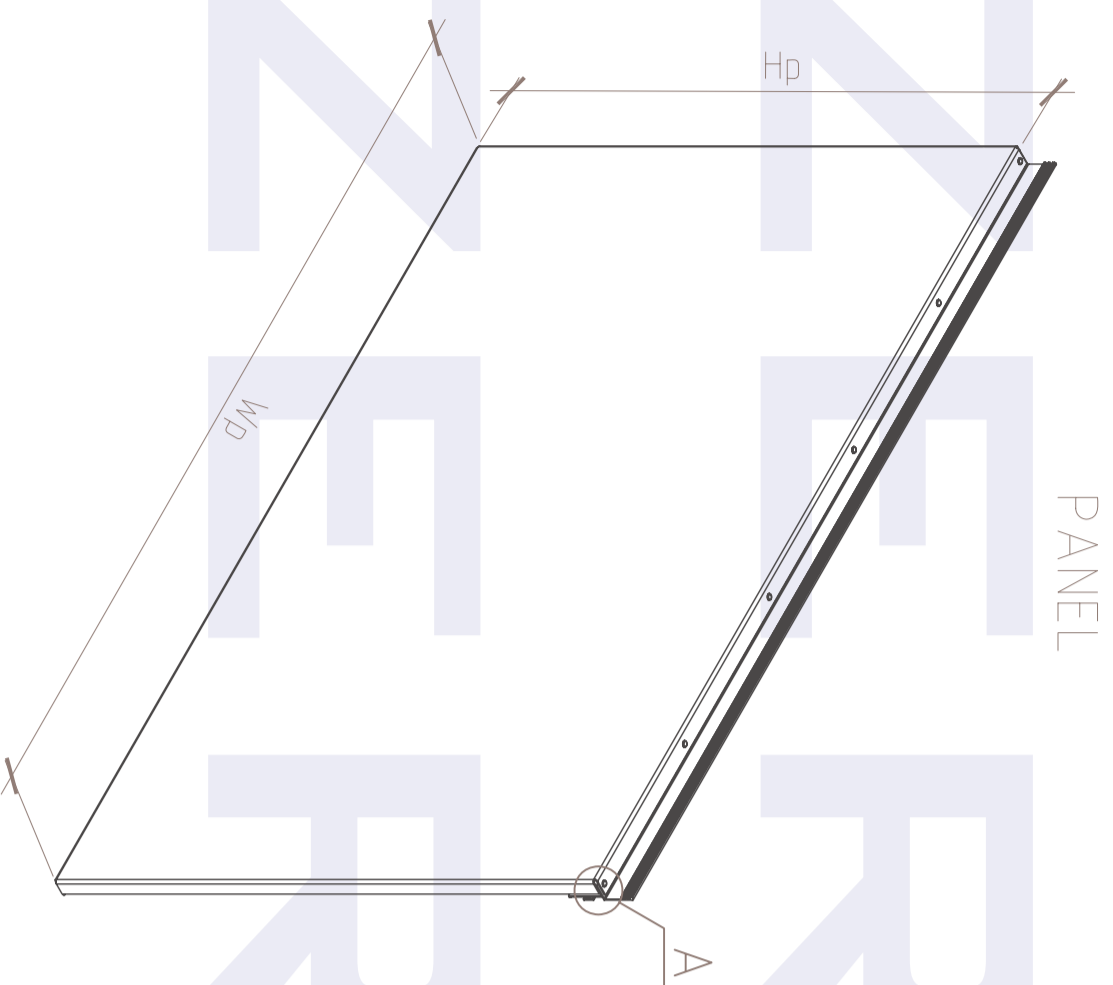
ISOMETRIC VIEW



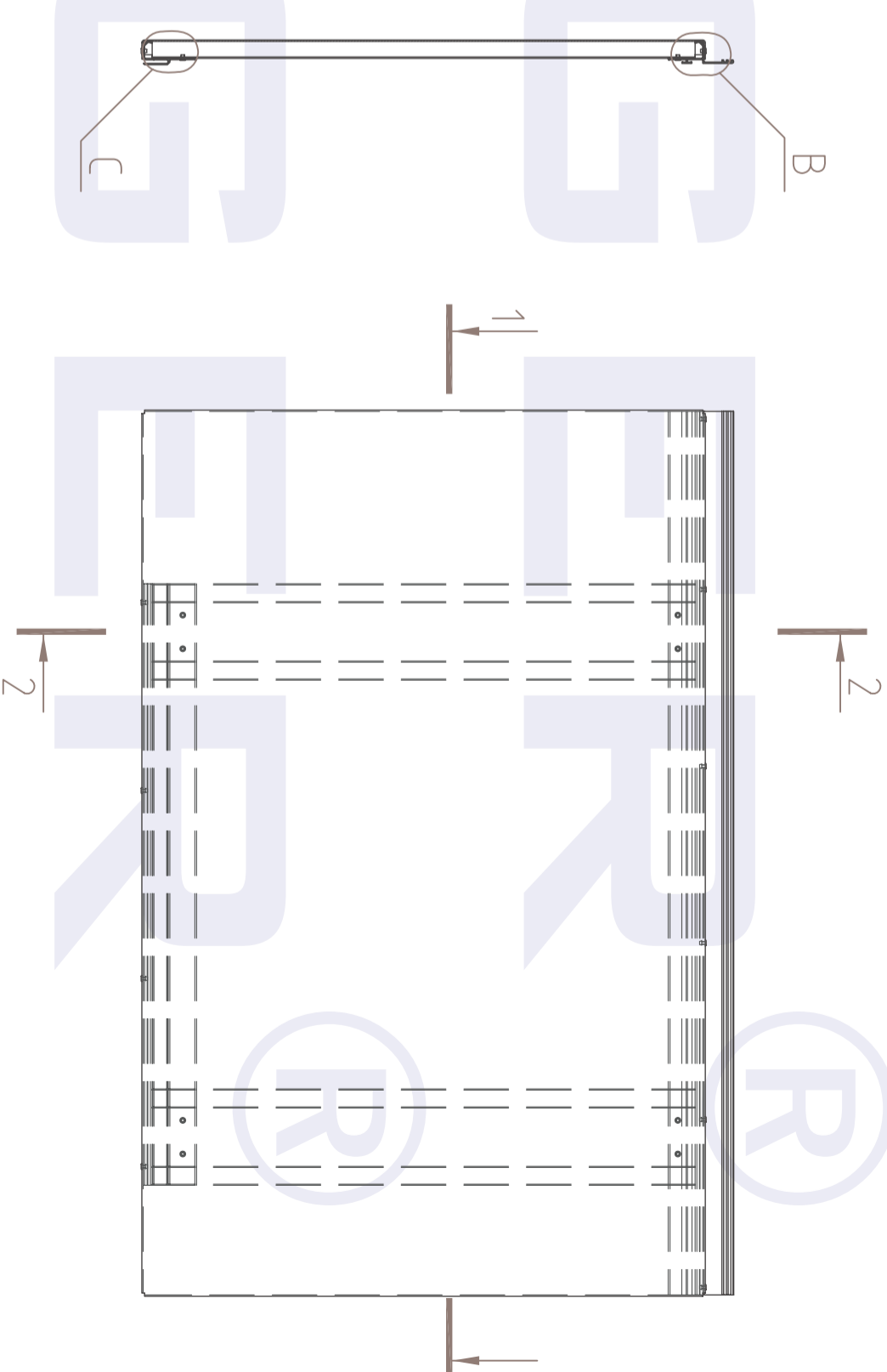
--	--	--	--	--	--	--	--	--	--

ISOMETRIC VIEW

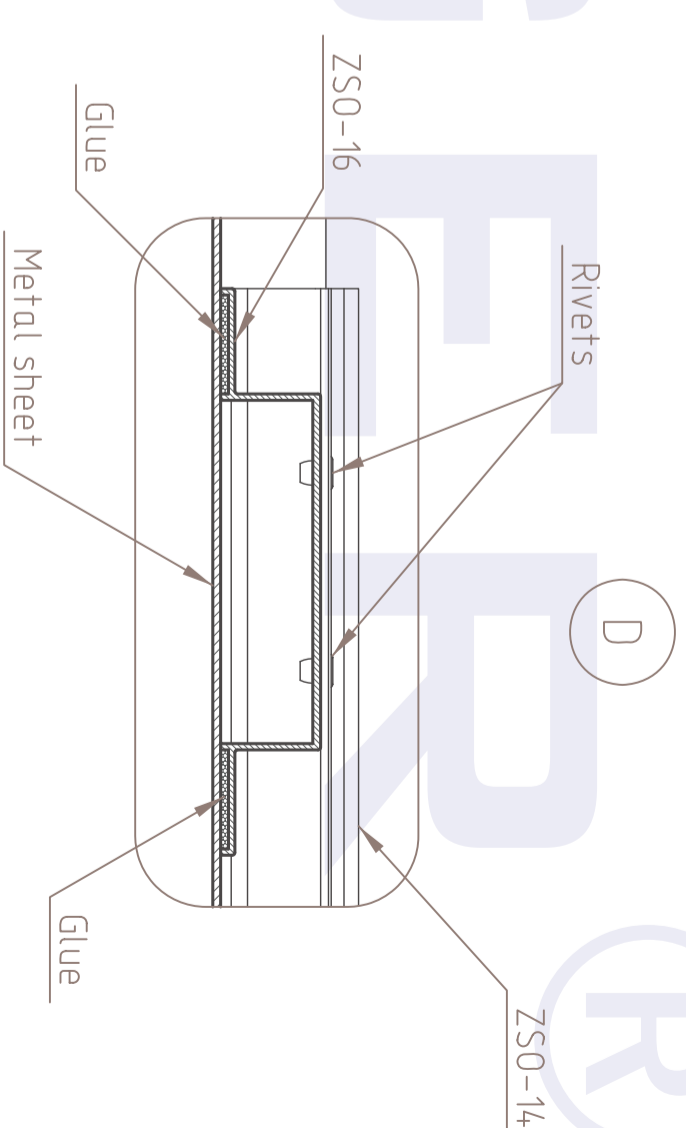
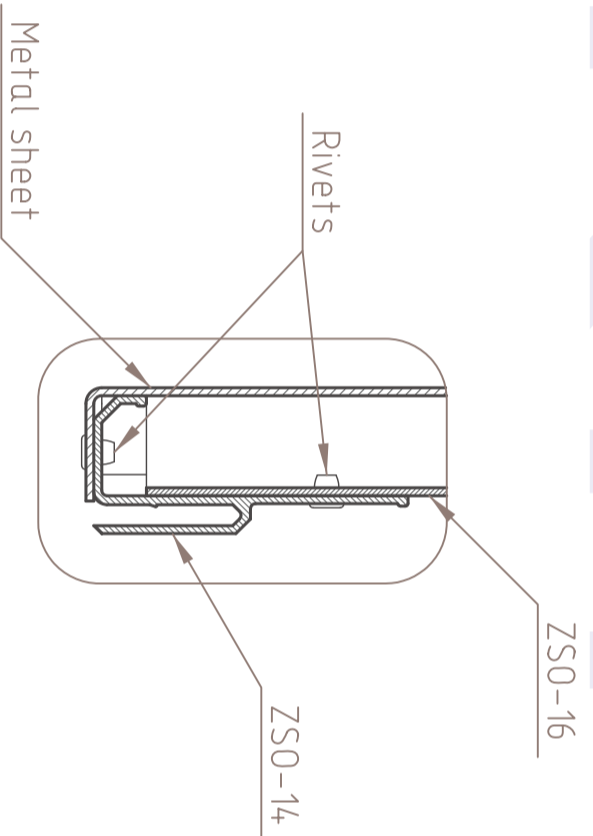
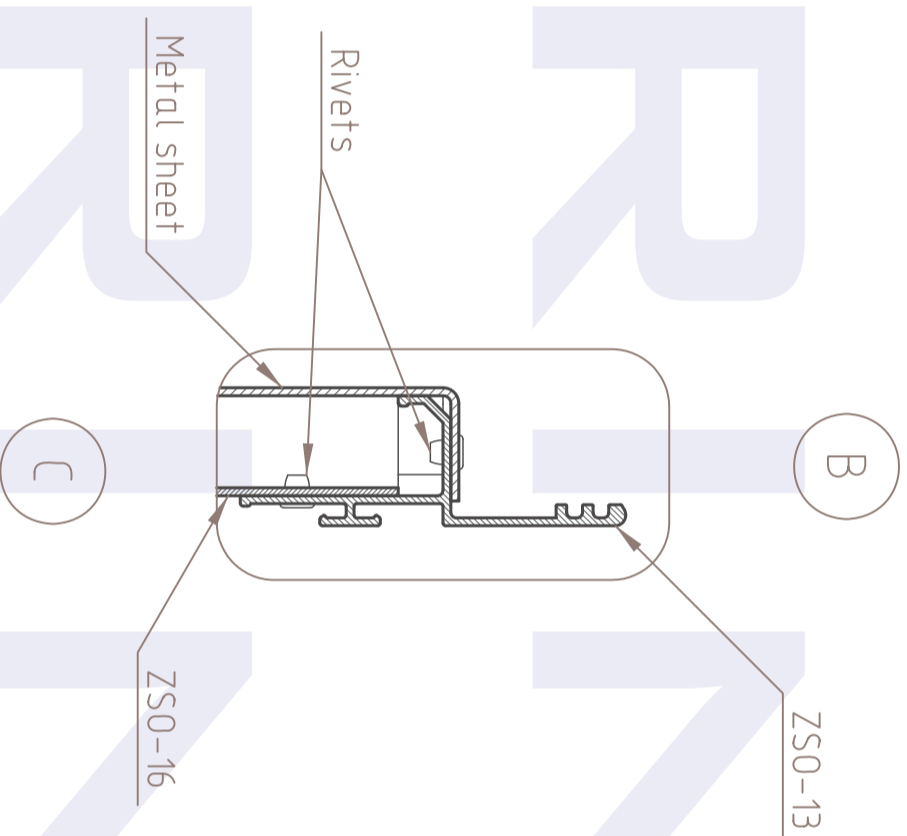
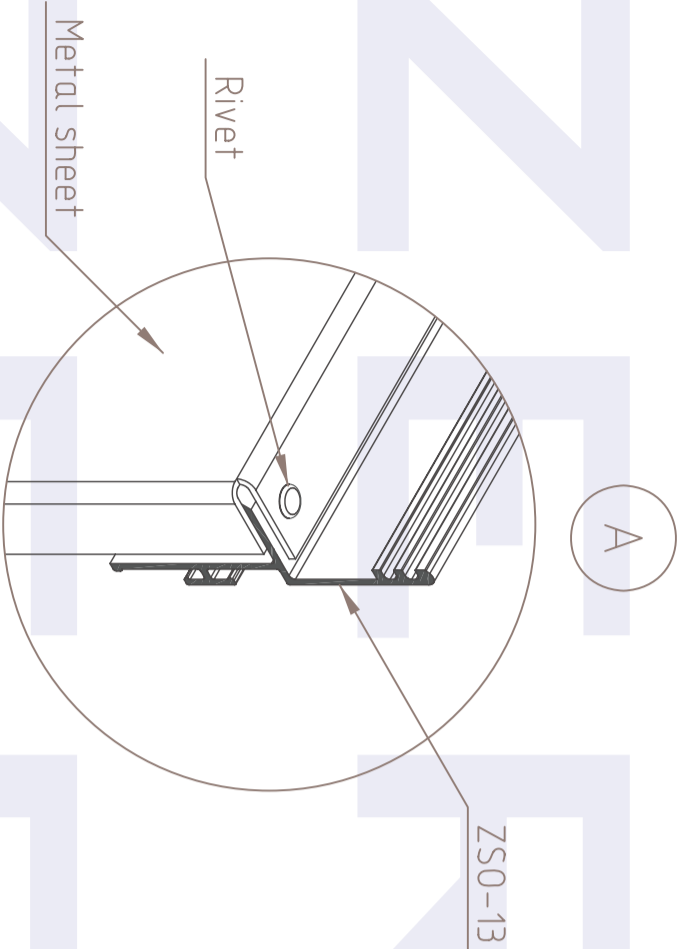
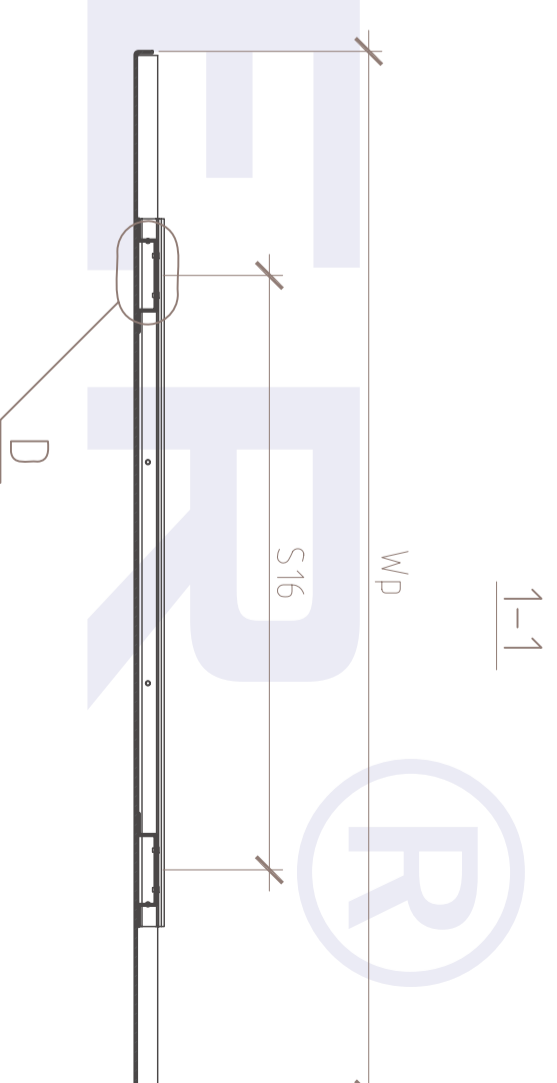




2-2



1-1



**Fixing detail**

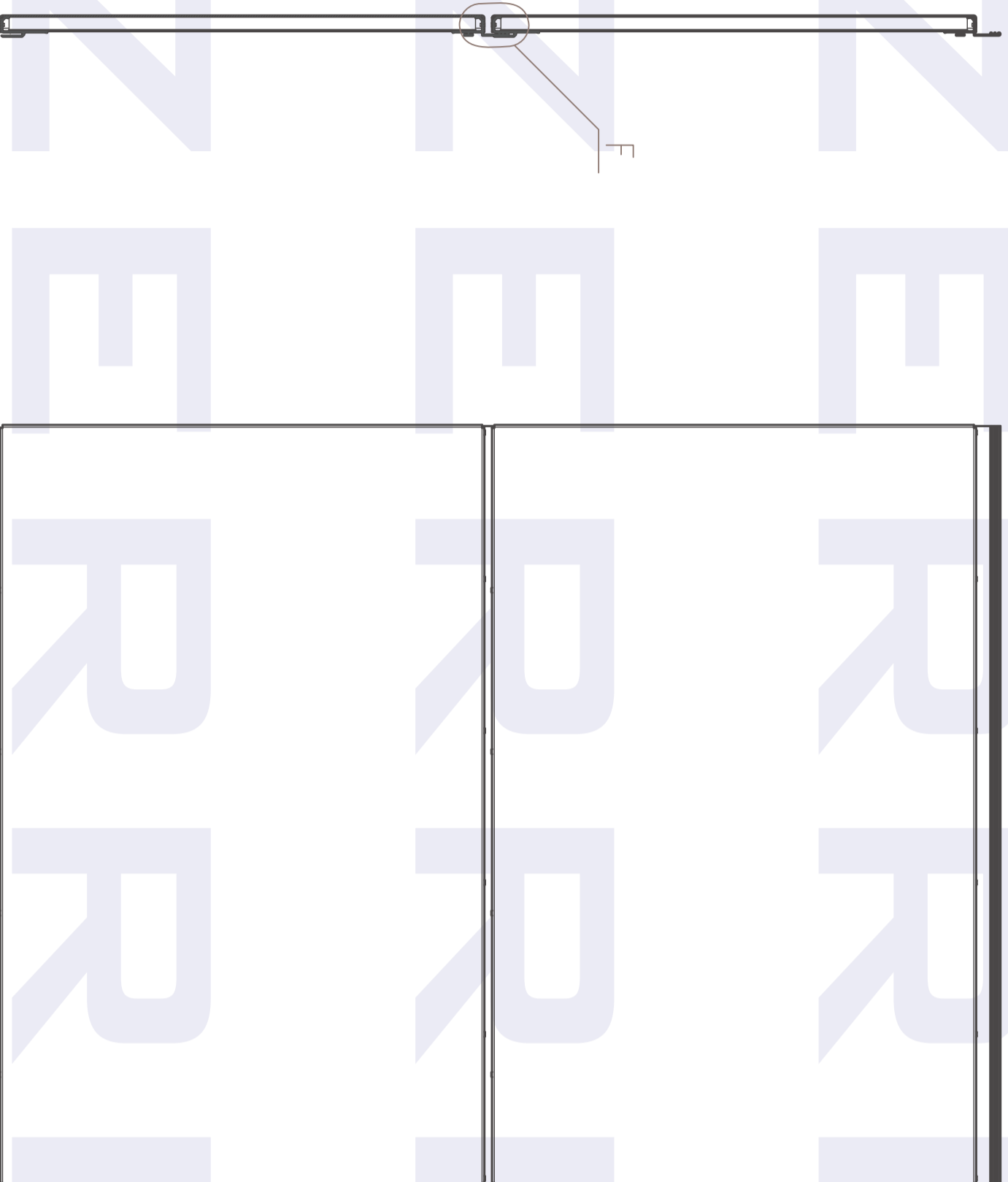
Fixing method:

- blind rivets
- thread cutting screws

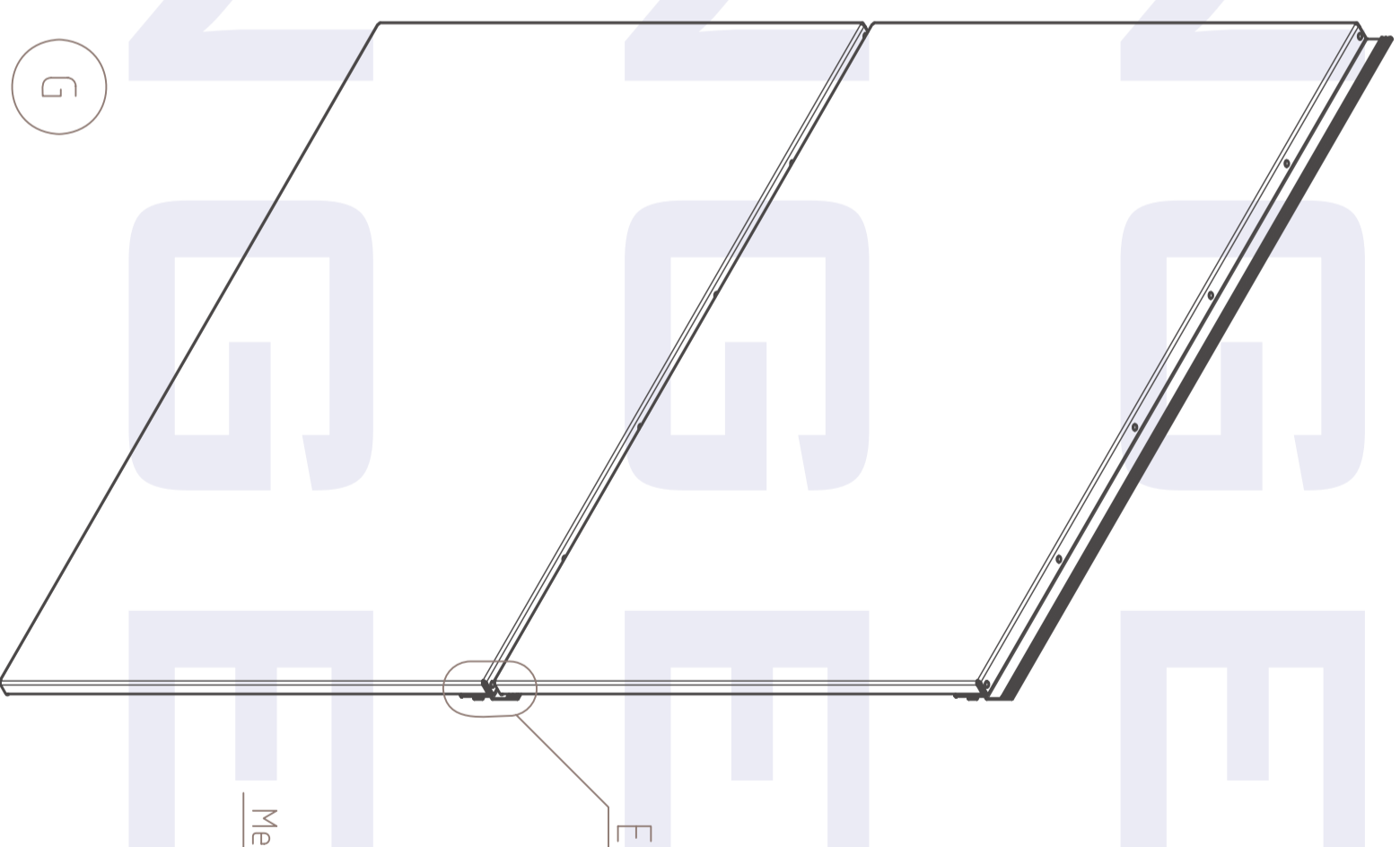
**ZERRINGER**

PANEL ASSEMBLY

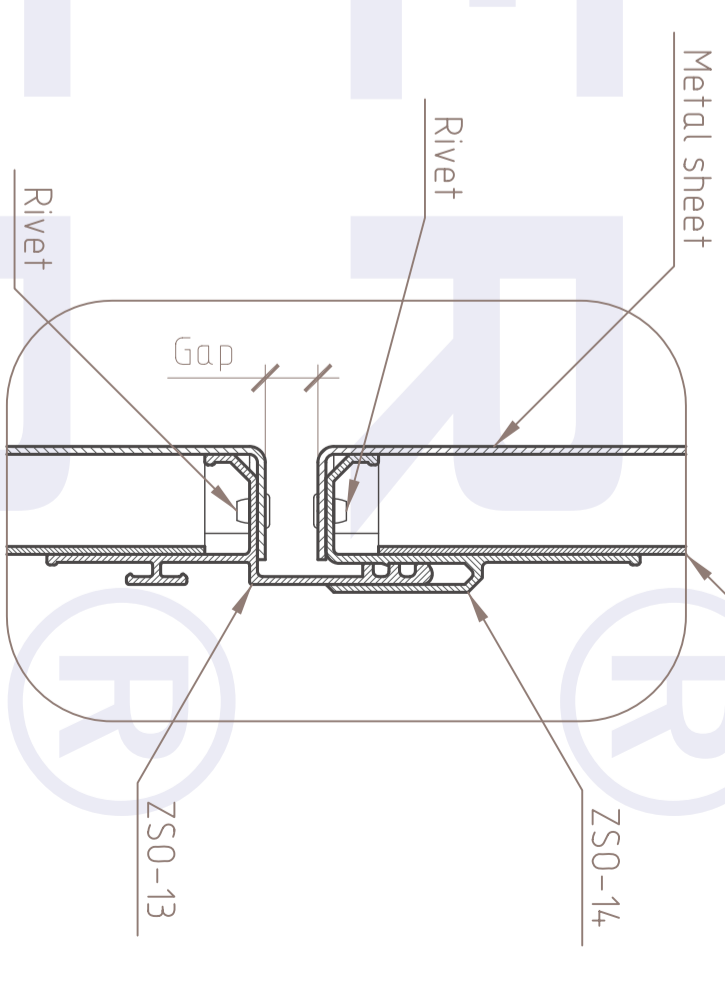
3-3



PANEL ASSEMBLY

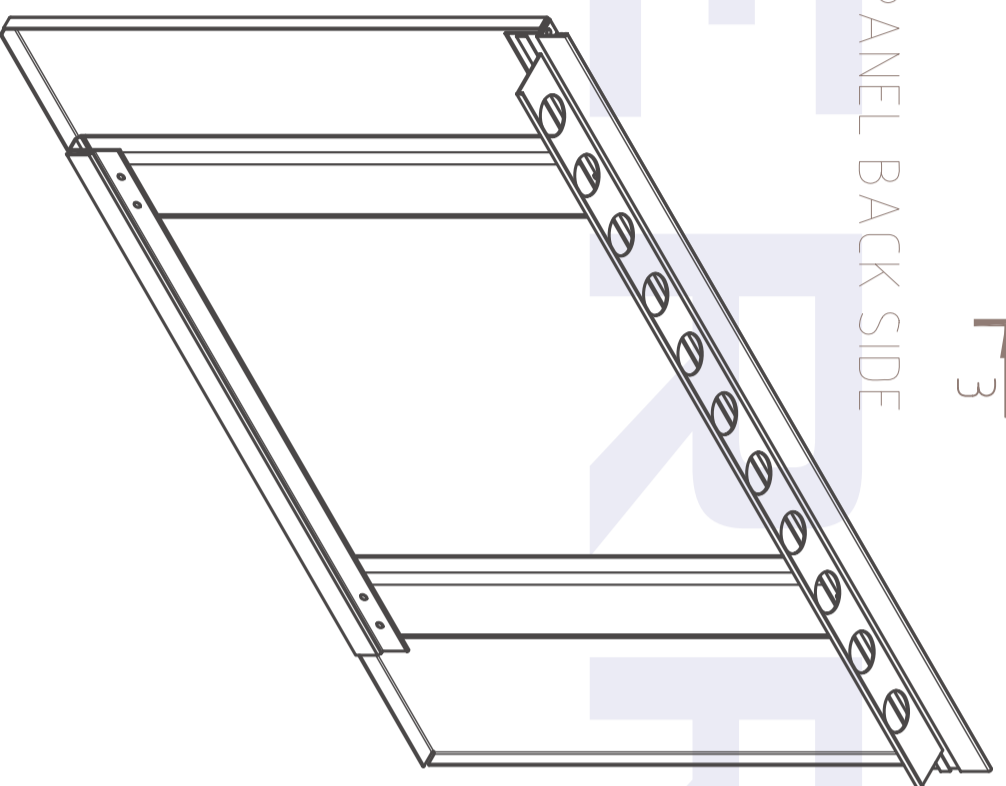


F  
ZSO-16



3

PANEL BACK SIDE



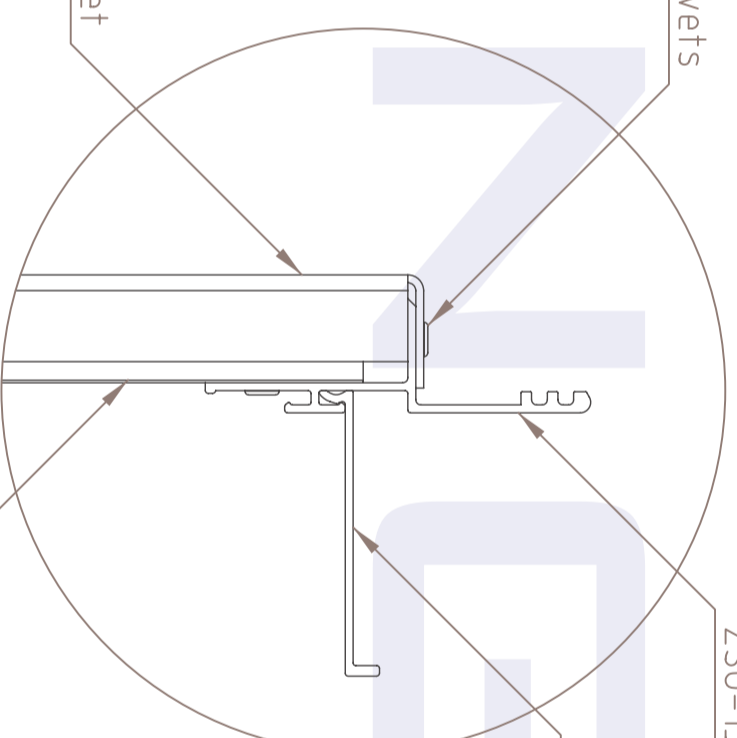
Rivets

ZSO-13

ZSO-7

Metal sheet

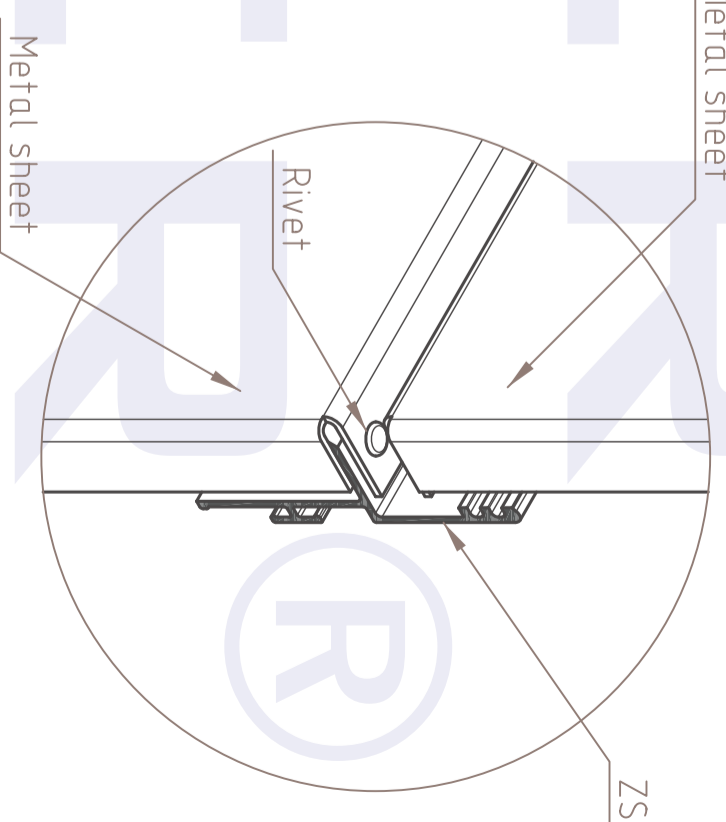
ZSO-16

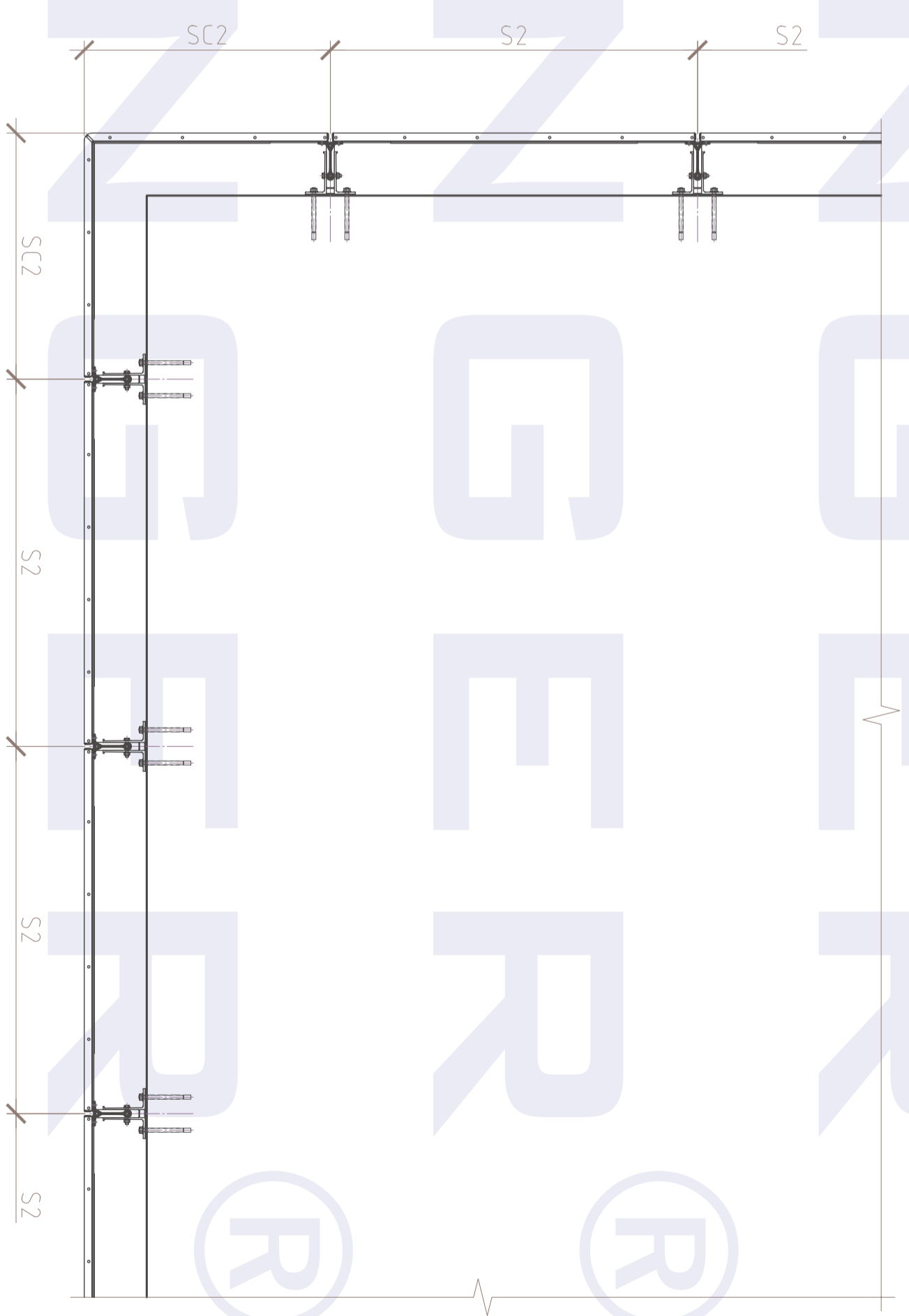
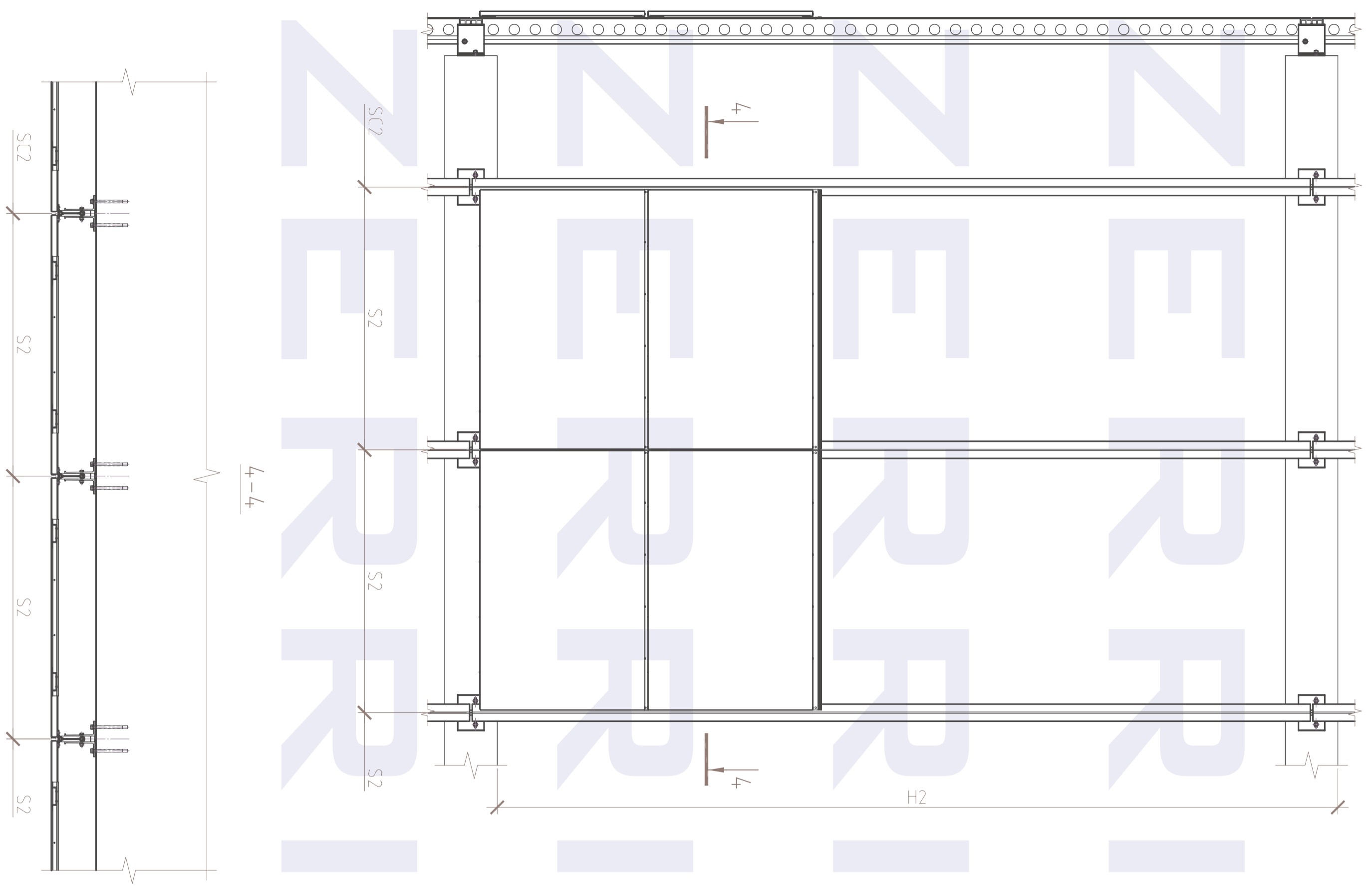


E

Metal sheet

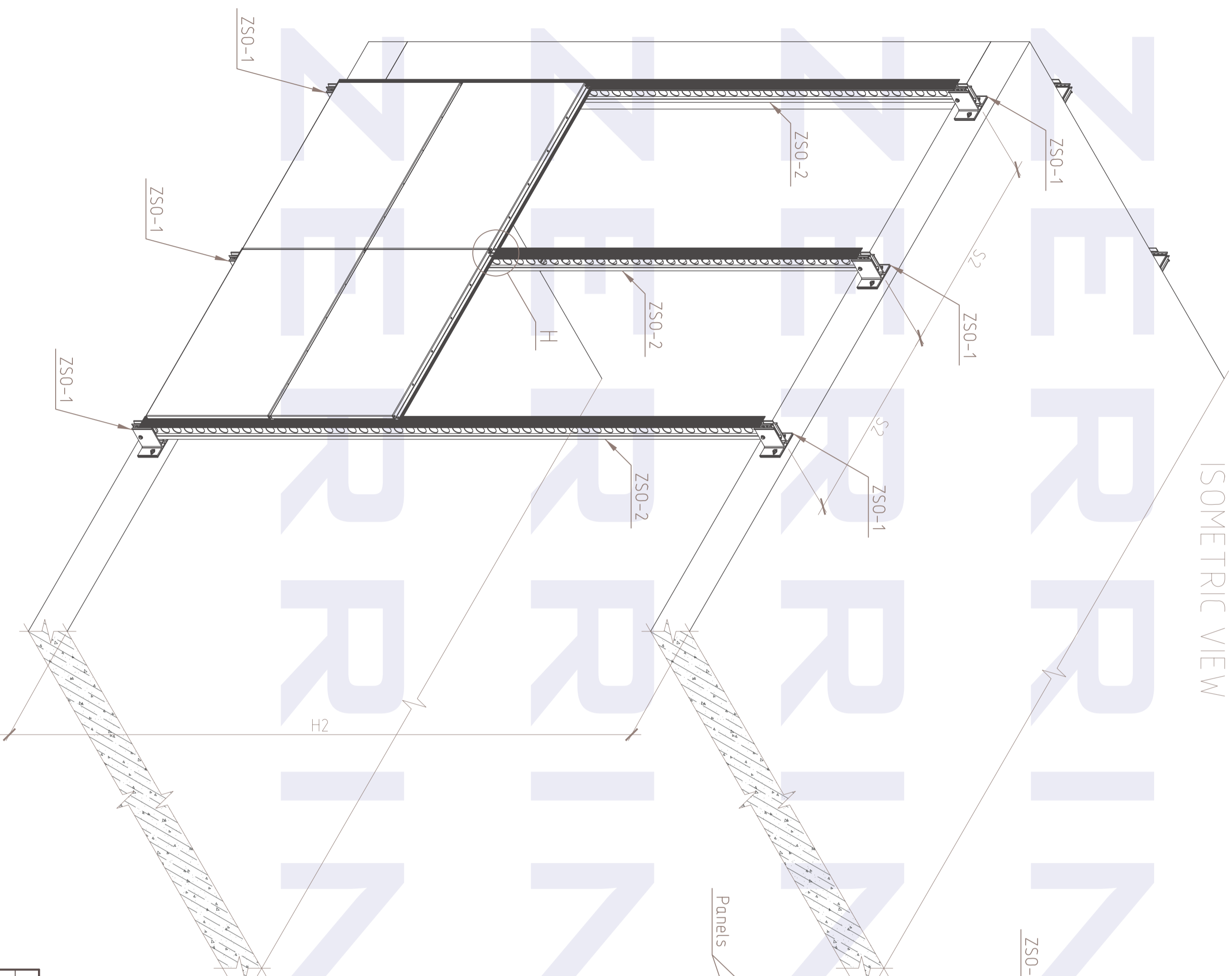
ZSO-13



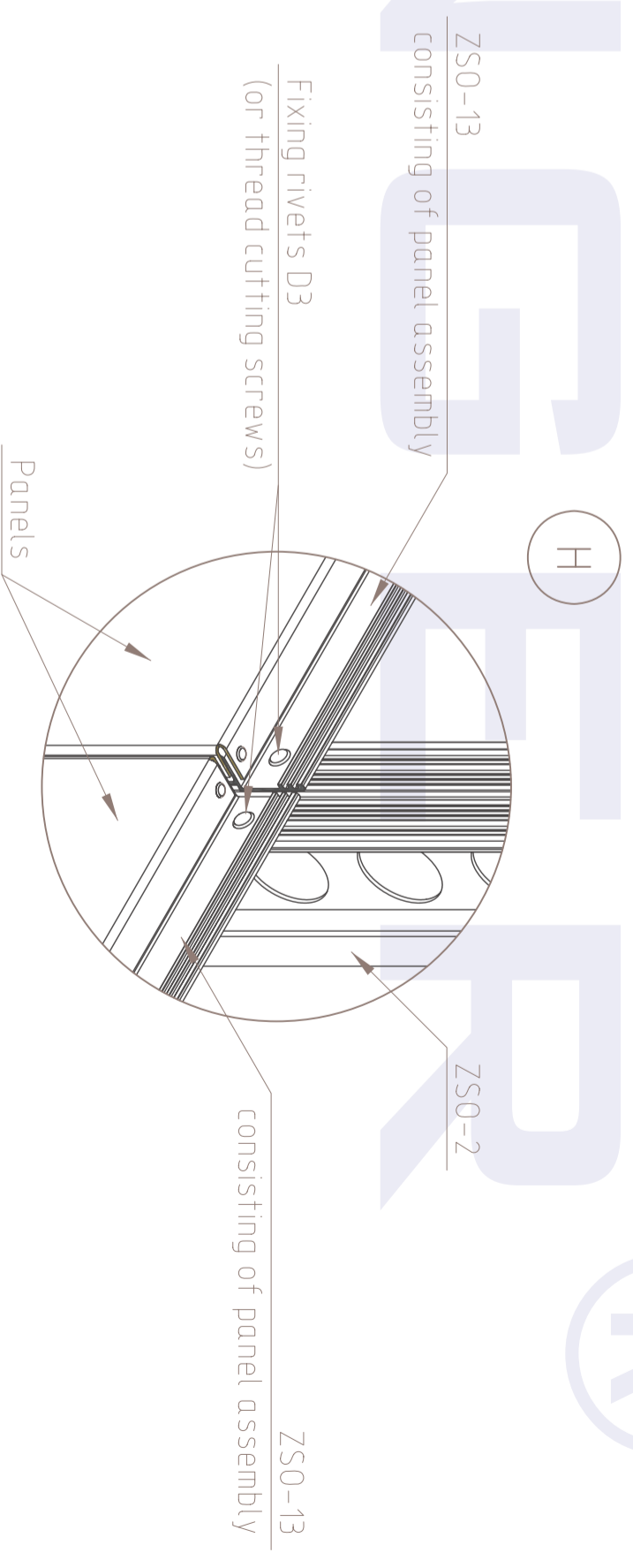
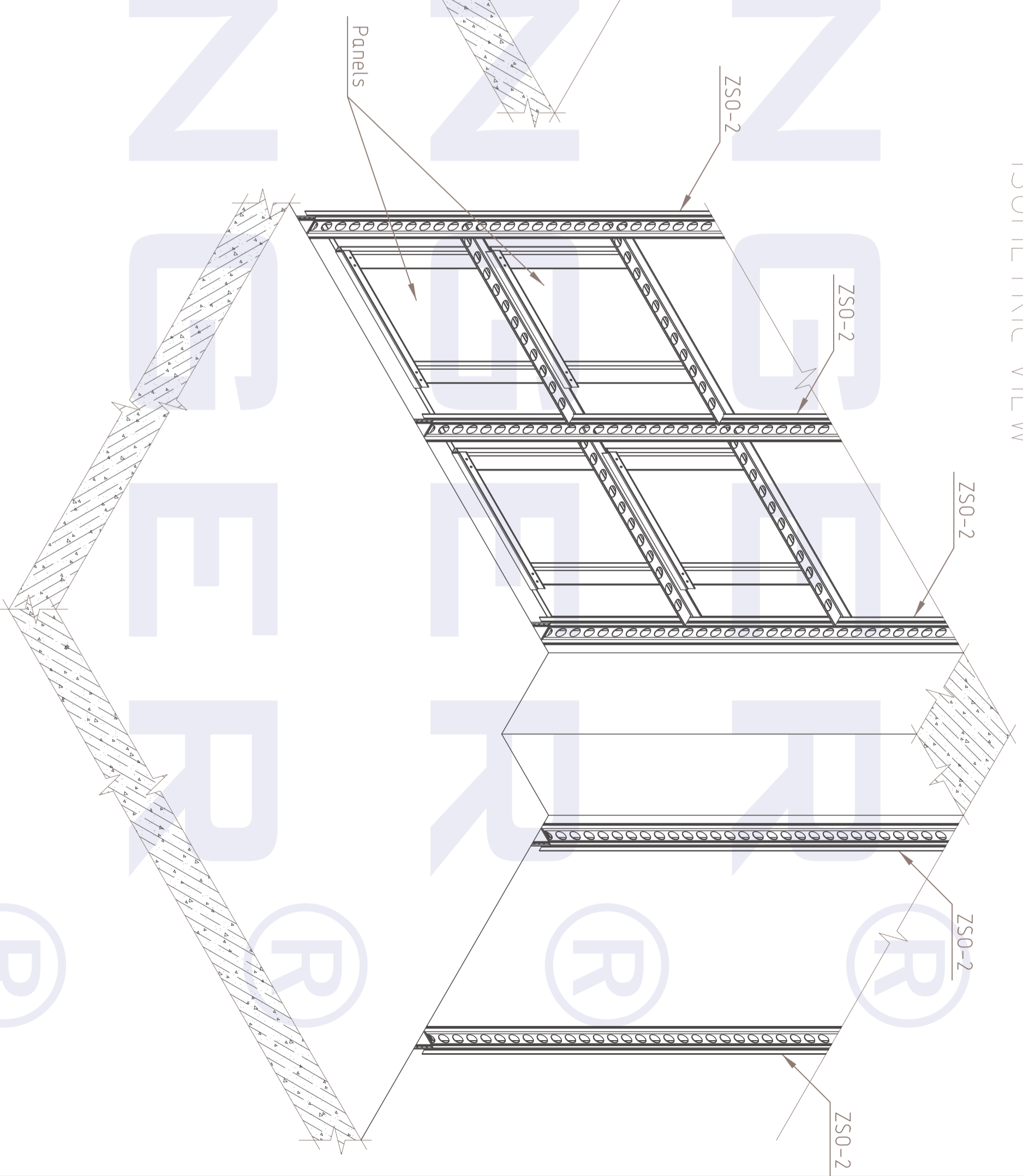


**ZERRINGER**

ISOMETRIC VIEW

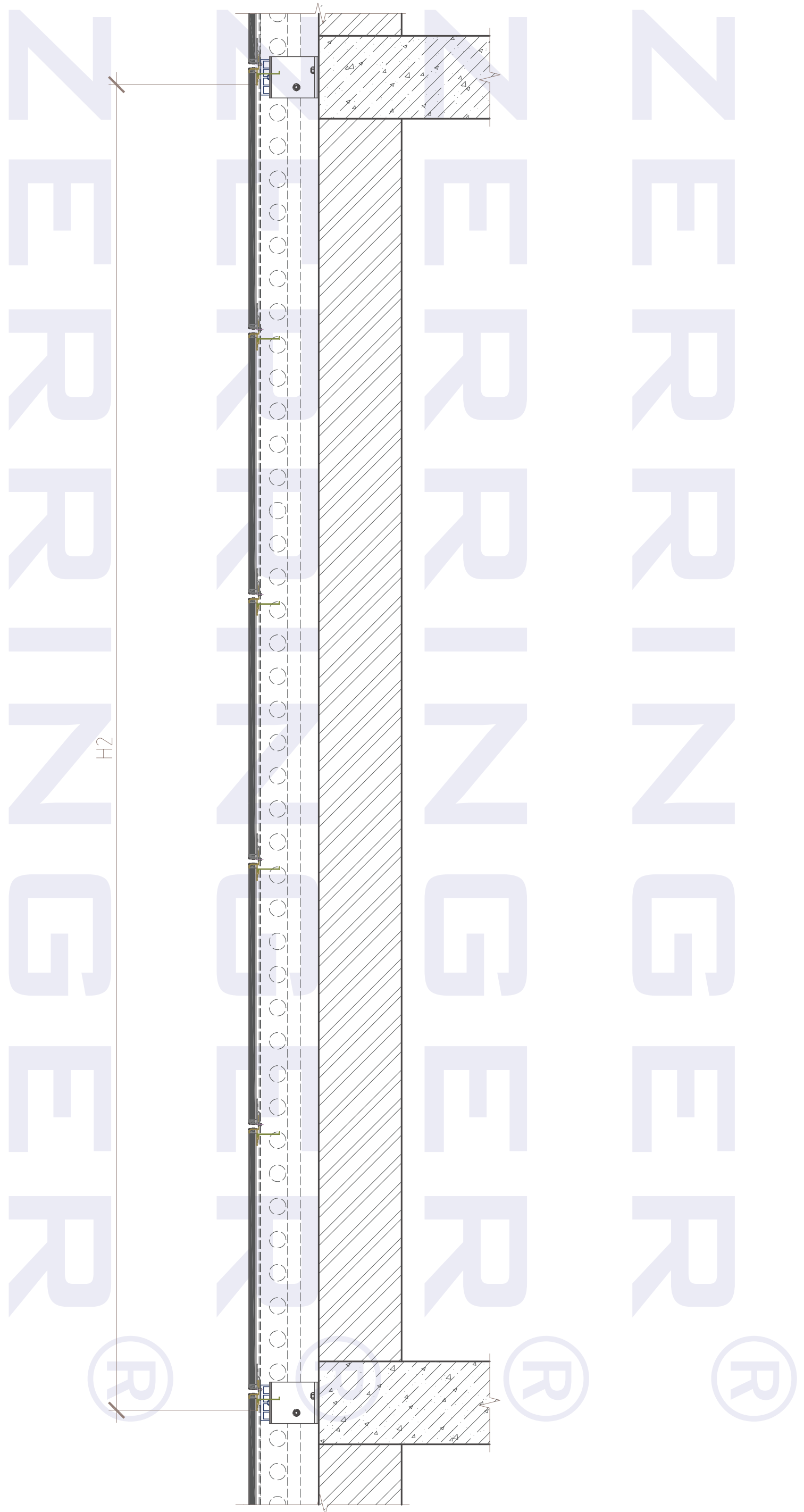


ISOMETRIC VIEW



**ZERRINGER**

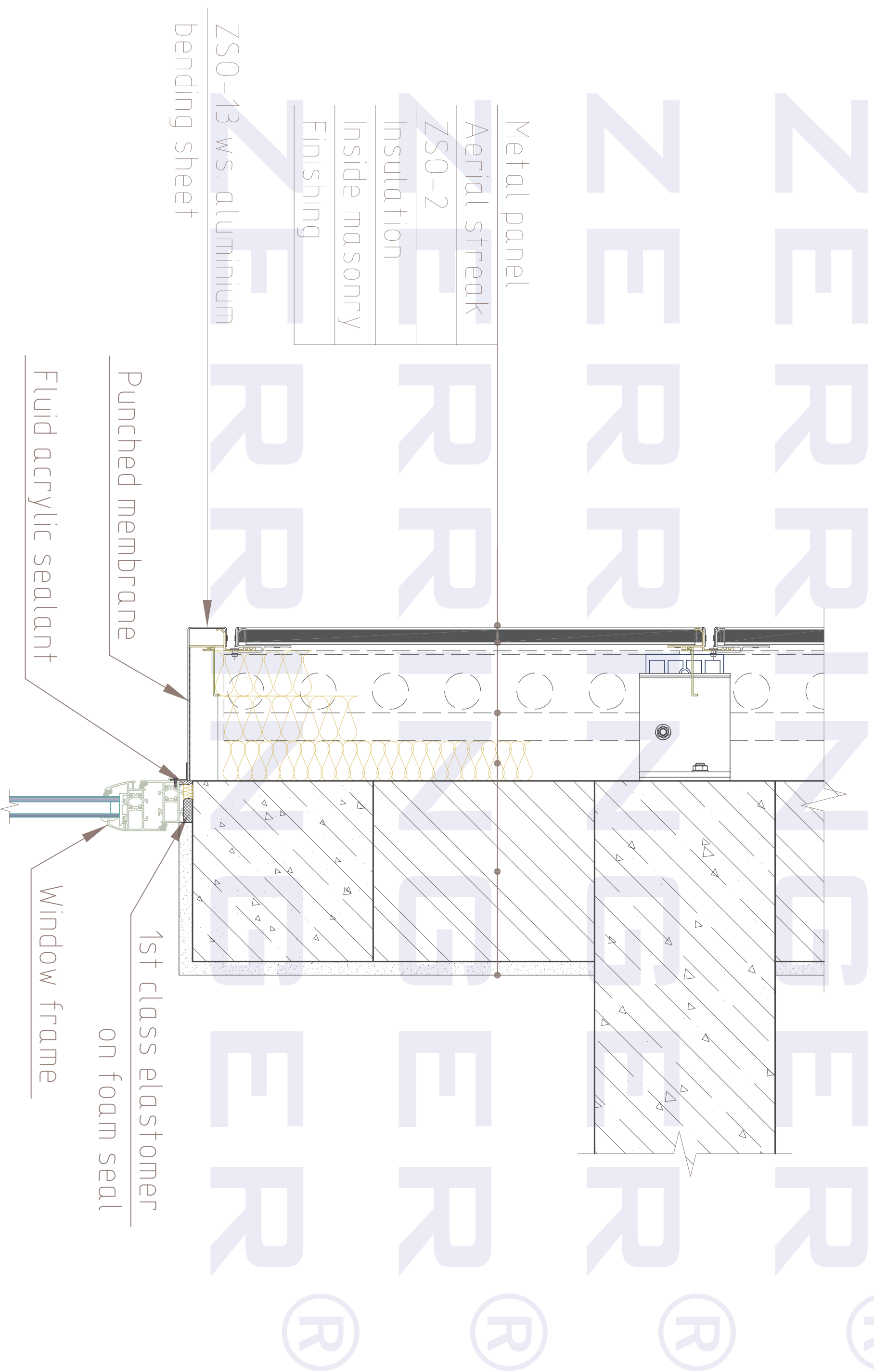
ELEVATION VIEW (blank wall)





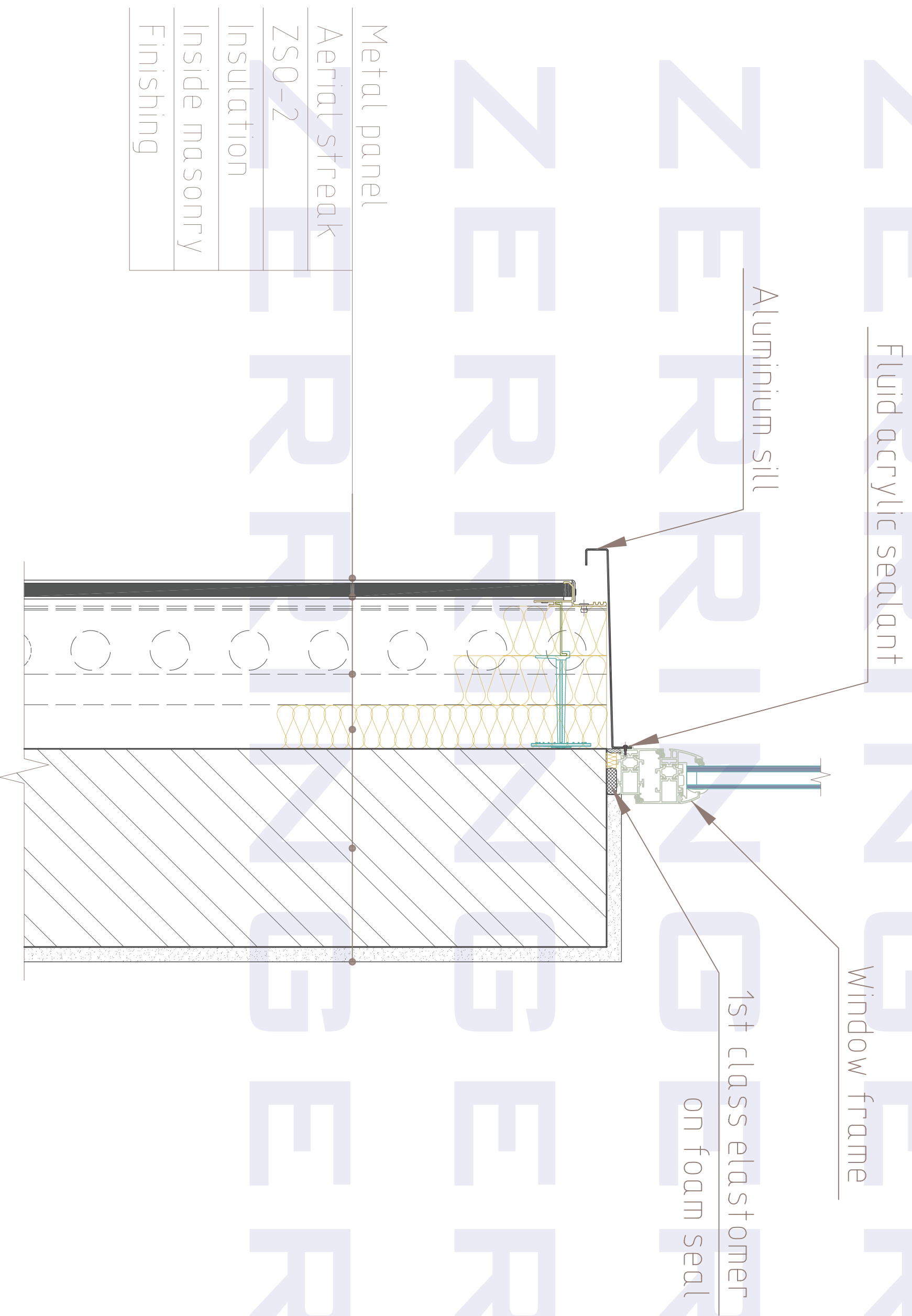
# ELEVATION VIEW

(wall with window opening)

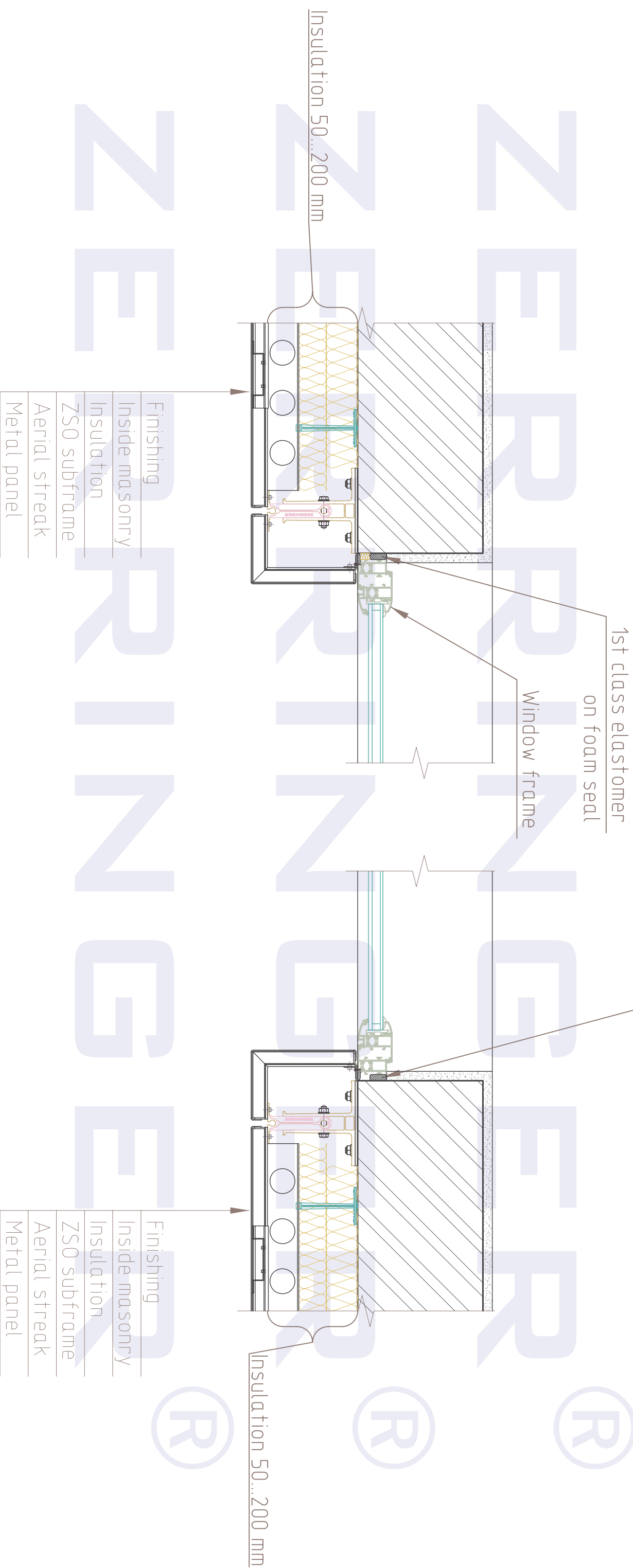


# ELEVATION VIEW

(wall with window opening)



TOP VIEW  
(window opening)



Insulation 50...200 mm

- Finishing
- Inside masonry
- Insulation
- ZSO subframe
- Aerial streak
- Metal panel

1st class elastomer  
on foam seal

Window frame

1st class elastomer  
on foam seal

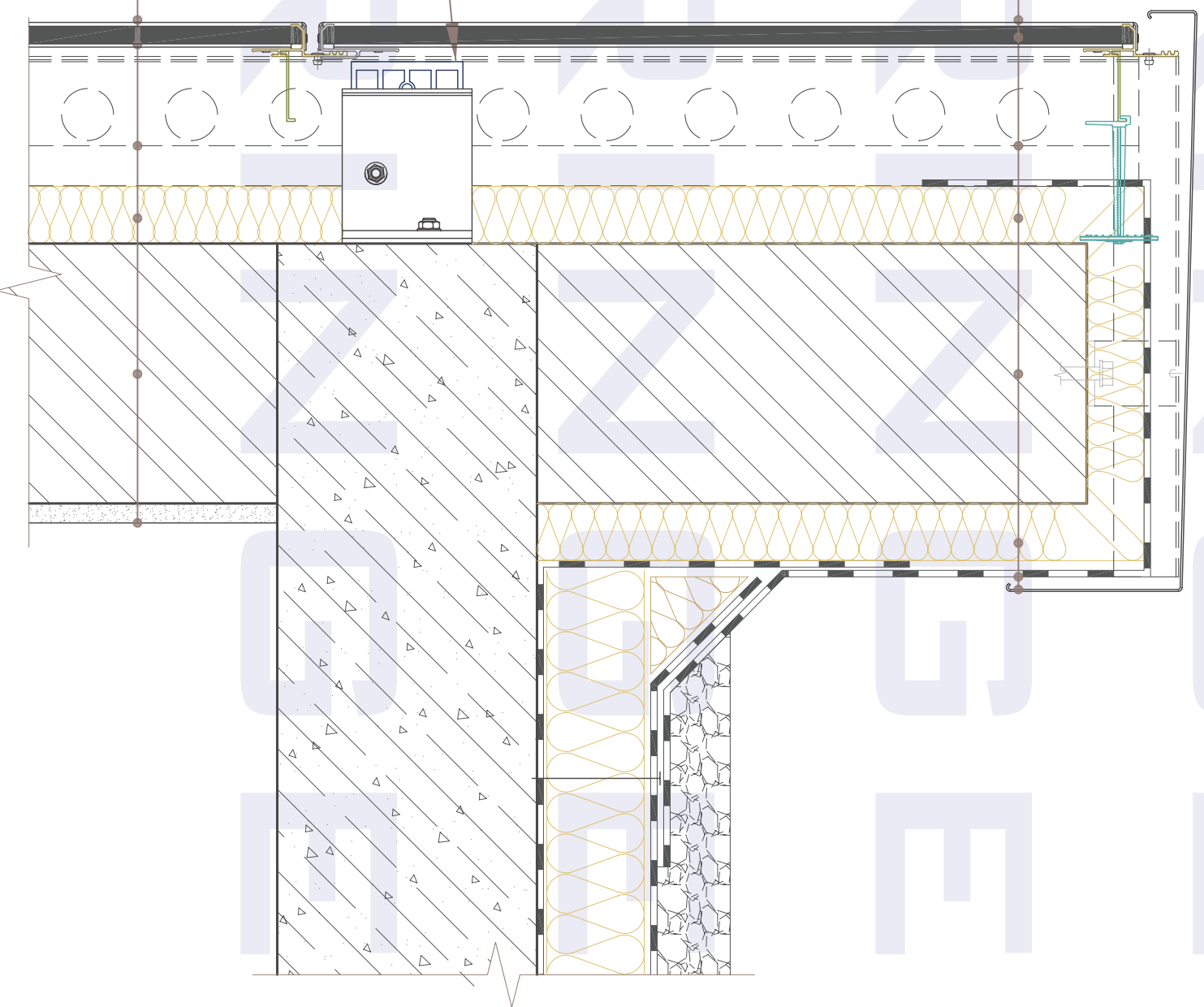
Insulation 50...200 mm

- Finishing
- Inside masonry
- Insulation
- ZSO subframe
- Aerial streak
- Metal panel

# ELEVATION VIEW

(parapet)

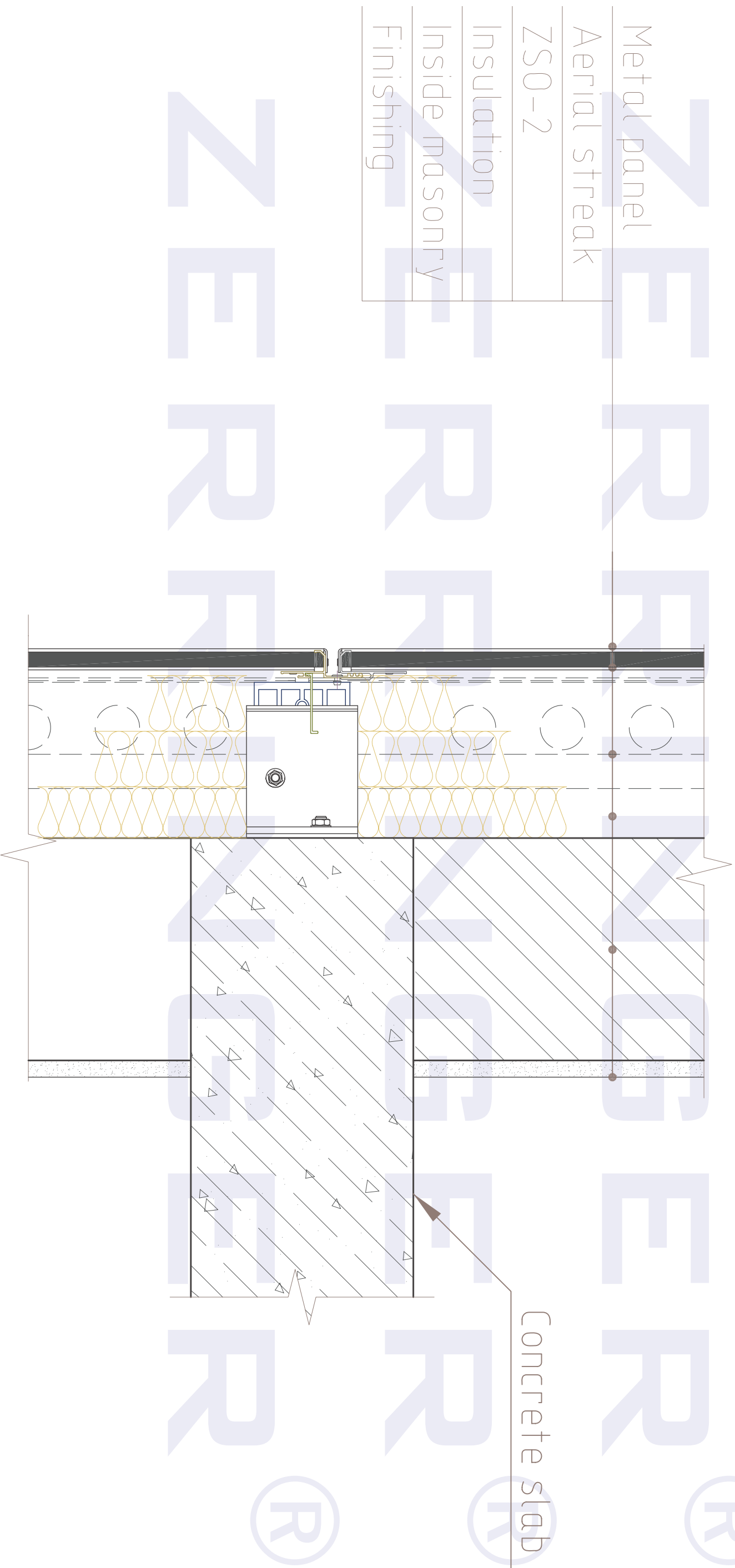
- Metal panel
- Aerial streak
- ZSO-2
- Insulation
- Masonry
- Insulation
- Multi-layer hydro barrier
- Galvanized sheet steel
- Banding with profiled slope



Cartridge without  
inner tubes

- Metal panel
- Aerial streak
- ZSO-2
- Insulation
- Inside masonry
- Finishing

ELEVATION VIEW  
(overlapping detail)



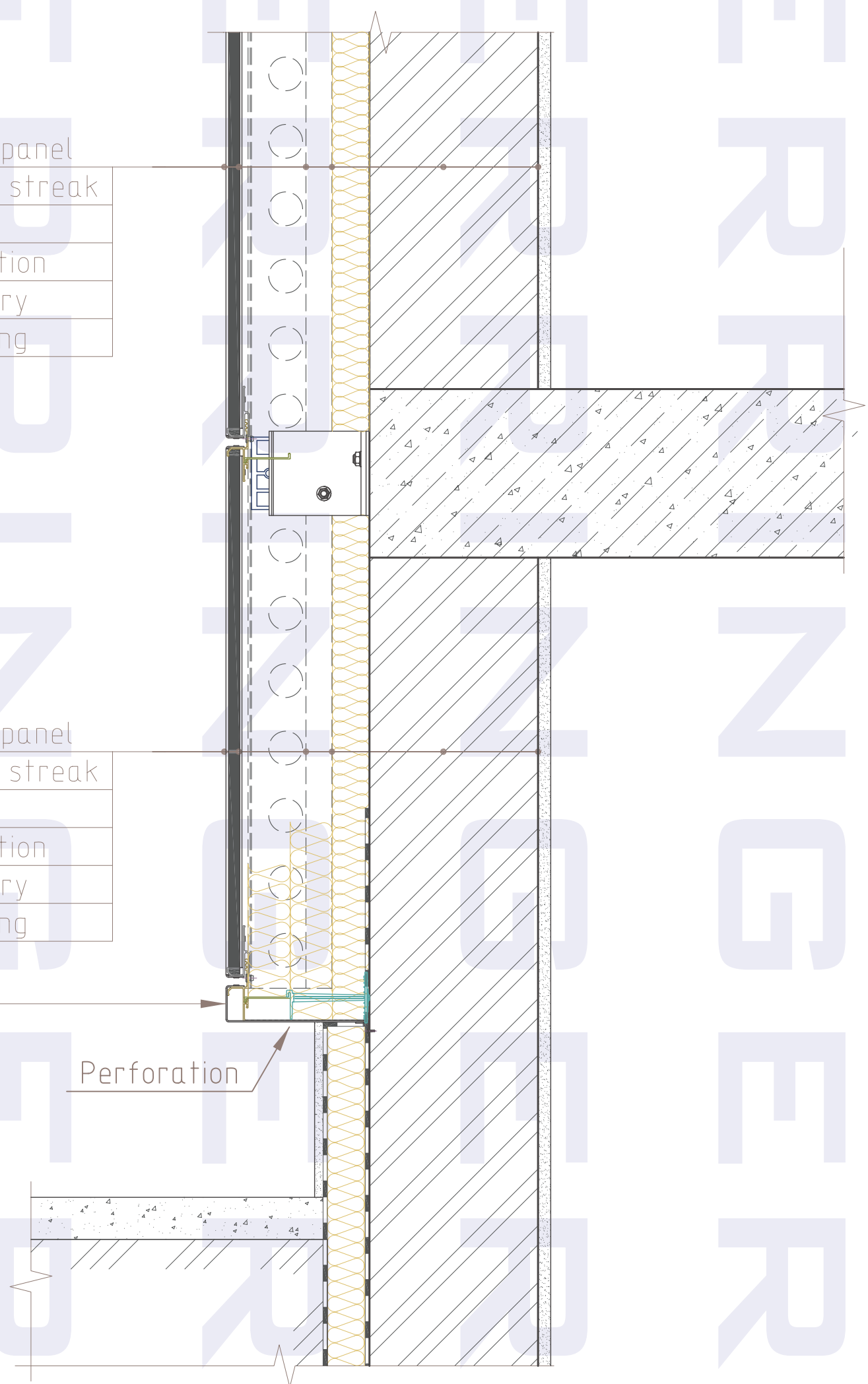
ELEVATION VIEW  
(basement)

- Metal panel
- Aerial streak
- ZSO-2
- Insulation
- Masonry
- Finishing

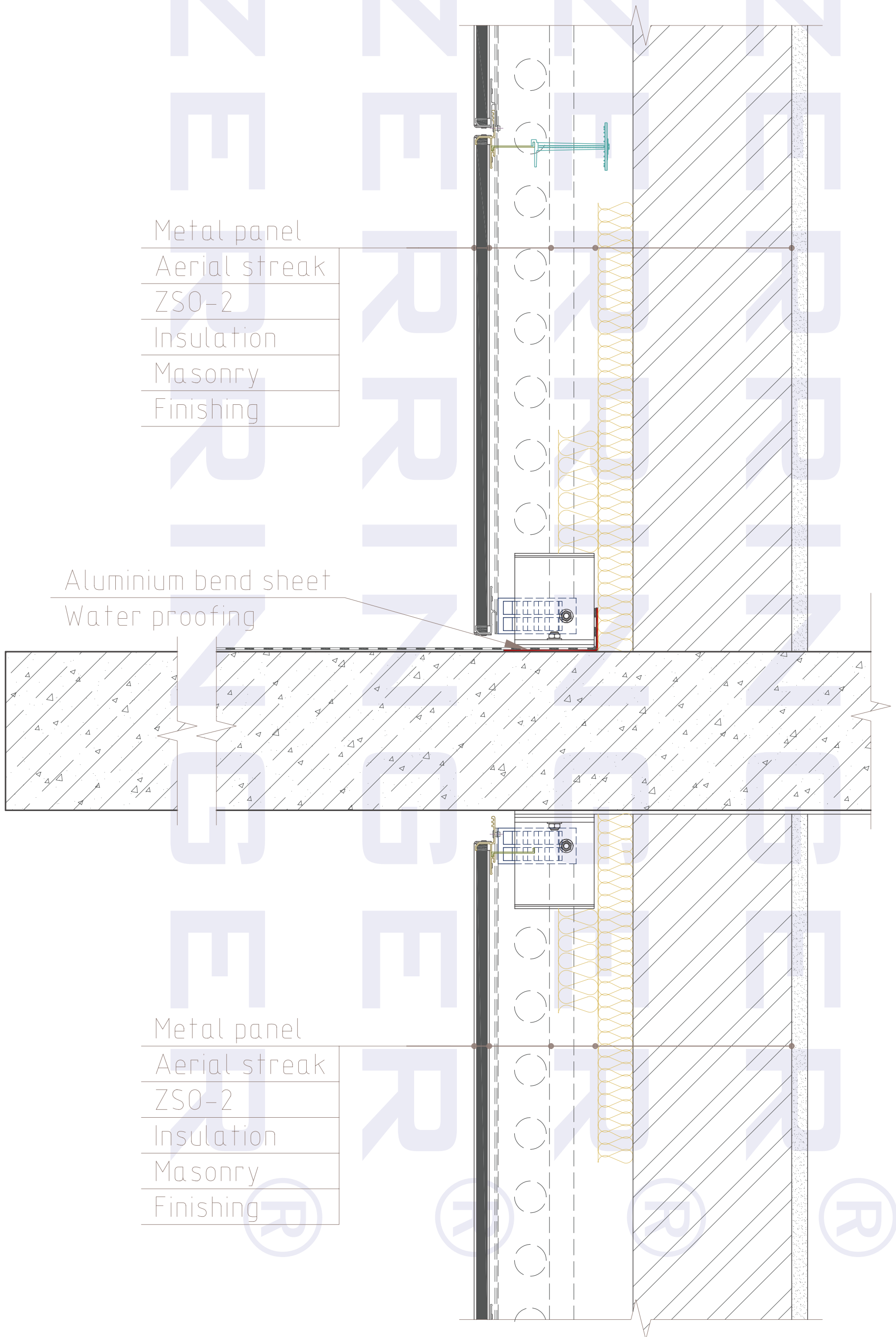
- Metal panel
- Aerial streak
- ZSO-2
- Insulation
- Masonry
- Finishing

ZSO-13 ws. aluminium  
bending sheet

Perforation



# ELEVATION VIEW (balcony)

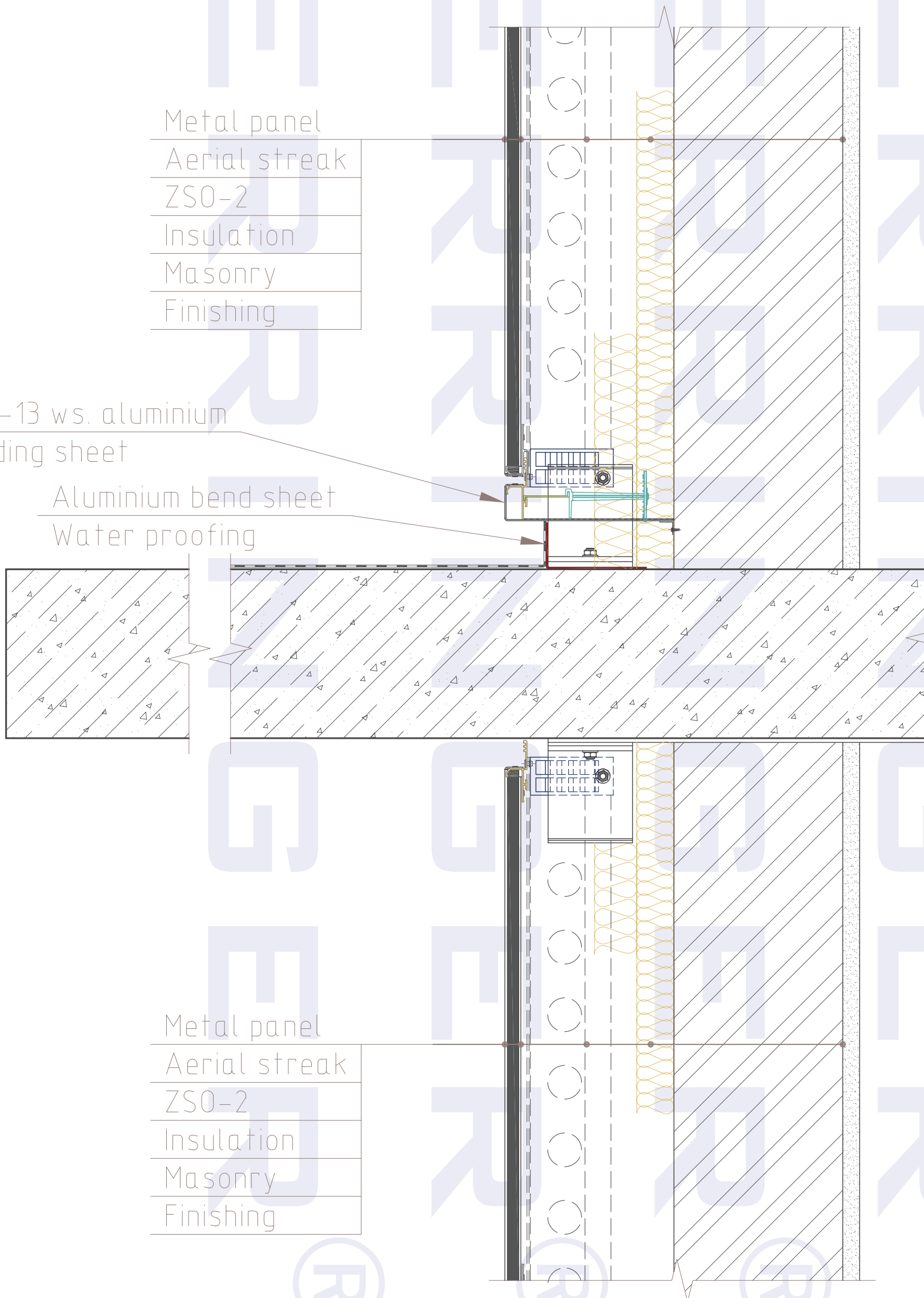


# ELEVATION VIEW (balcony) – variant

- Metal panel
- Aerial streak
- ZSO-2
- Insulation
- Masonry
- Finishing

ZSO-13 ws. aluminium bending sheet

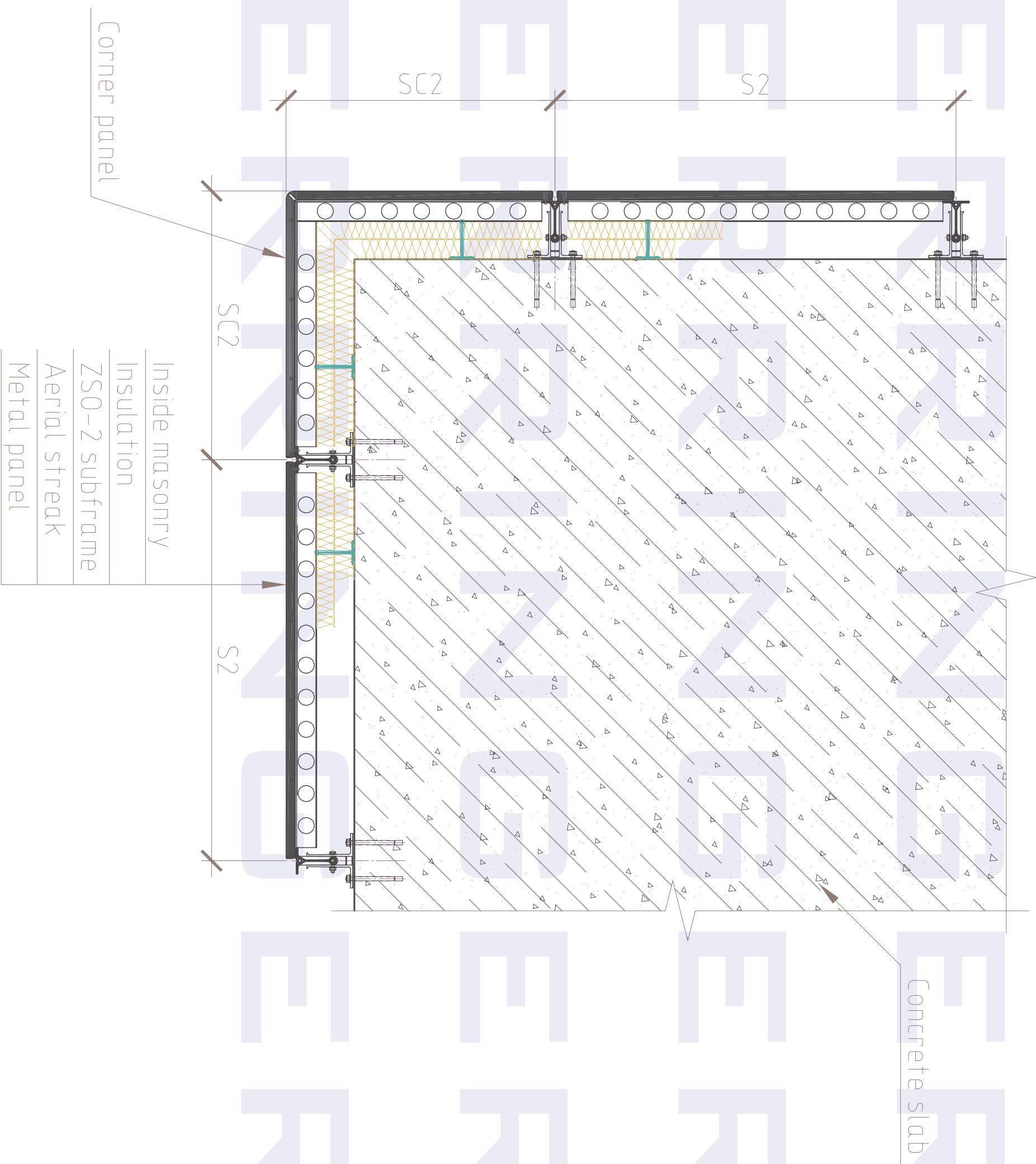
Aluminium bend sheet  
Water proofing



- Metal panel
- Aerial streak
- ZSO-2
- Insulation
- Masonry
- Finishing



TOP VIEW - external corner



Concrete slab

Corner panel

SC2

S2

SC2

S2

Inside masonry

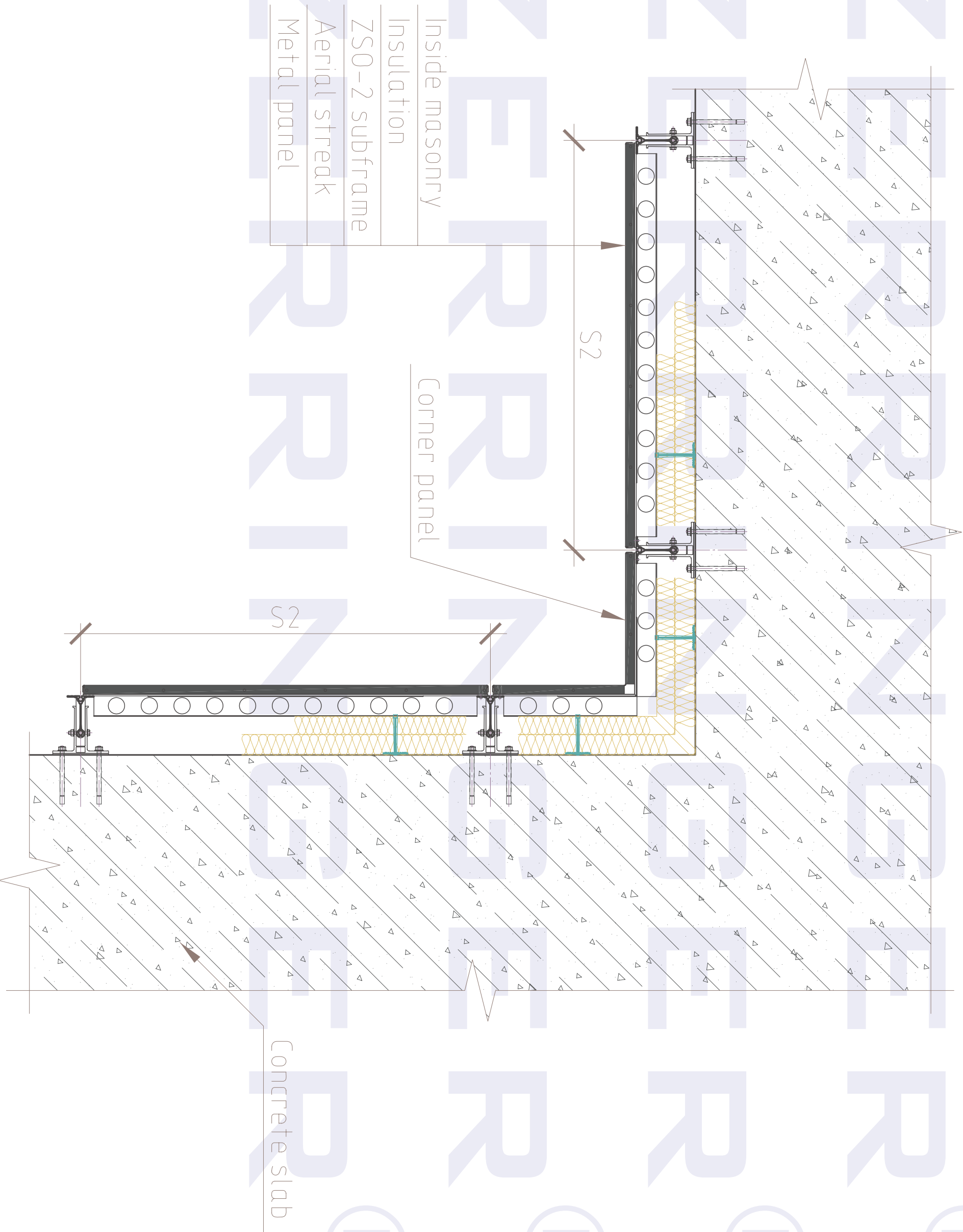
Insulation

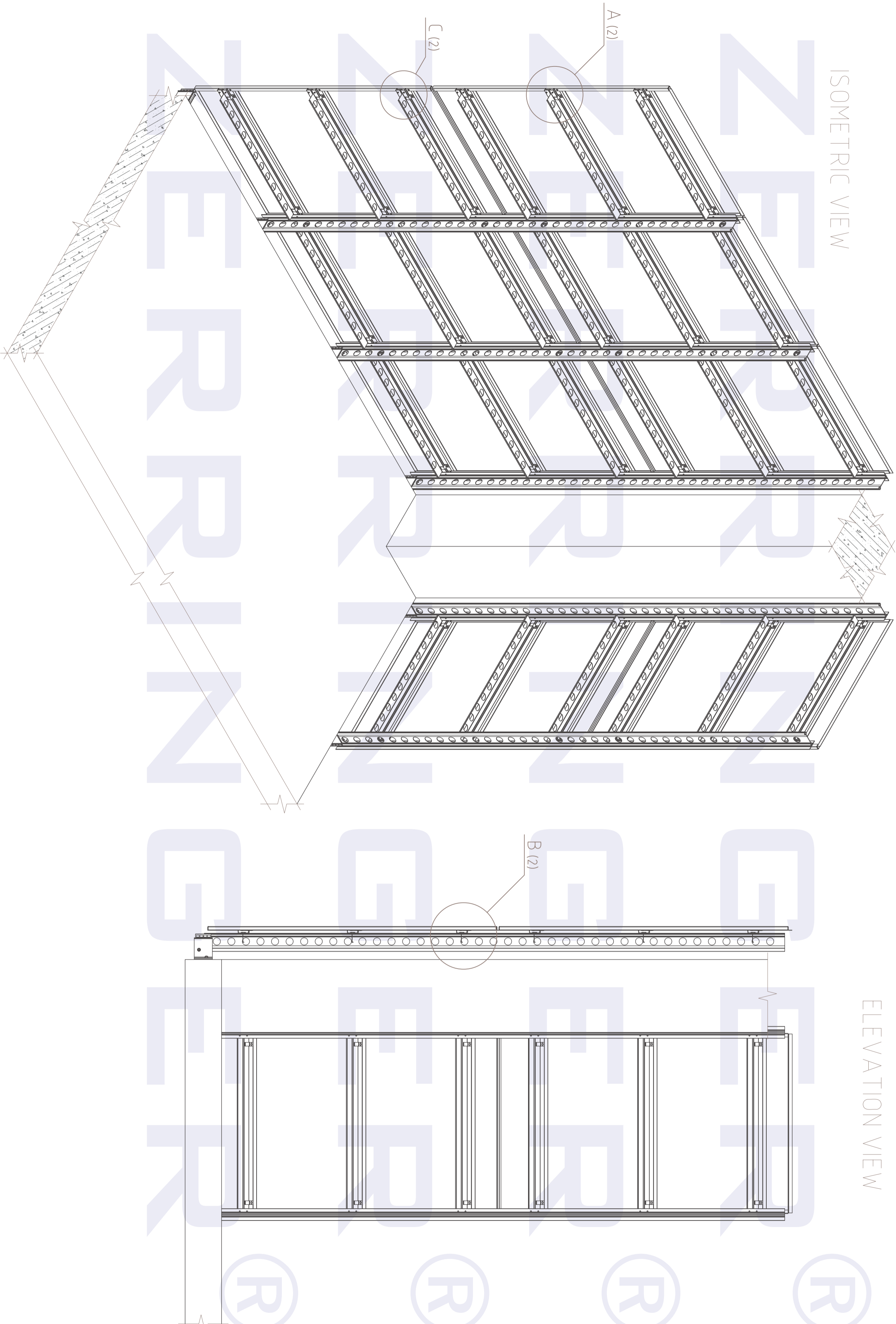
ZSO-2 subframe

Aerial streak

Metal panel

TOP VIEW - internal corner





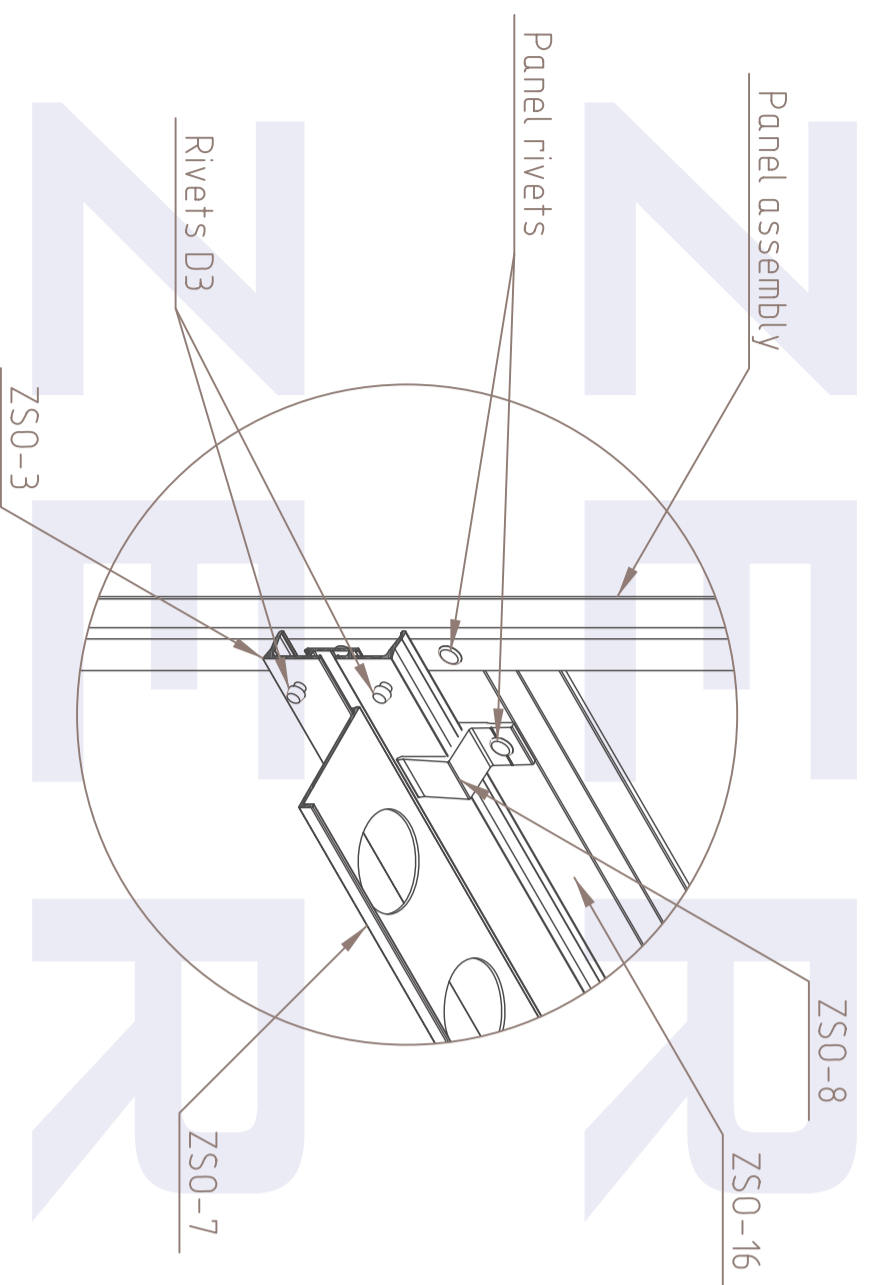
ISOMETRIC VIEW

ELEVATION VIEW

**ZERRINGER**

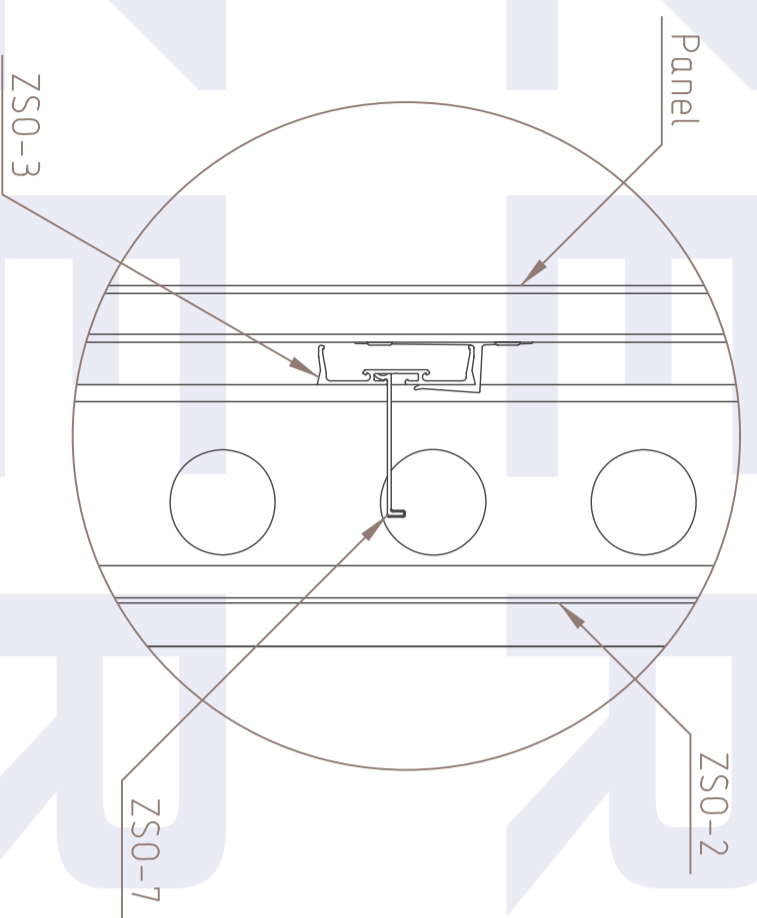
A  
1

Sliding point or point w/o gap



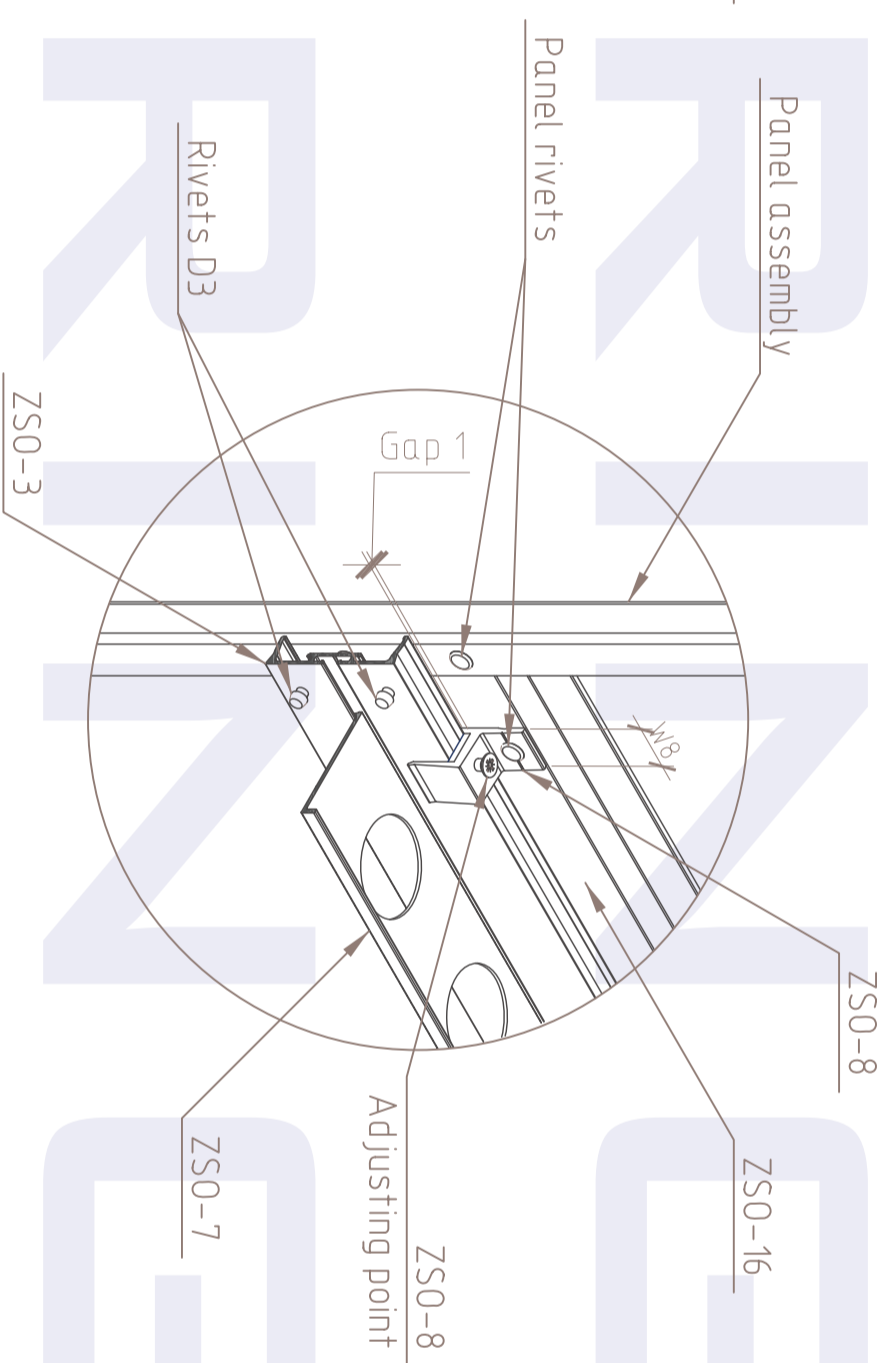
B  
1

Sliding point or point w/o gap



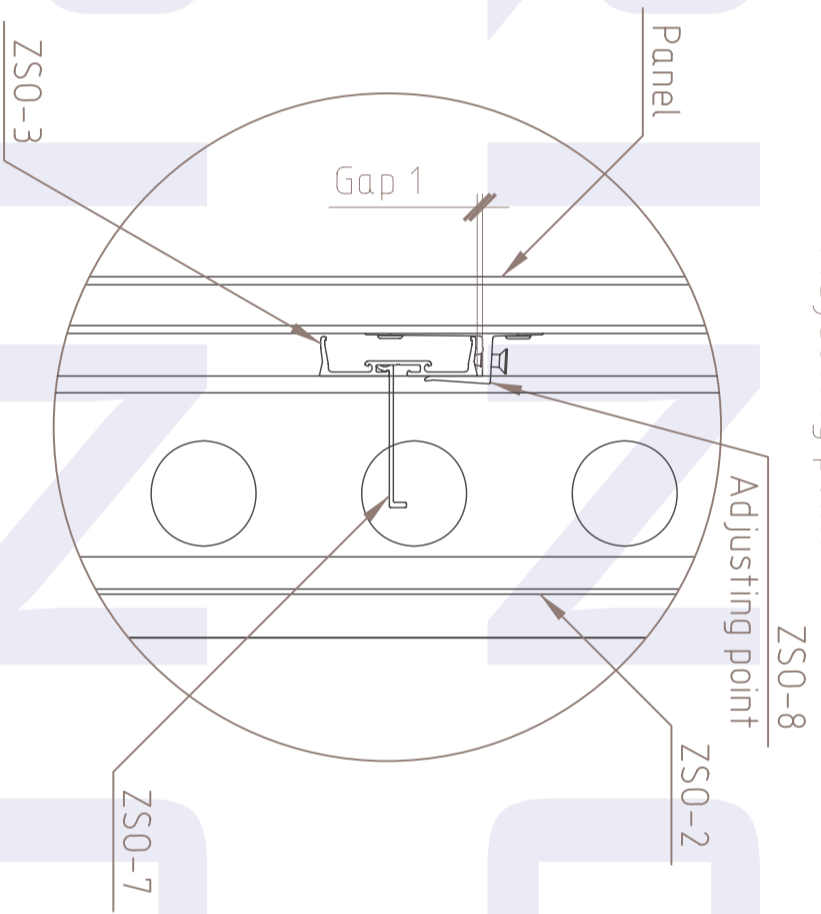
C  
1

Adjusting point



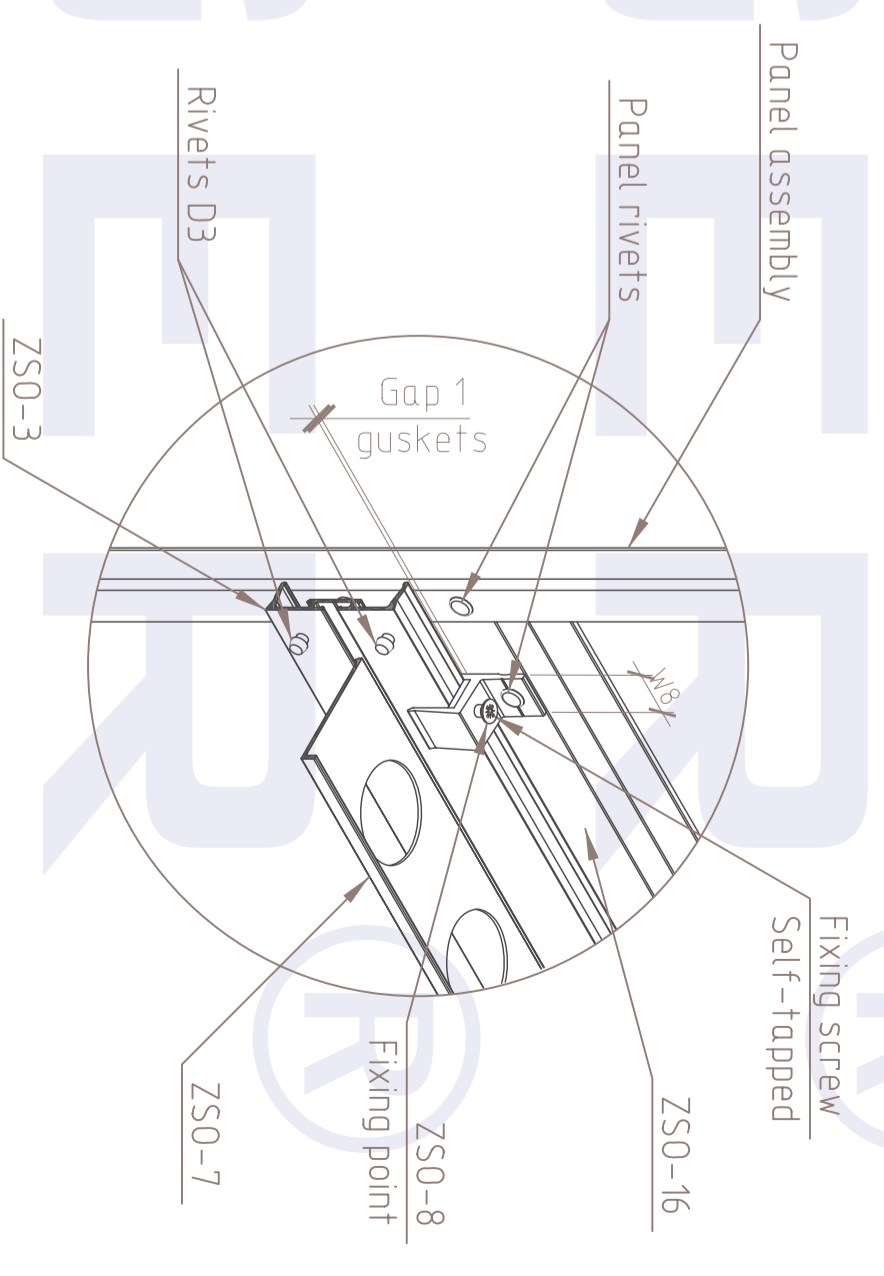
C  
1

Adjusting point



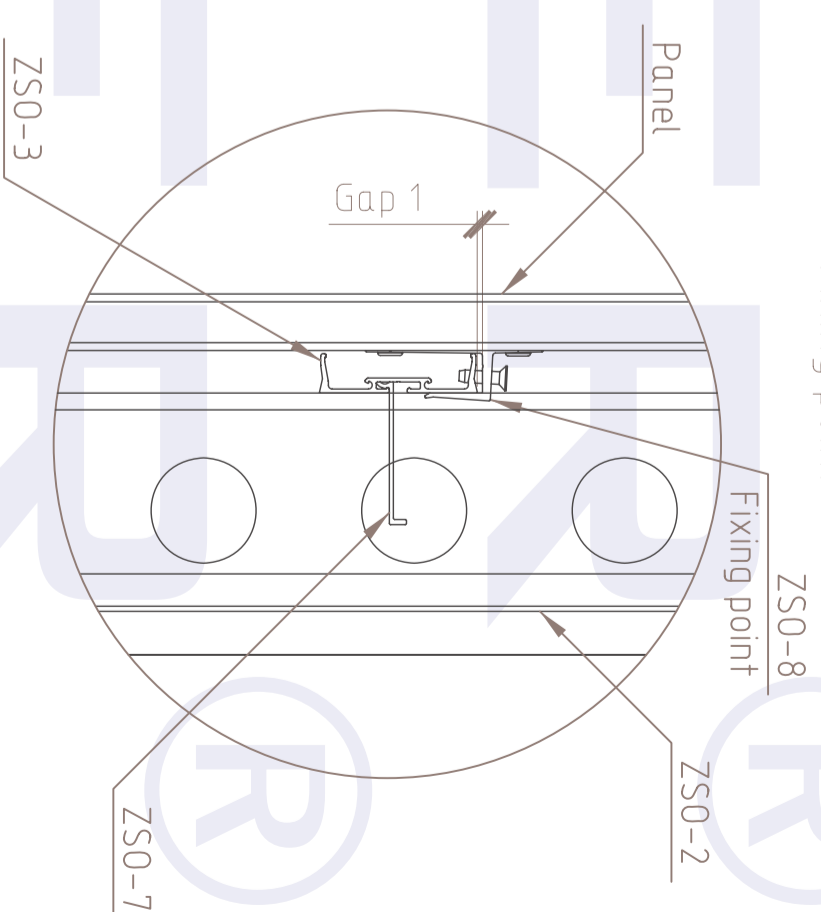
C  
1

Fixing point



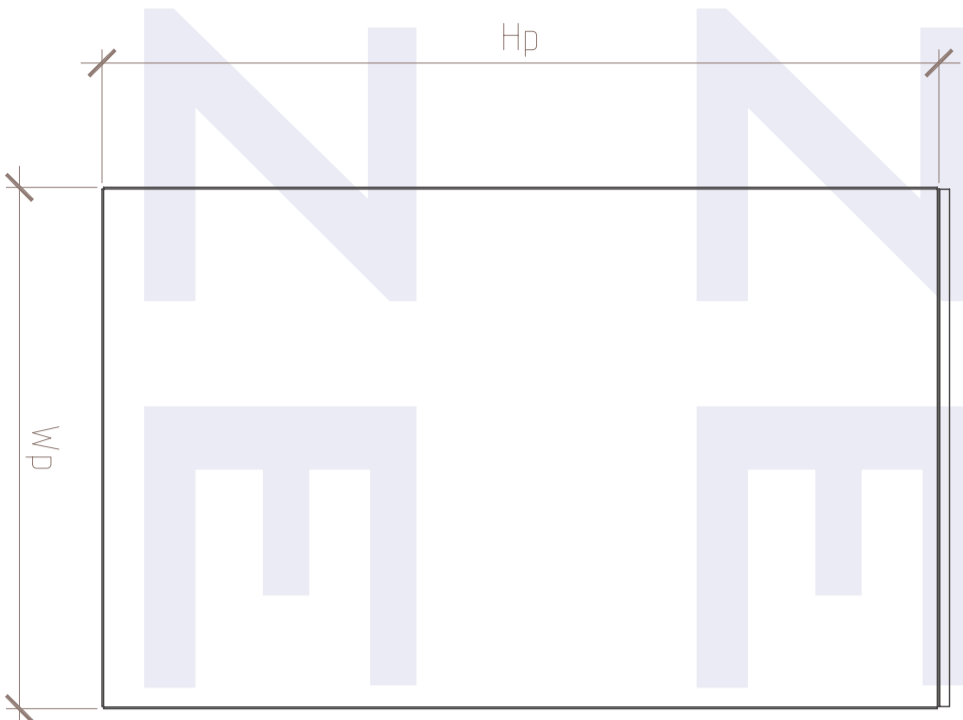
C  
1

Fixing point

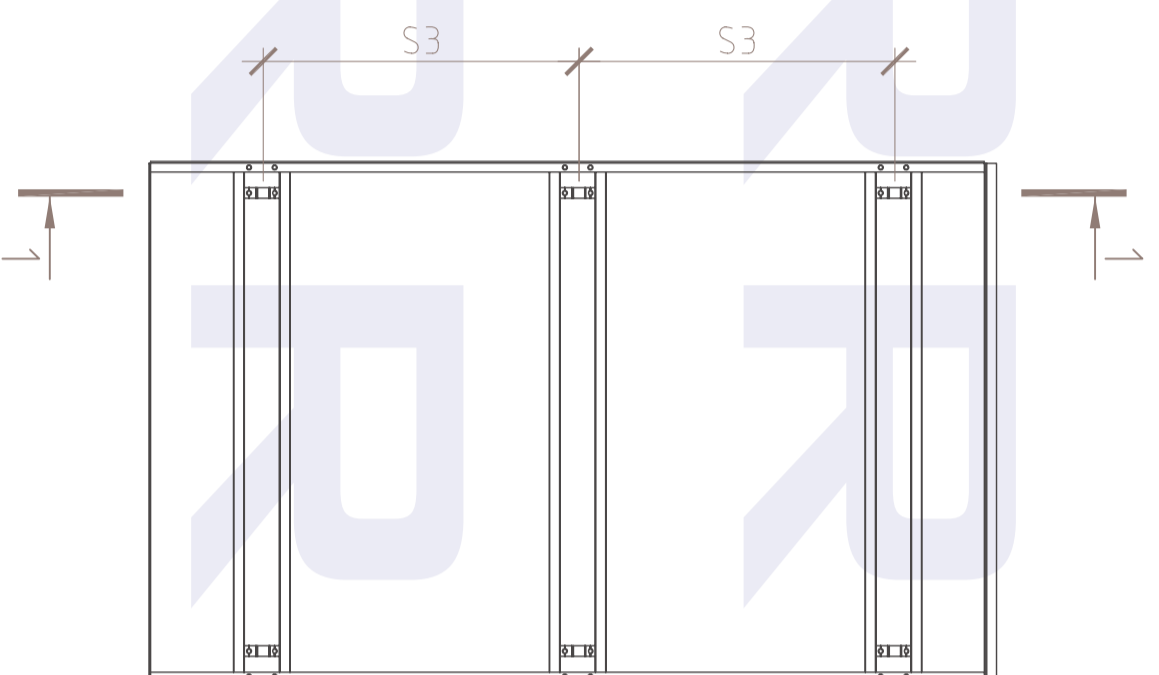


Panel assembly may be fixed invisibly by fixing ZSO-8 hanging brackets with rivets to the back of the panel. Invisible fixings for panels are possible to a limited extent. The panels are fixed to ZSO-3 + ZSO-2 subframe. Each panel has adjusting points and a fixed points at the top; so adjusting is possible and unwanted movement of the whole panel can not happen.

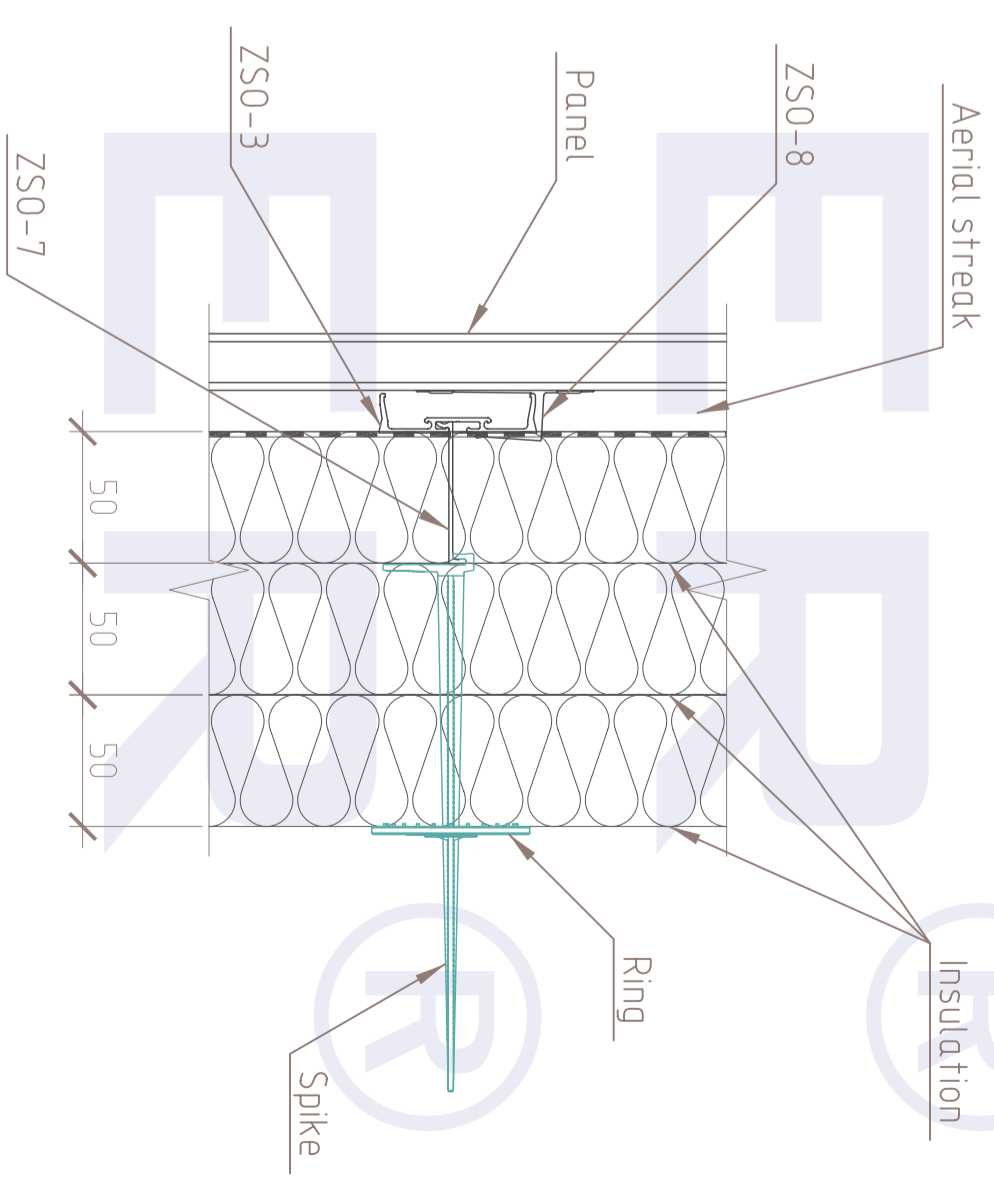
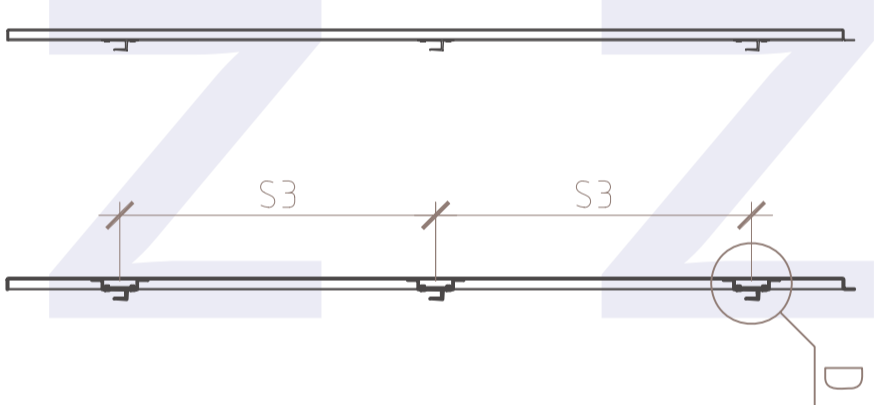
PANEL. Front side



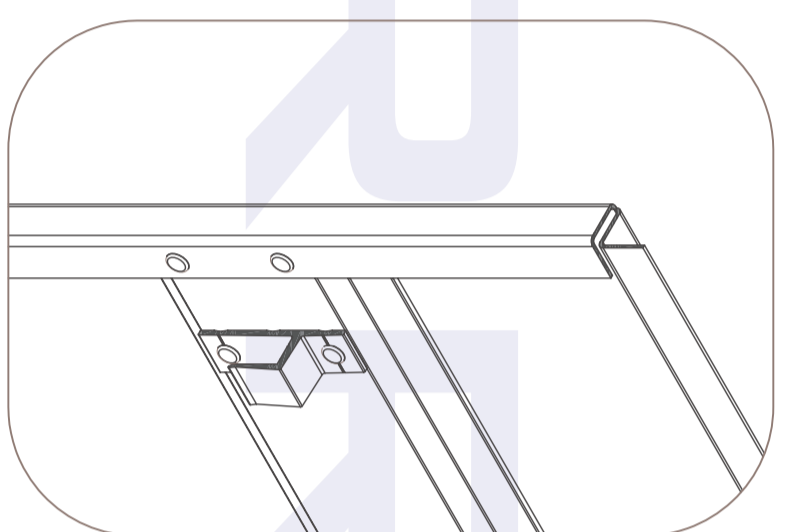
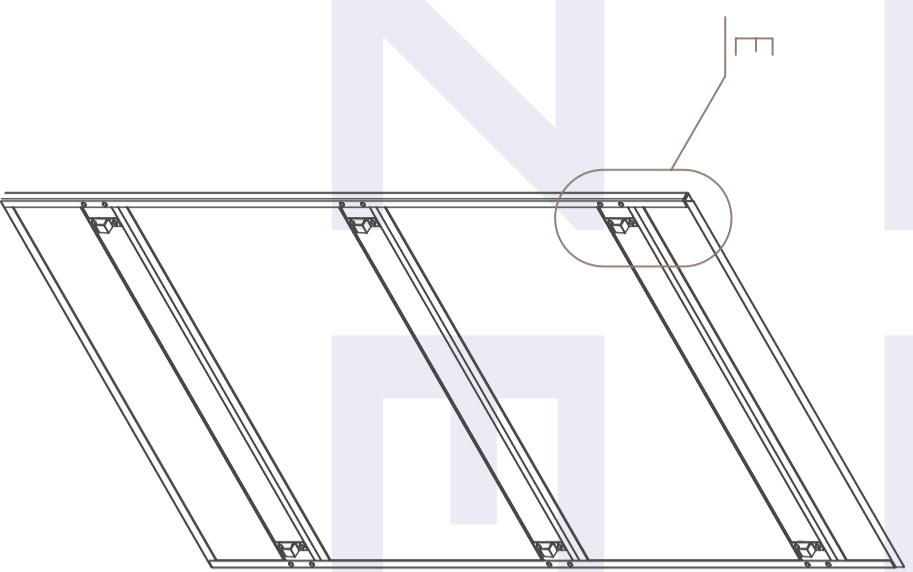
PANEL. Back side



1-1

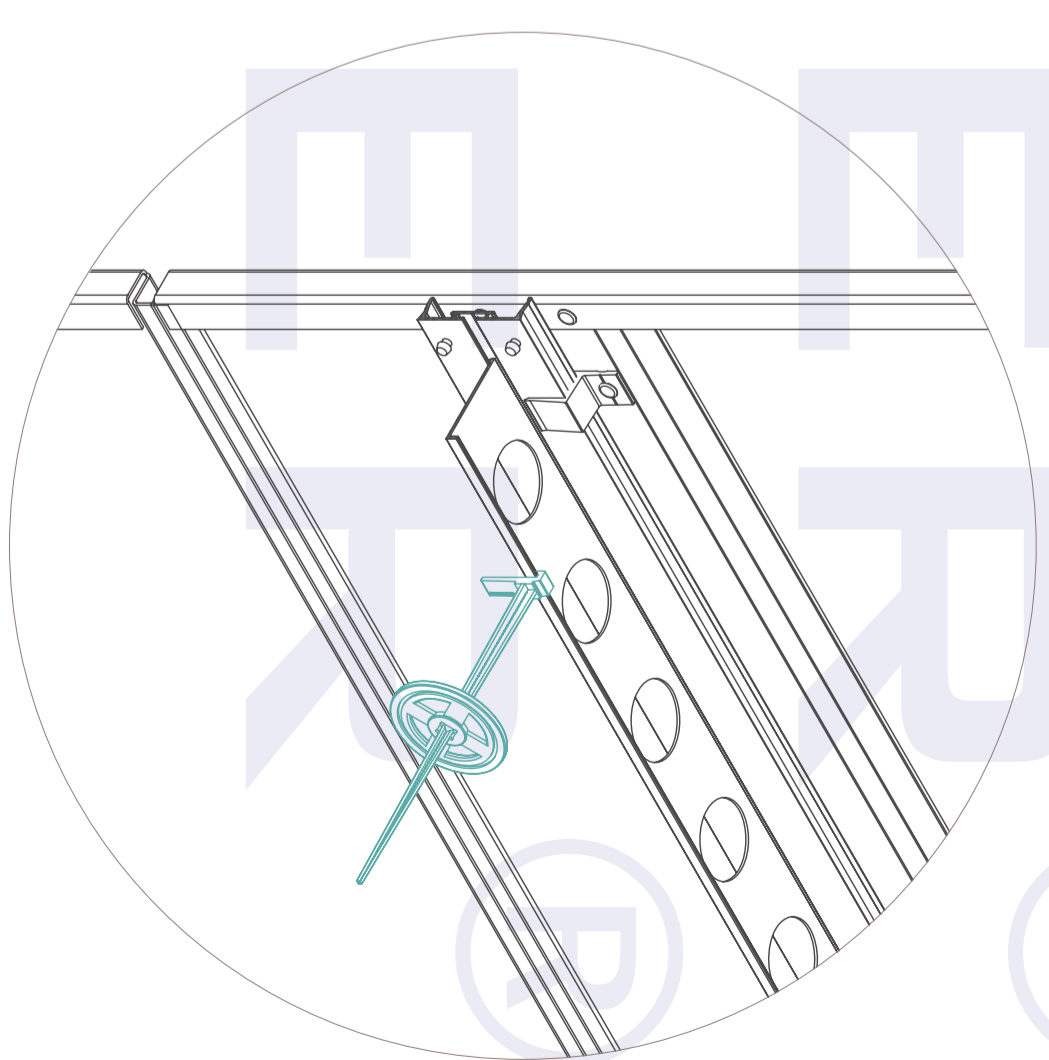
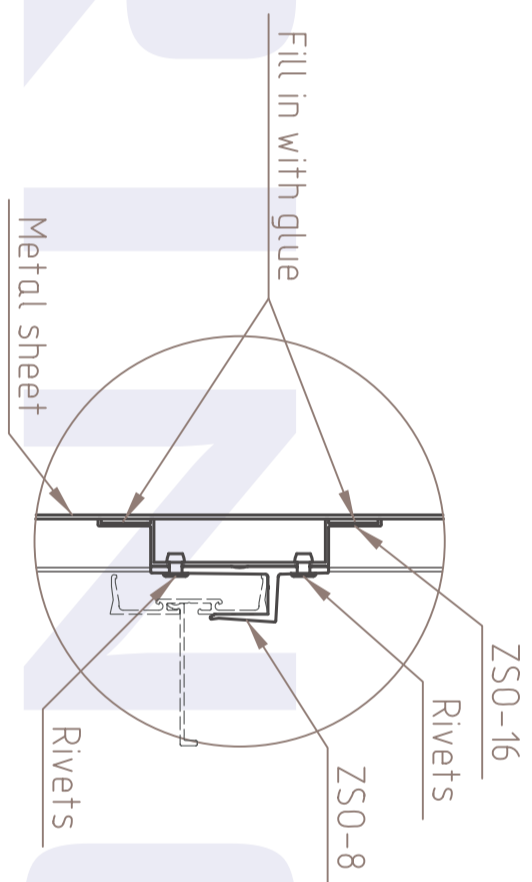


PANEL. Isometric view

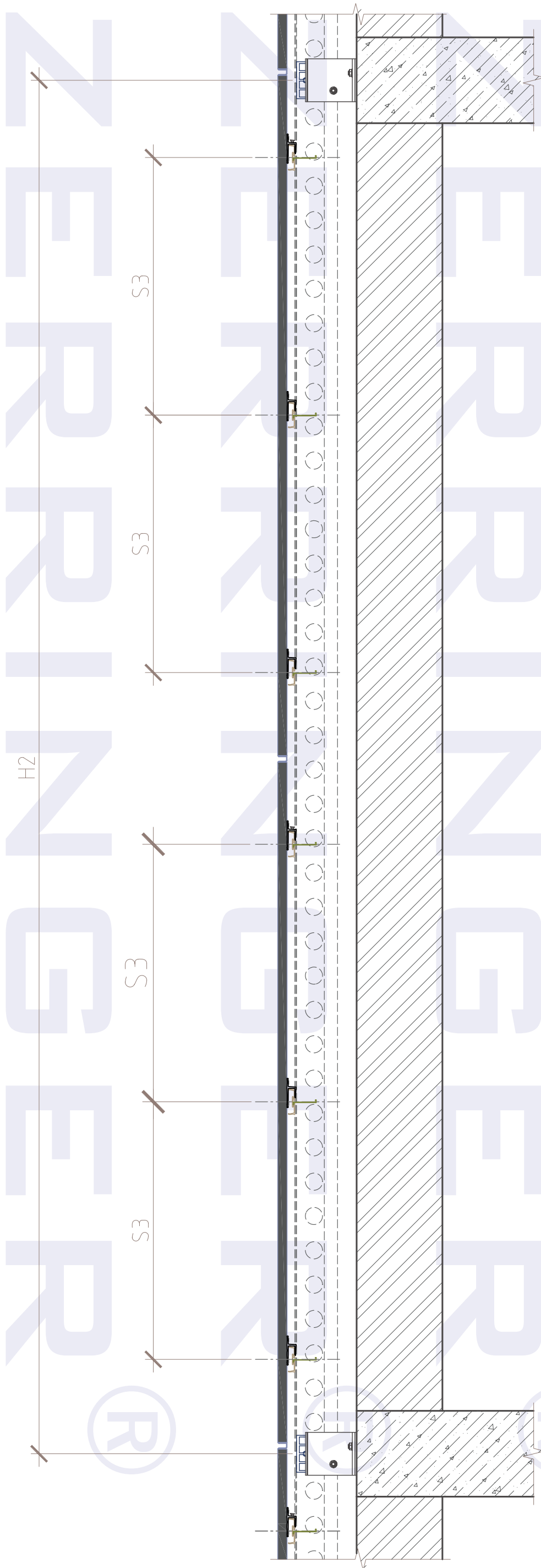


E

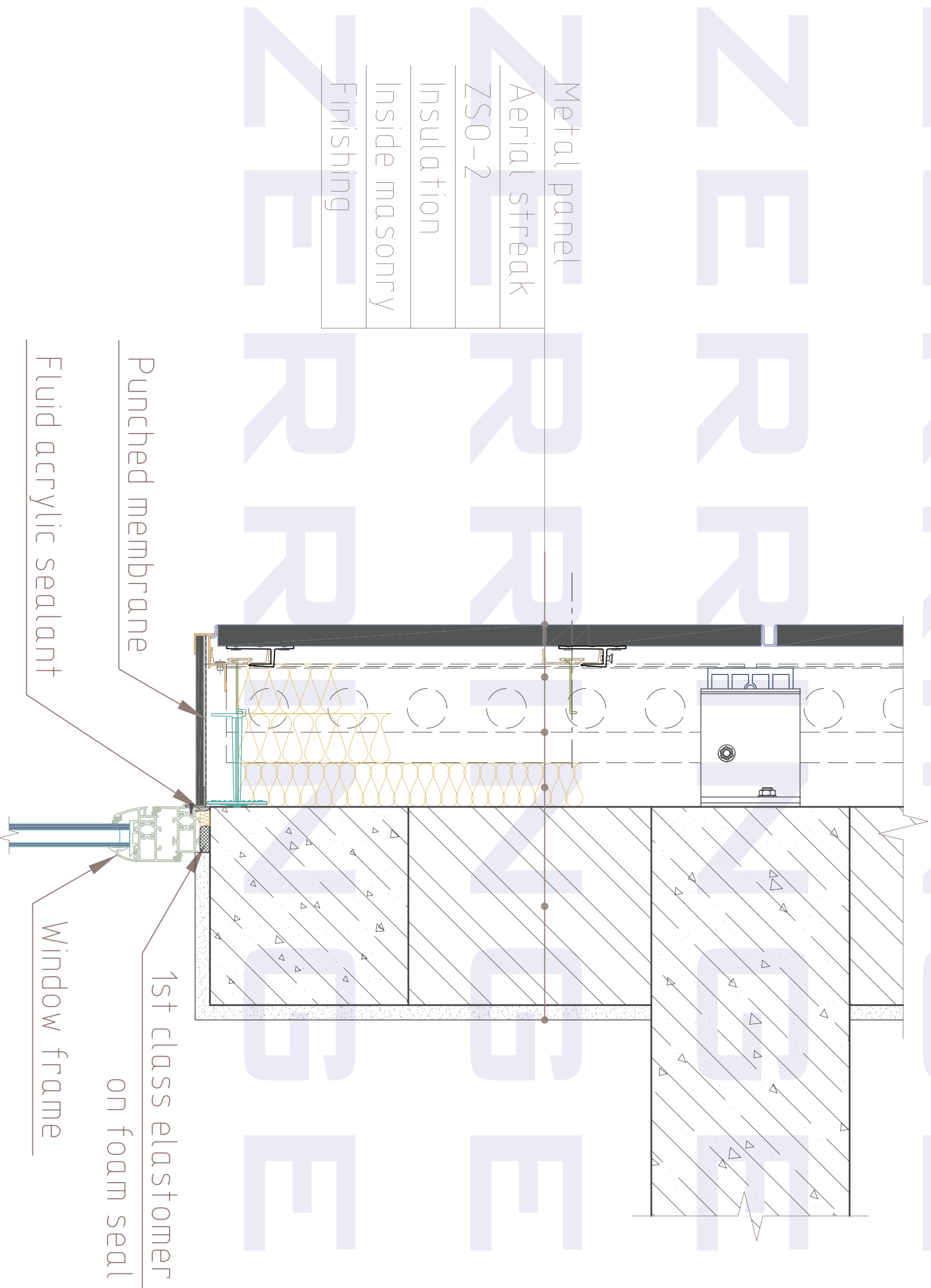
D



ELEVATION VIEW (blank wall)

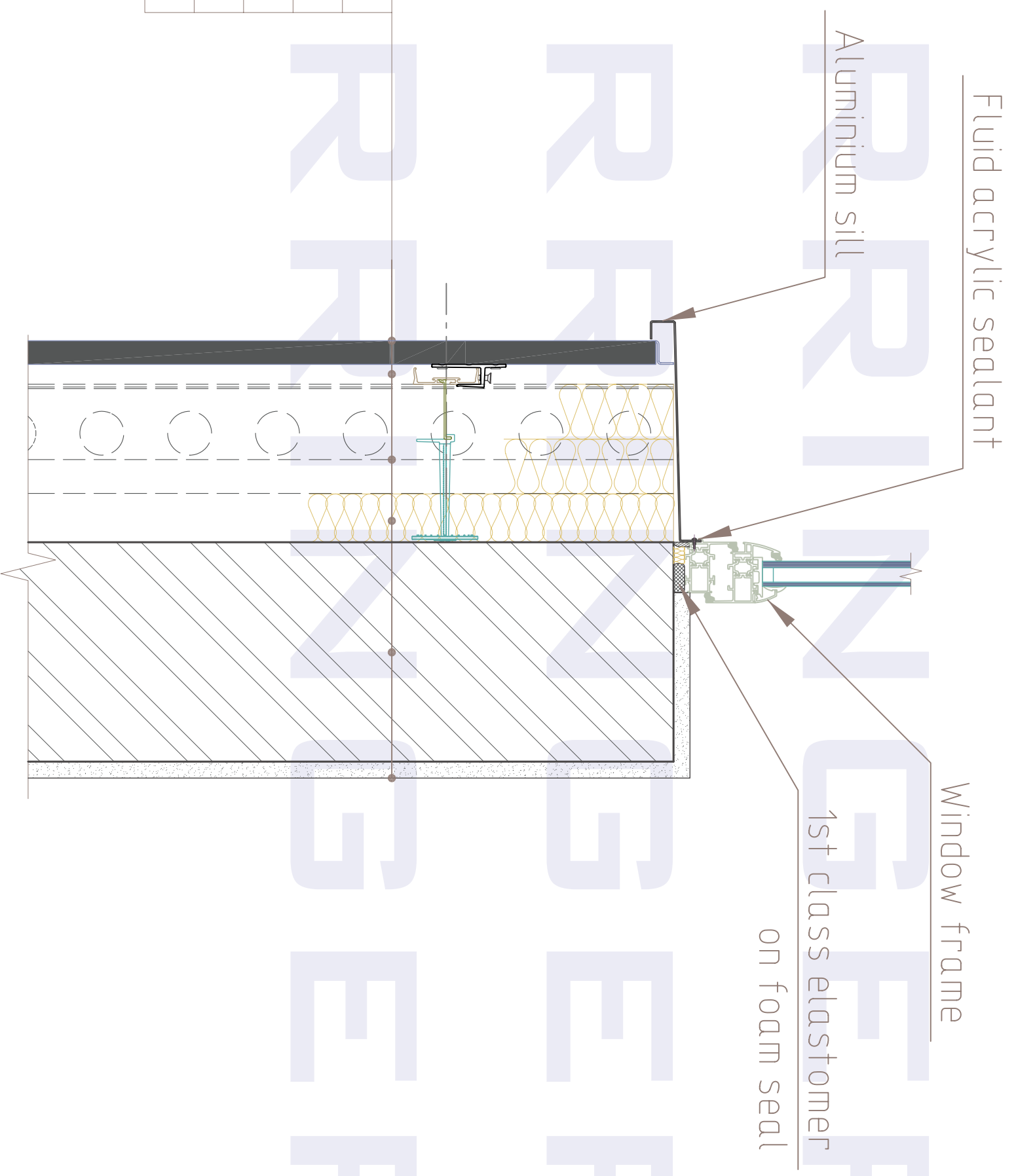


# ELEVATION VIEW (wall with window opening)



# ELEVATION VIEW

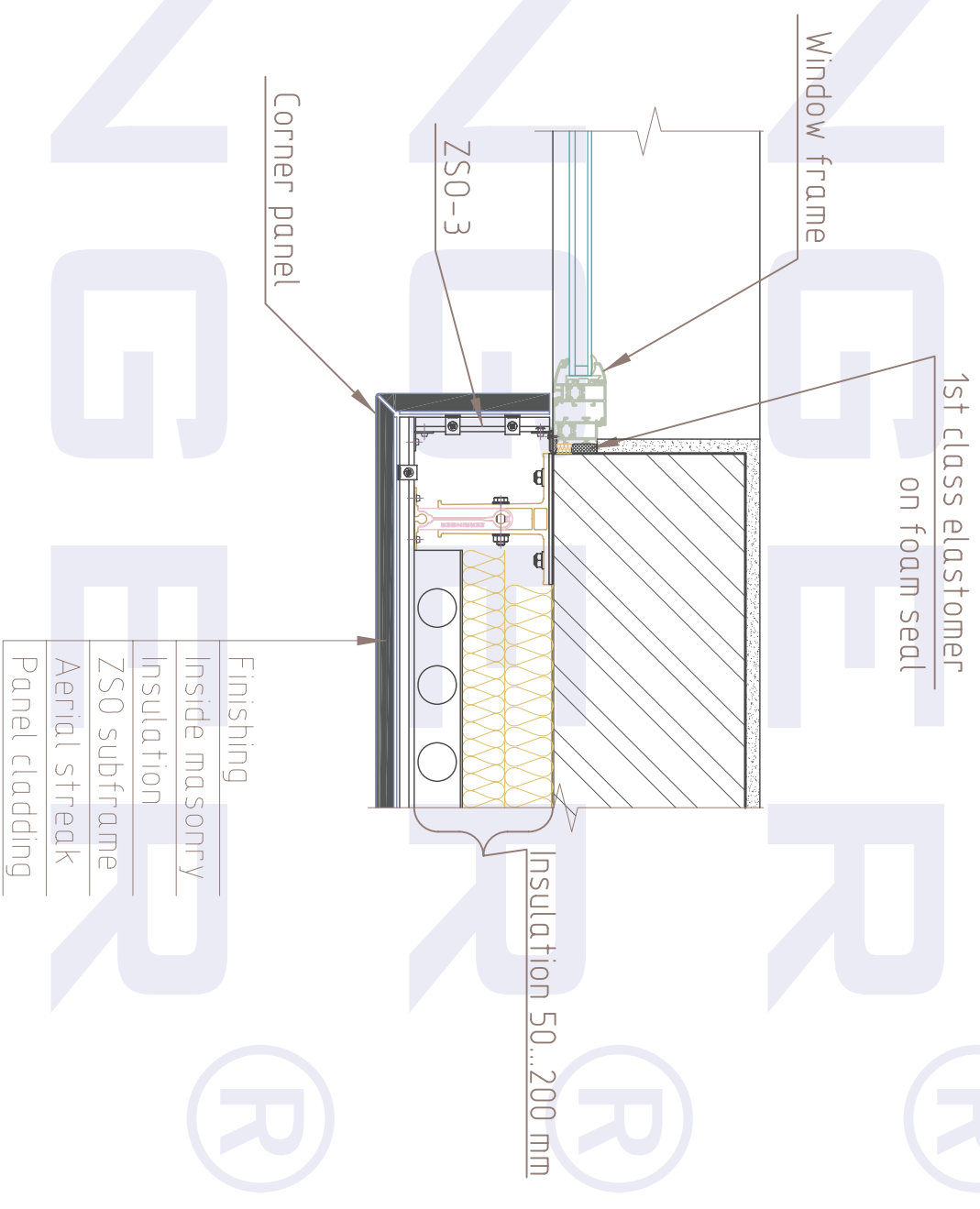
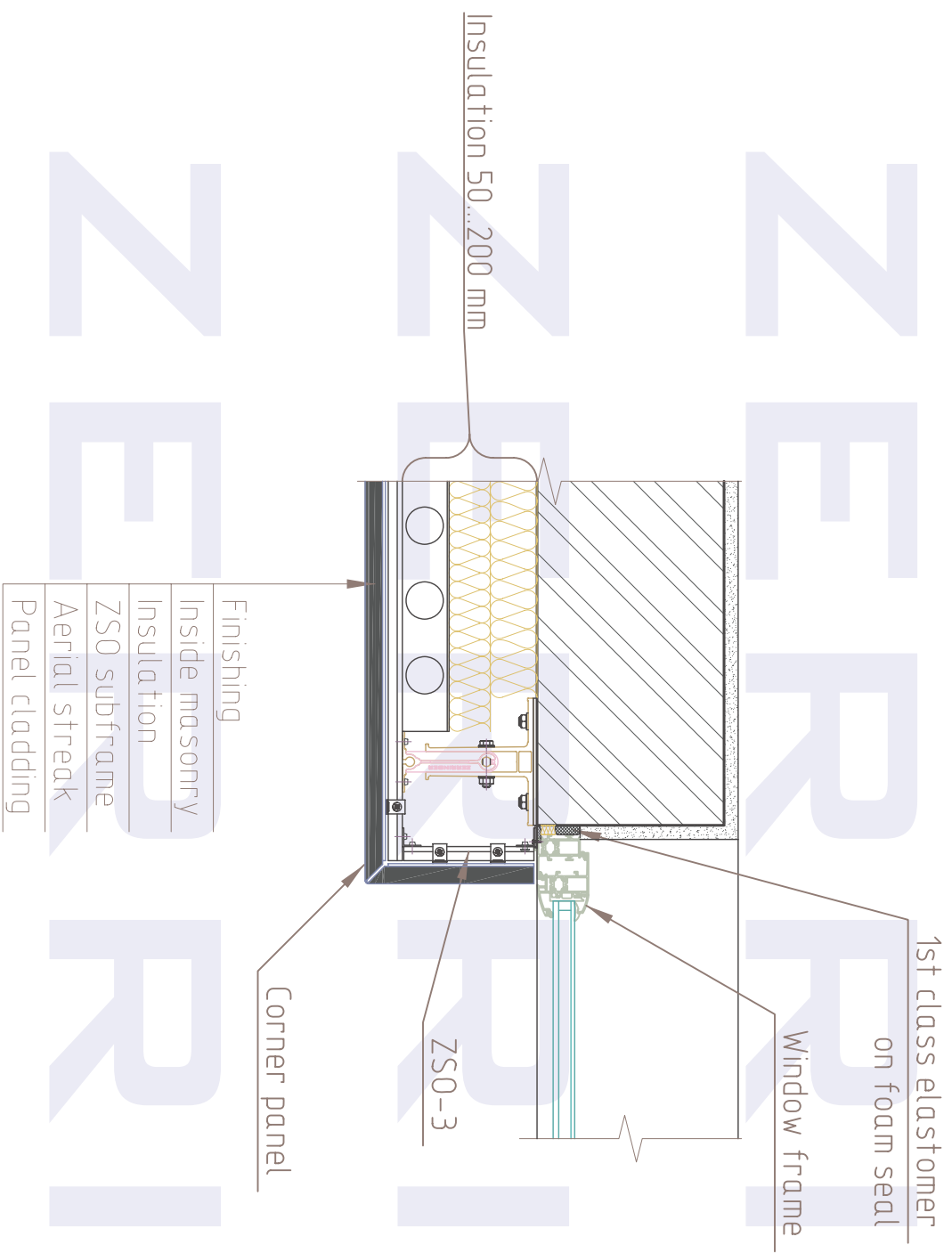
(wall with window opening)



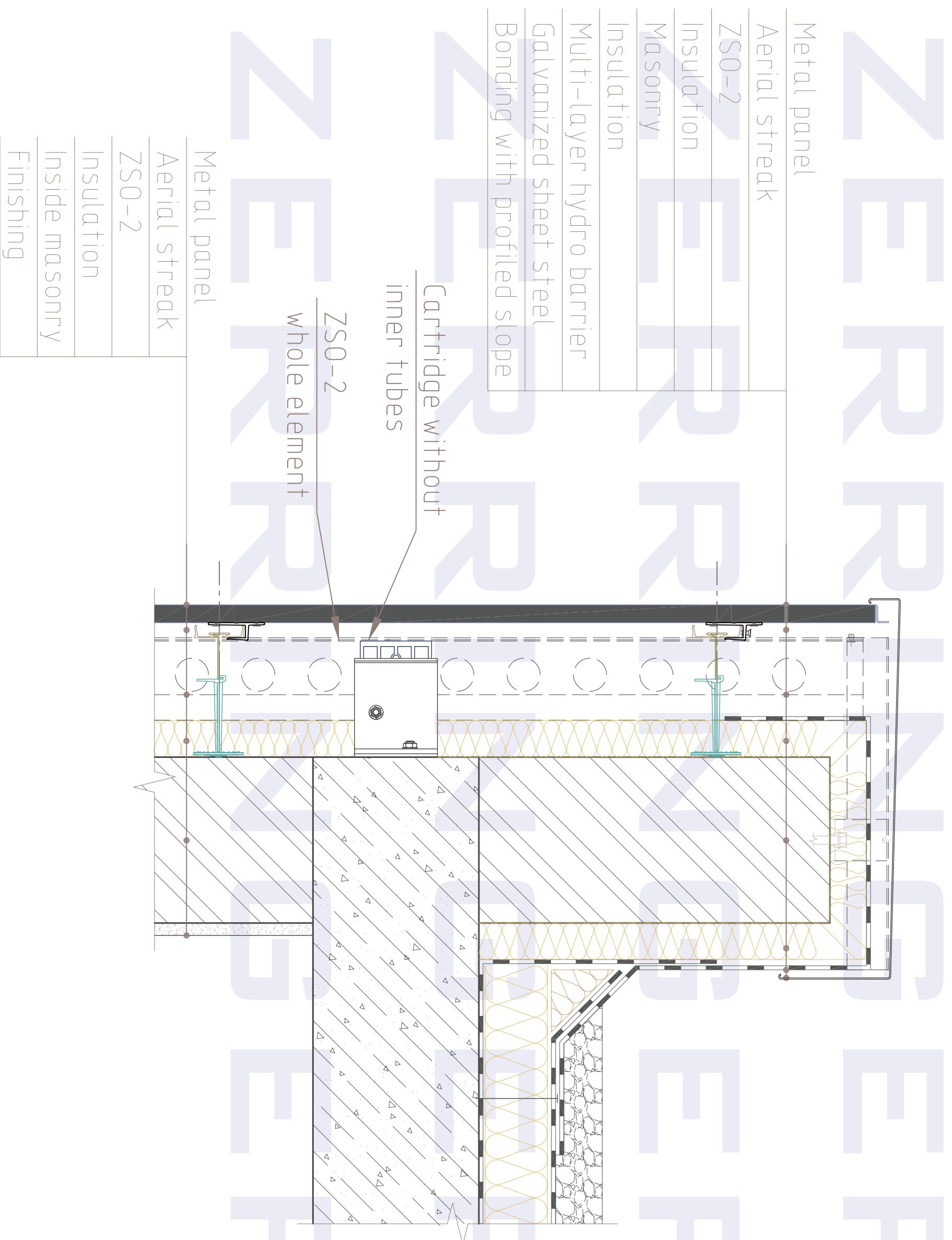
Metal panel
Aerial streak
ZSO-2
Insulation
Inside masonry
Finishing



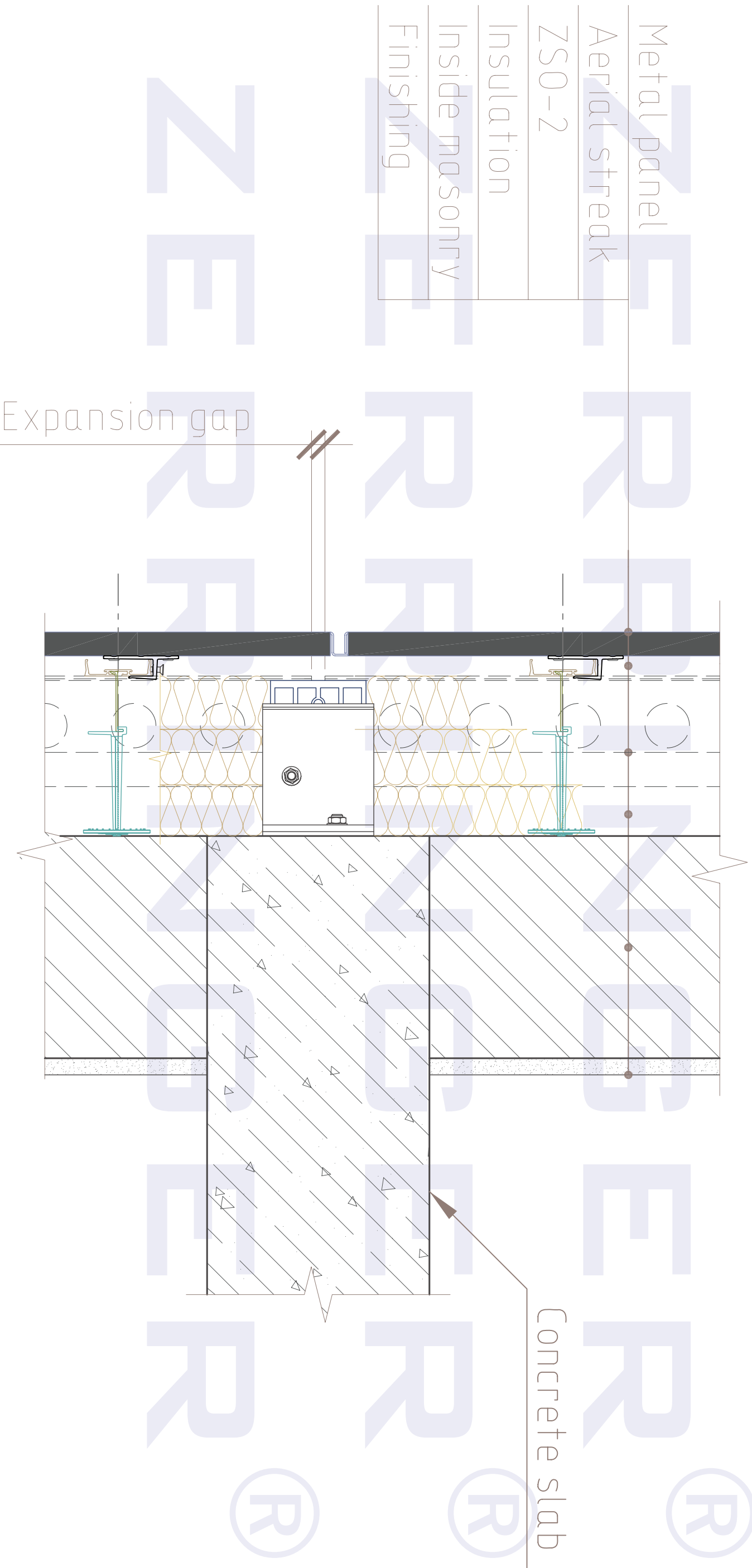
TOP VIEW  
(window opening)



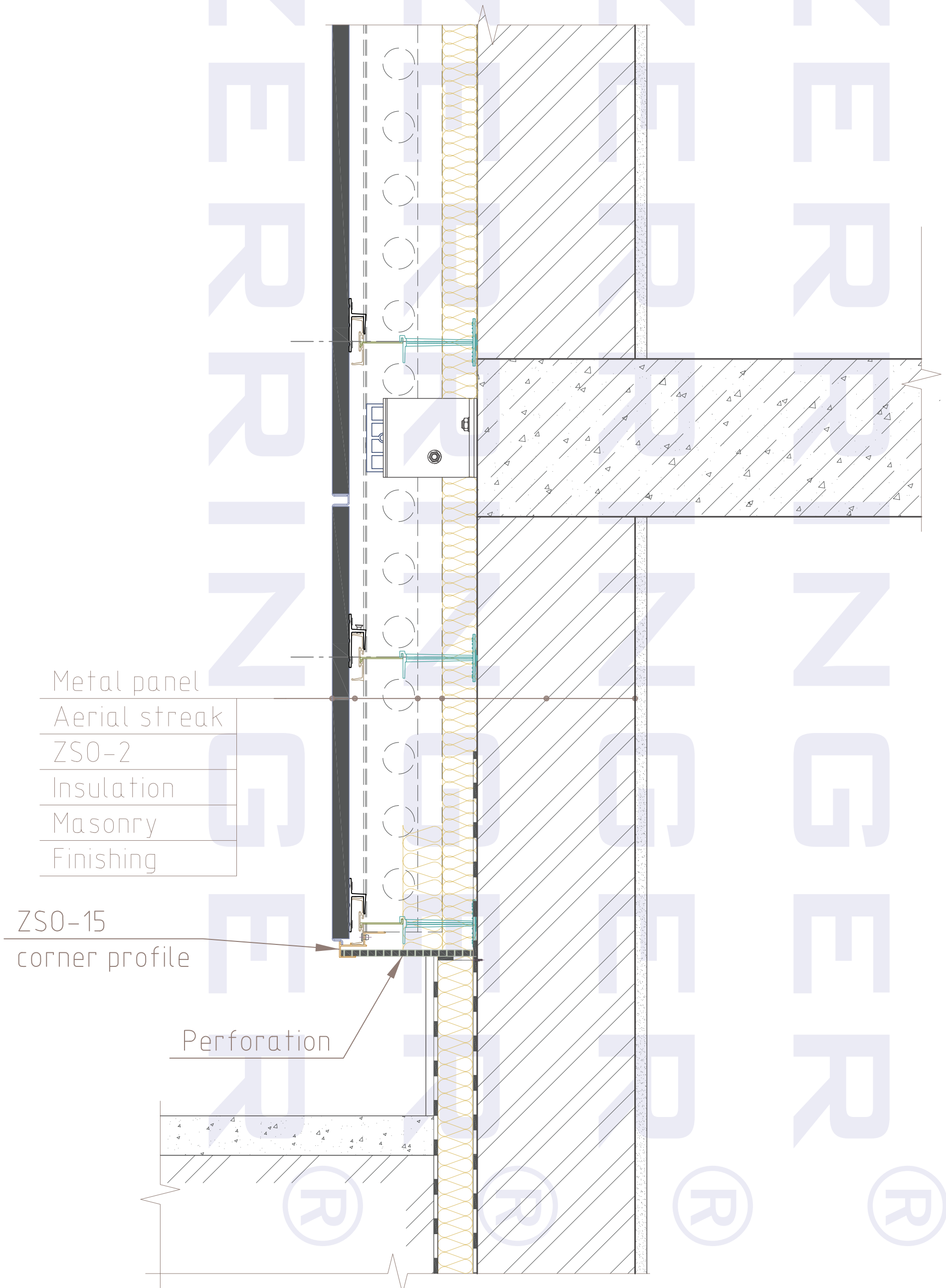
ELEVATION VIEW  
(parapet)



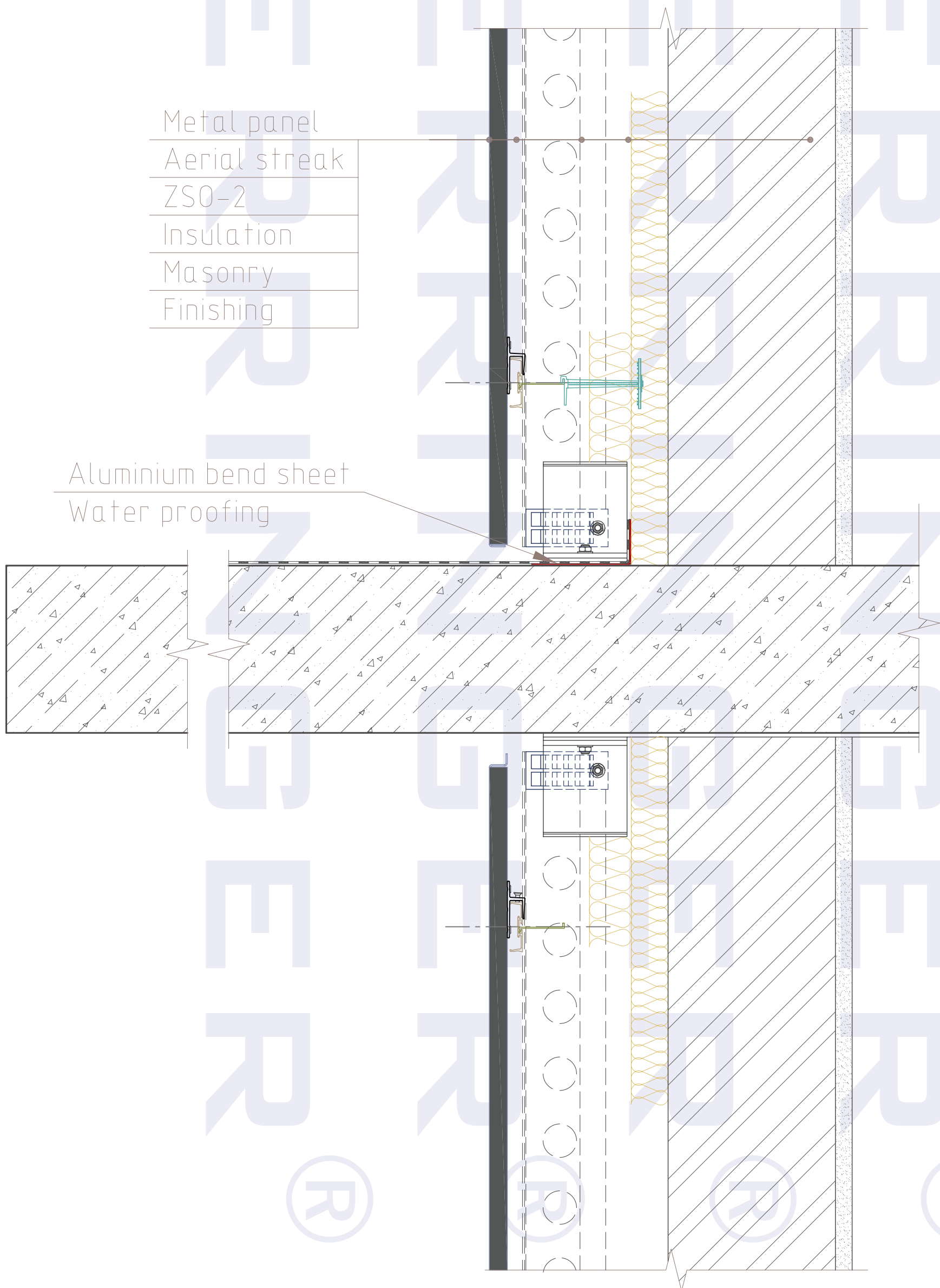
ELEVATION VIEW  
(overlapping detail)



# ELEVATION VIEW (basement)



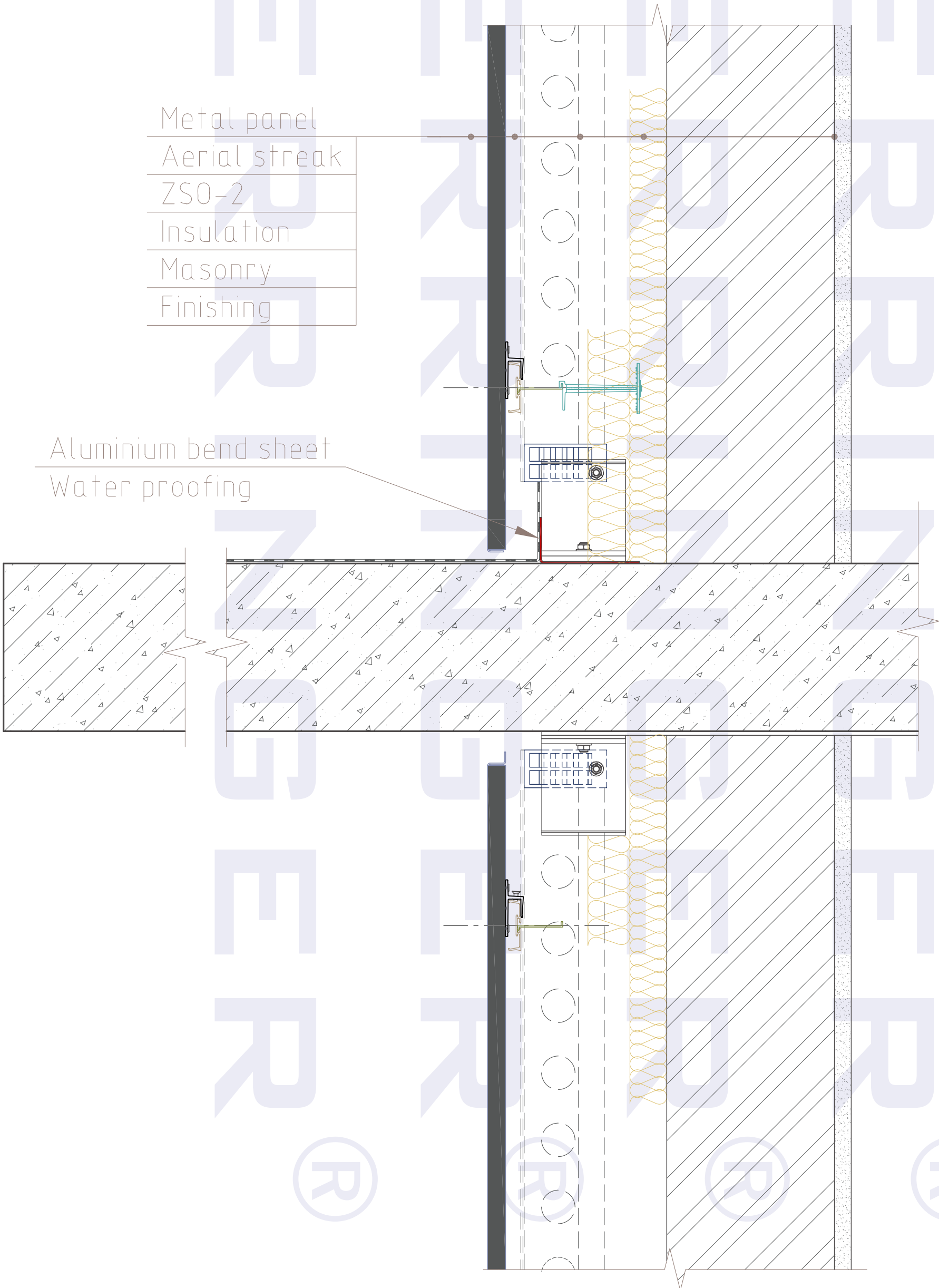
# ELEVATION VIEW (balcony)



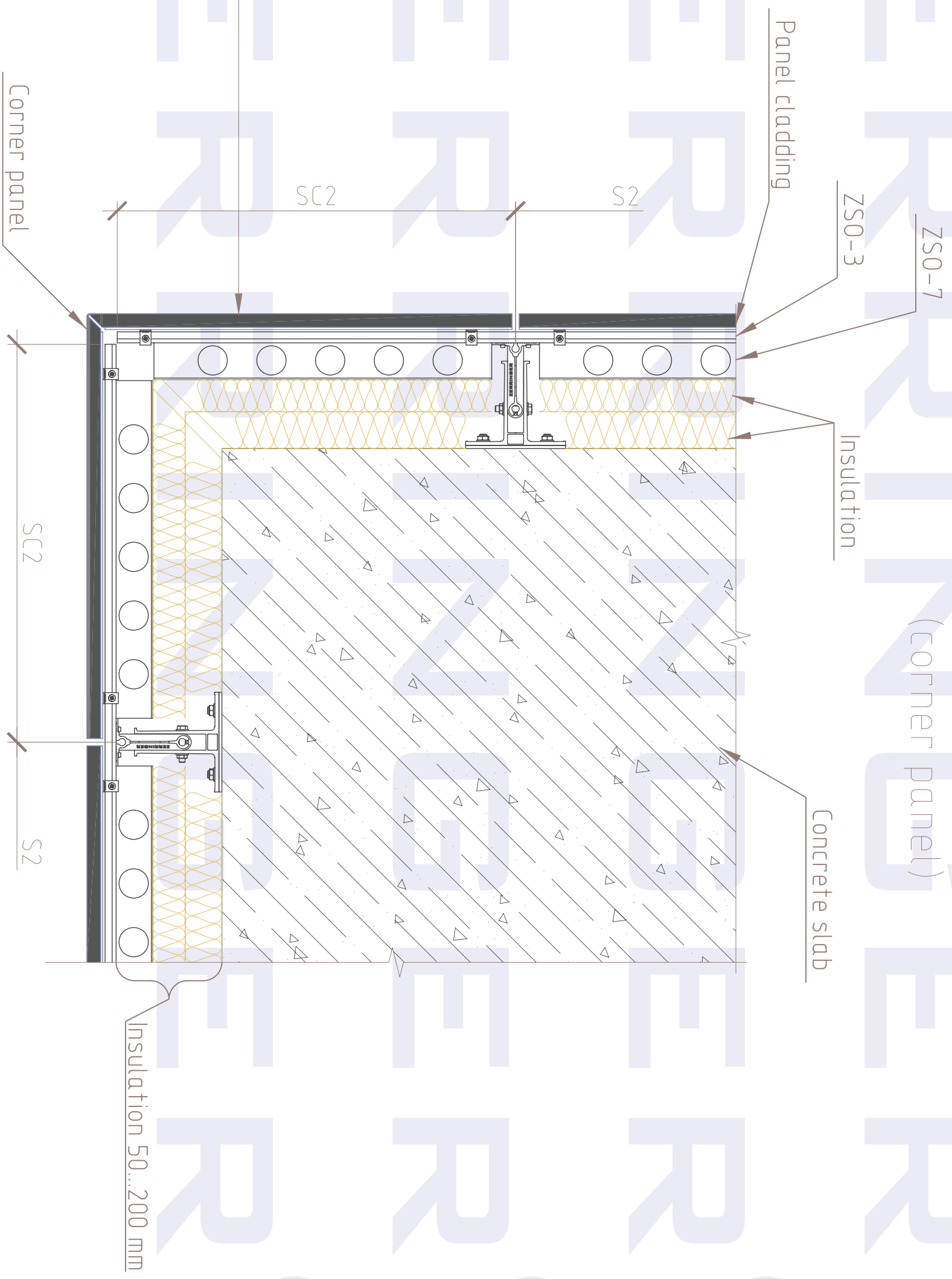
# ELEVATION VIEW (balcony)

- Metal panel
- Aerial streak
- ZSO-2
- Insulation
- Masonry
- Finishing

Aluminium bend sheet  
Water proofing



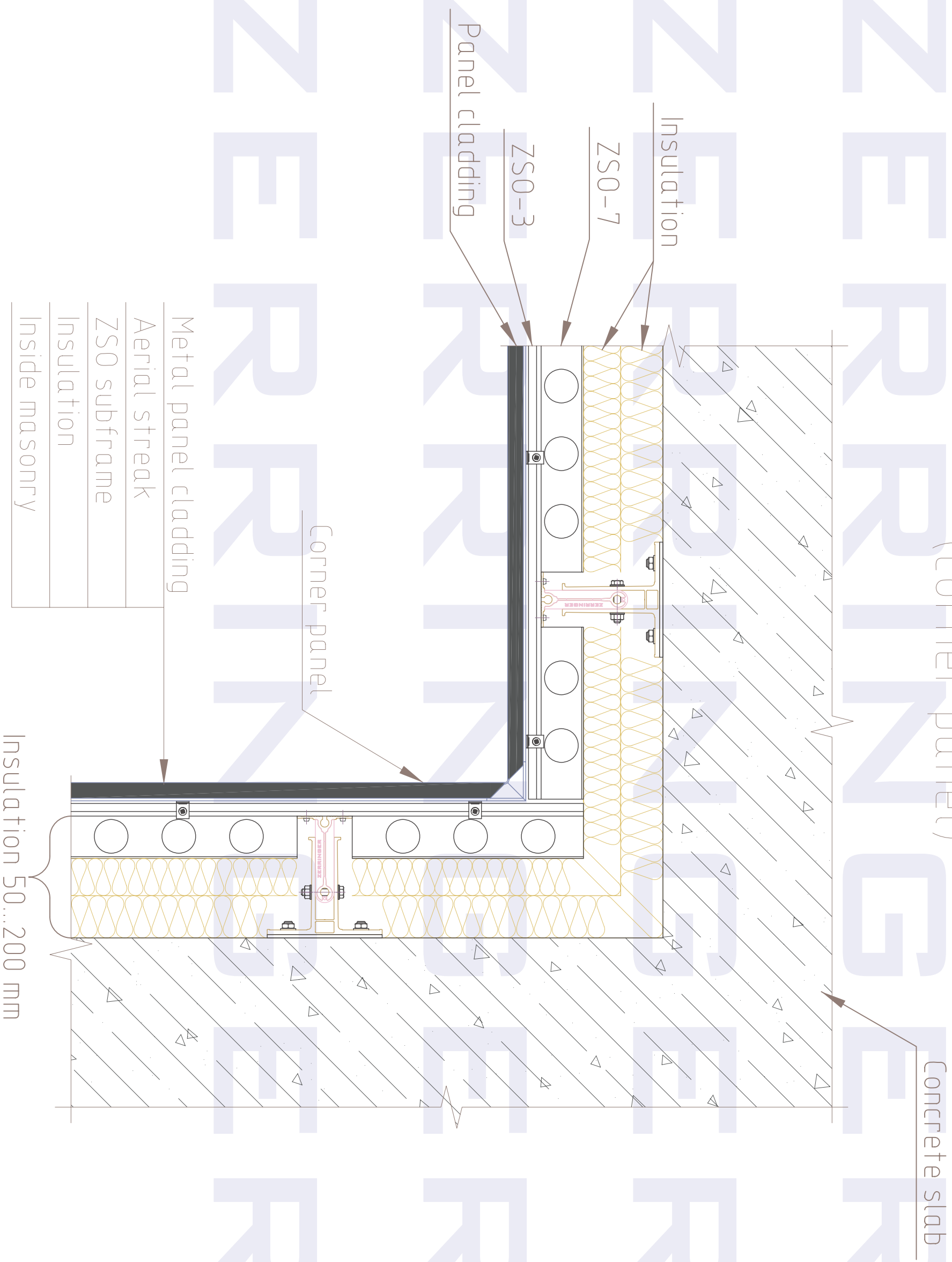
TOP VIEW - external corner  
(corner panel)



Metal panel cladding
Aerial streak
ZS0 subframe
Insulation
Inside masonry

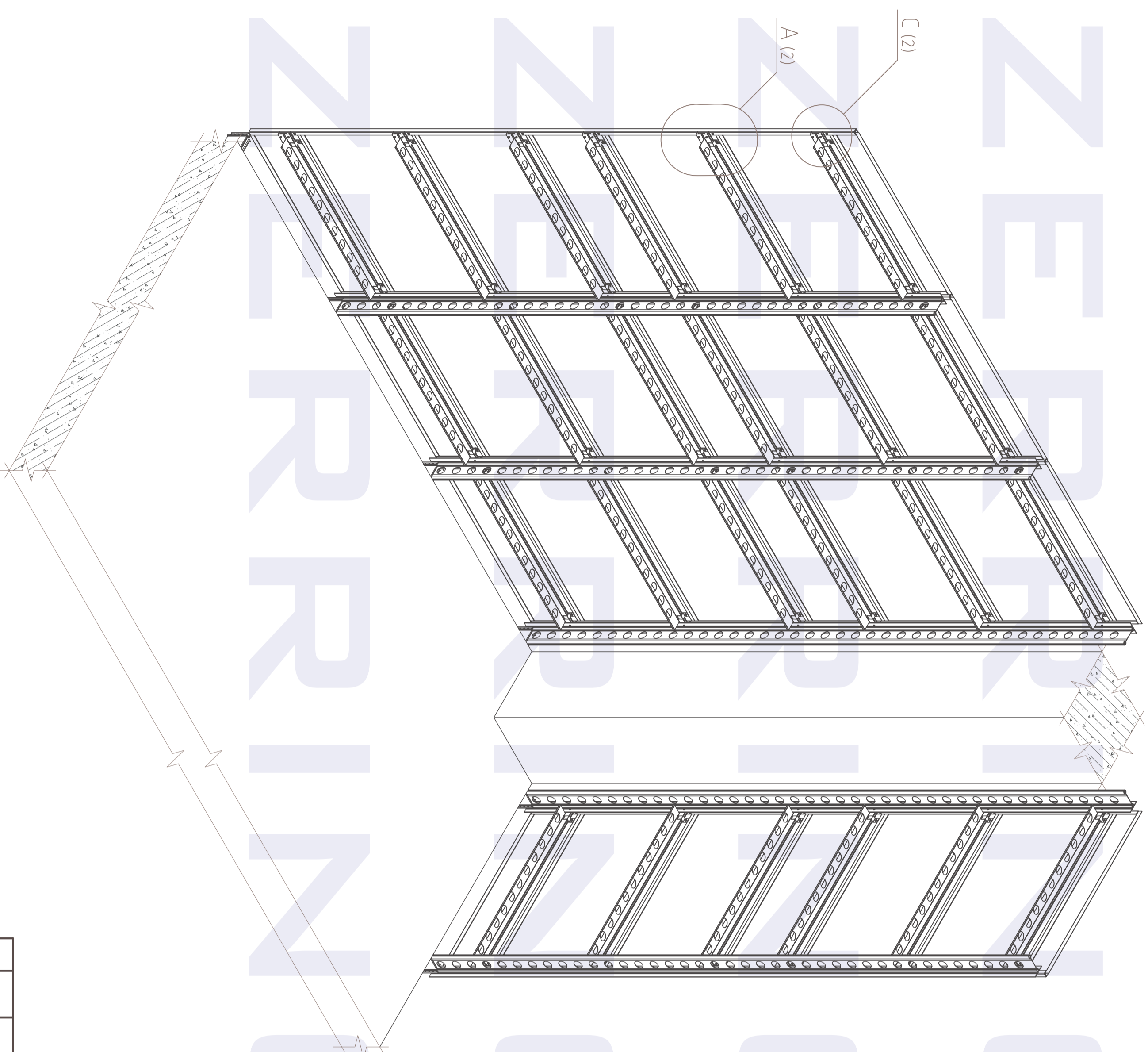
# TOP VIEW - internal corner

(corner panel)

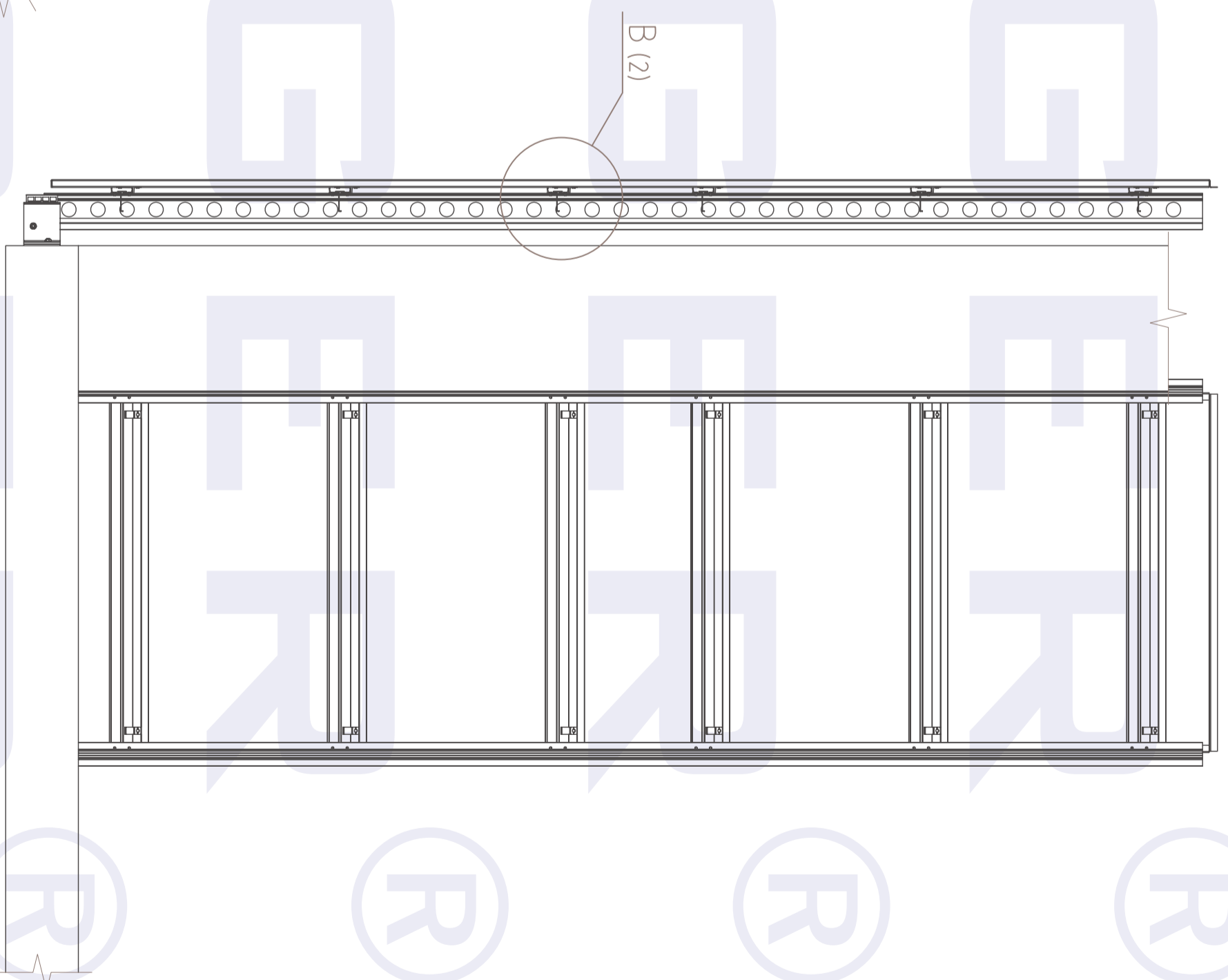




ISOMETRIC VIEW

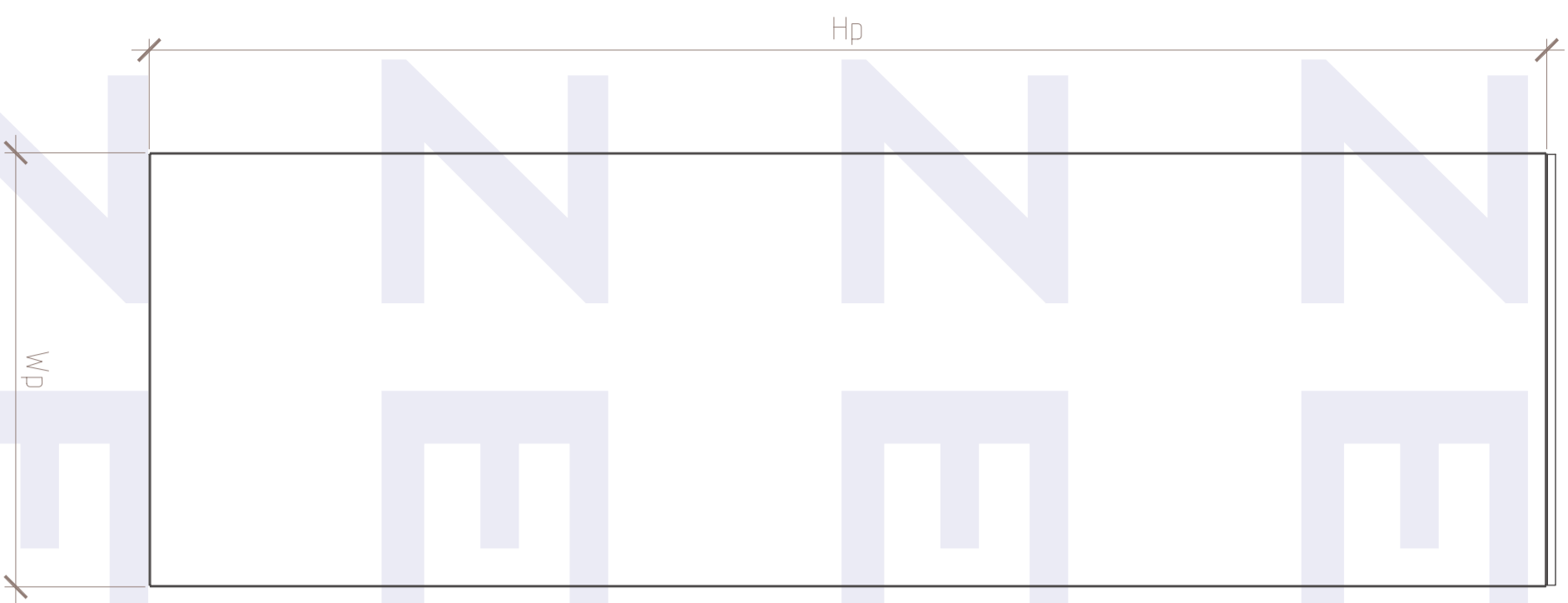


ELEVATION VIEW

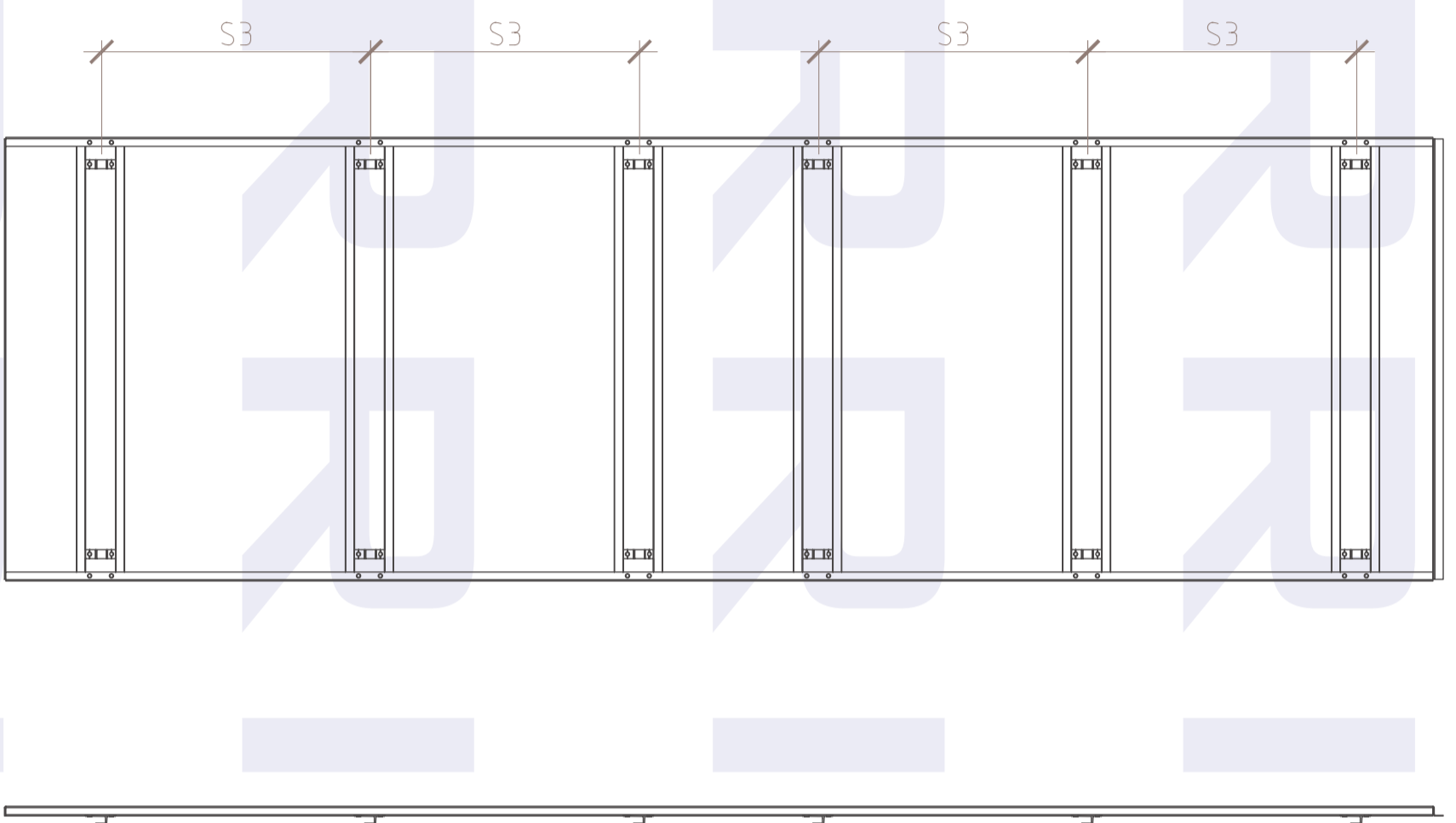


**ZERRINGER**

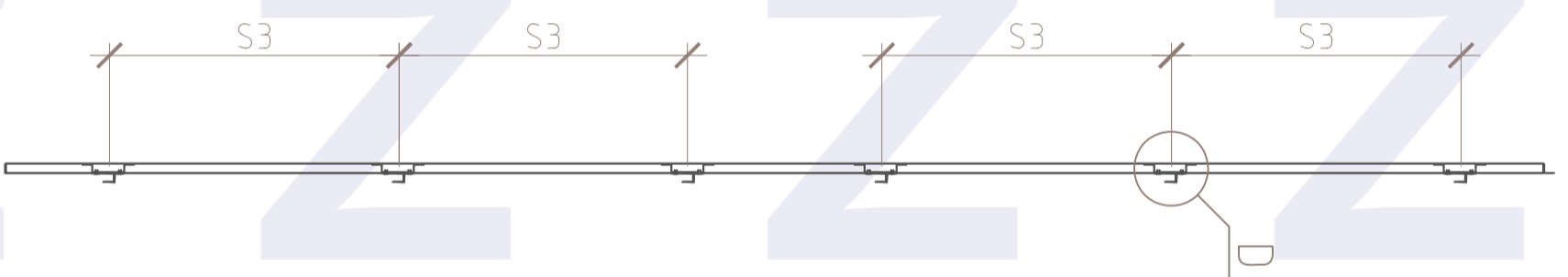
PANEL. Front side



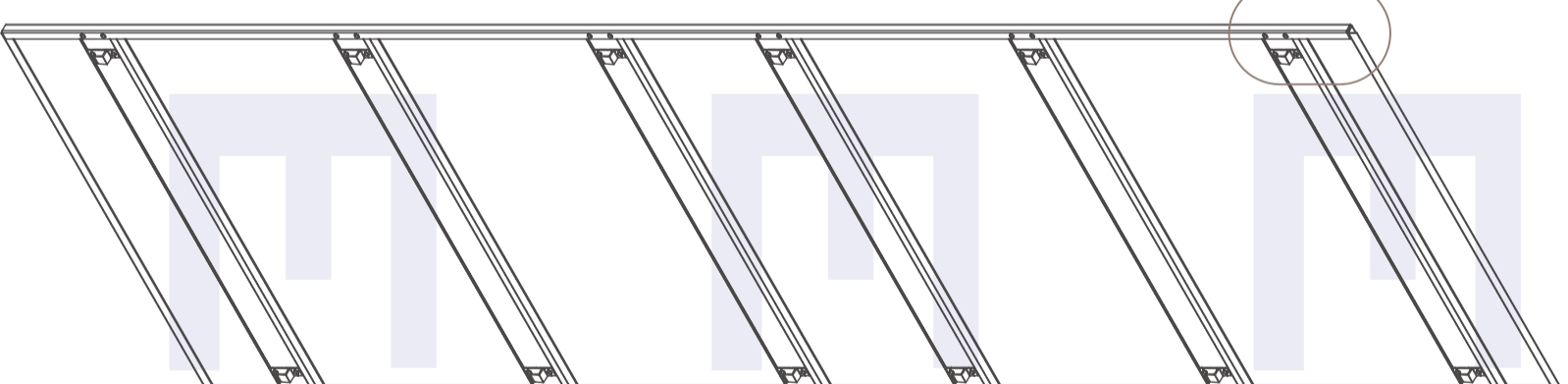
PANEL. Back side



1-1



PANEL. Isometric view



E

