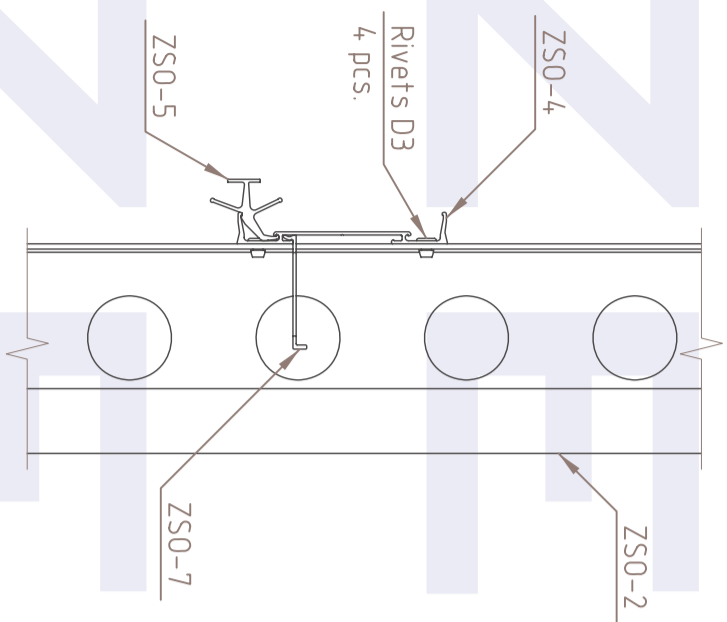
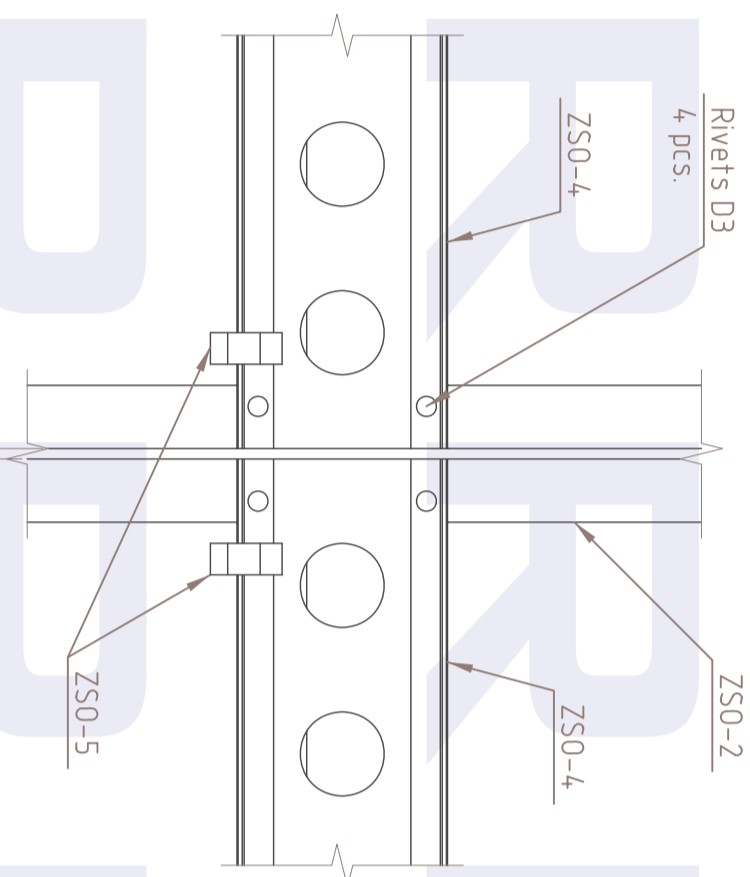




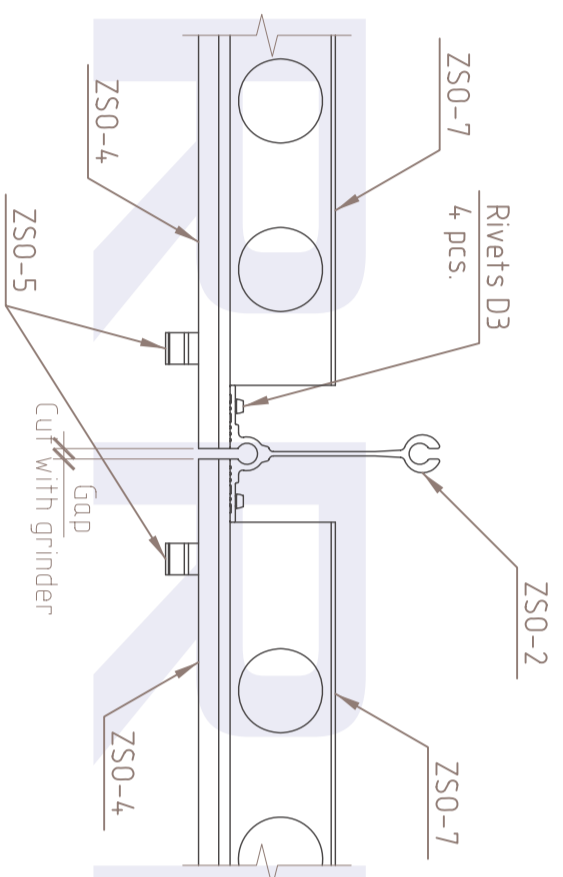
ELEVATION VIEW



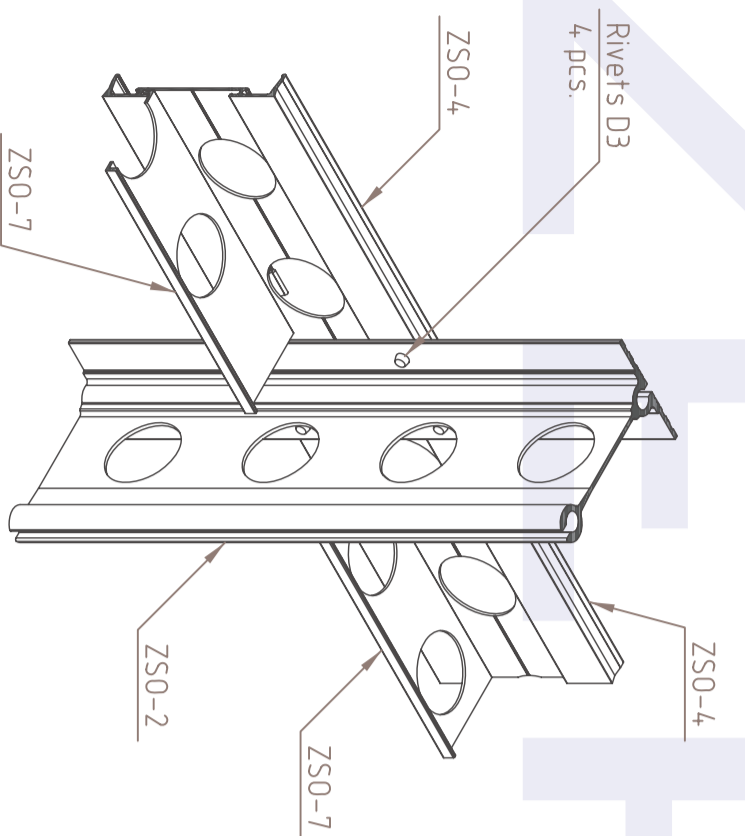
FRONT VIEW



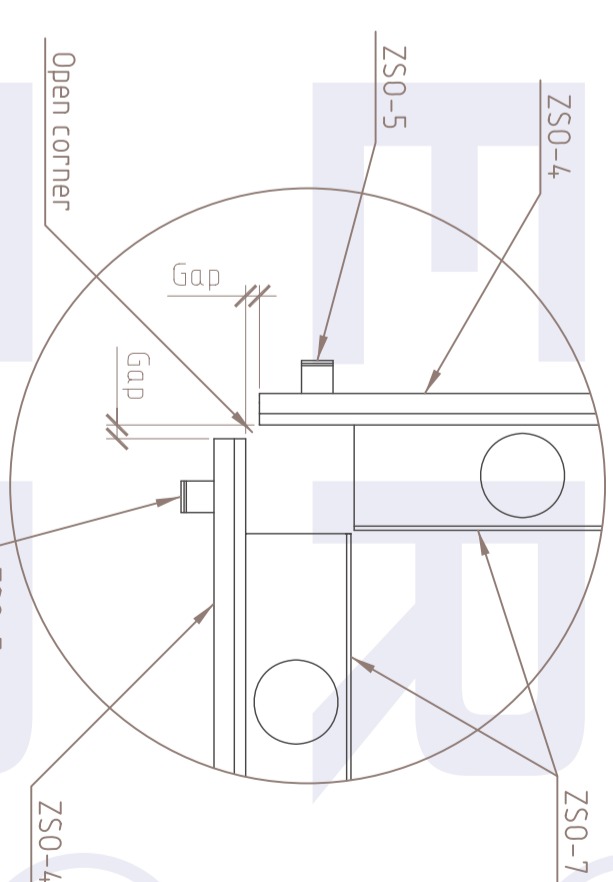
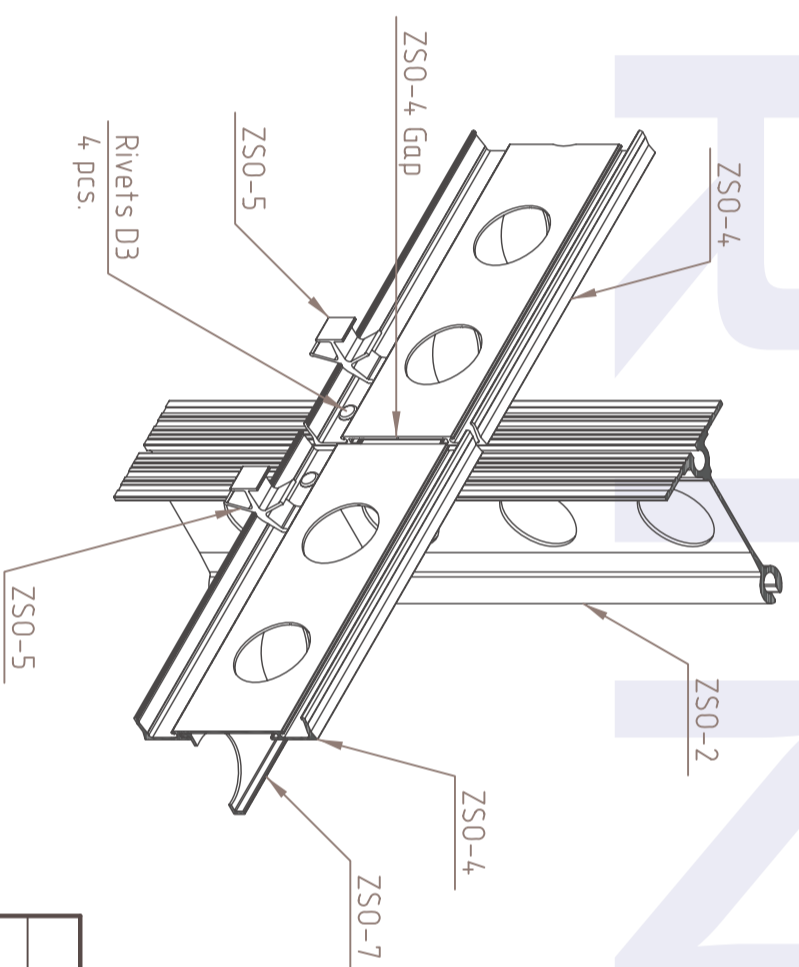
TOP VIEW



ISOMETRIC VIEW



ISOMETRIC VIEW



Fixing detail (D3)

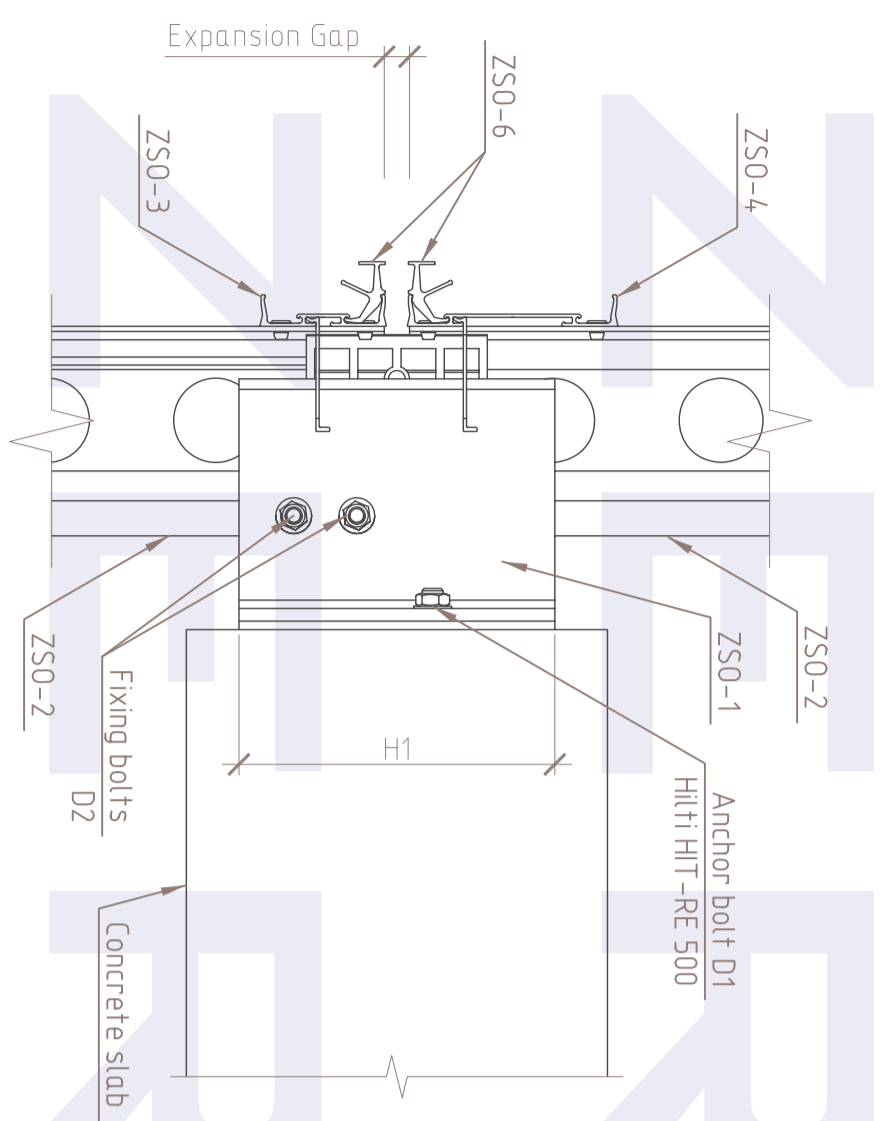
Fixing method:

- blind rivets
- thread cutting screw

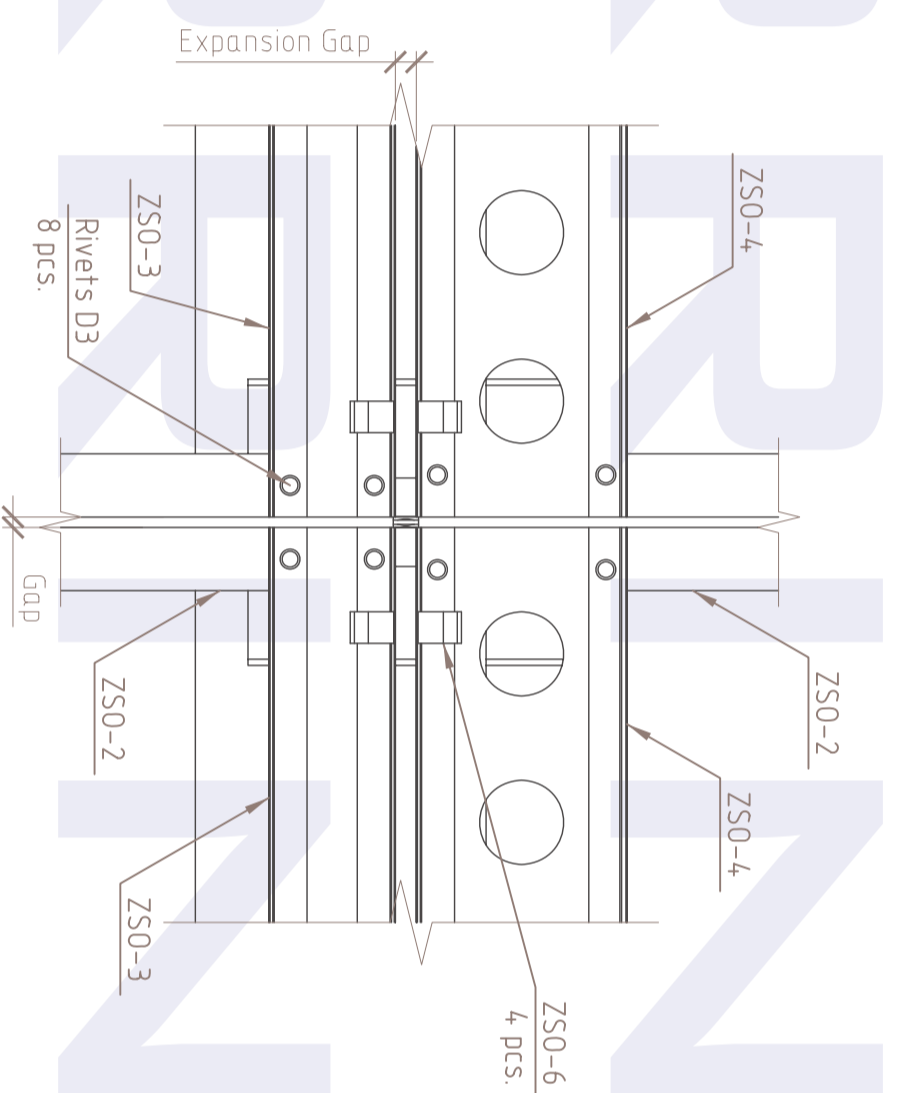
Rivets -

- 4.8 - Al(Mg 3.5)-ST DIN 7337;
 - 6.0 - Al(Mg 3.5)-stainless steel AISI 304 DIN 7337.
 - Self-tapped bolts - TEX 4.8x13, 4.2x16 DIN 7504 N
 - Anchors - HILTI HIT-RE 500 - HAS (HAS-5.8, ISO 898 T1, galvanize min 5 mk μ m, HAS-R stainless steel A4-70; 1.4401, 1.4404, 1.4571).
- See also supplier's recommendation.

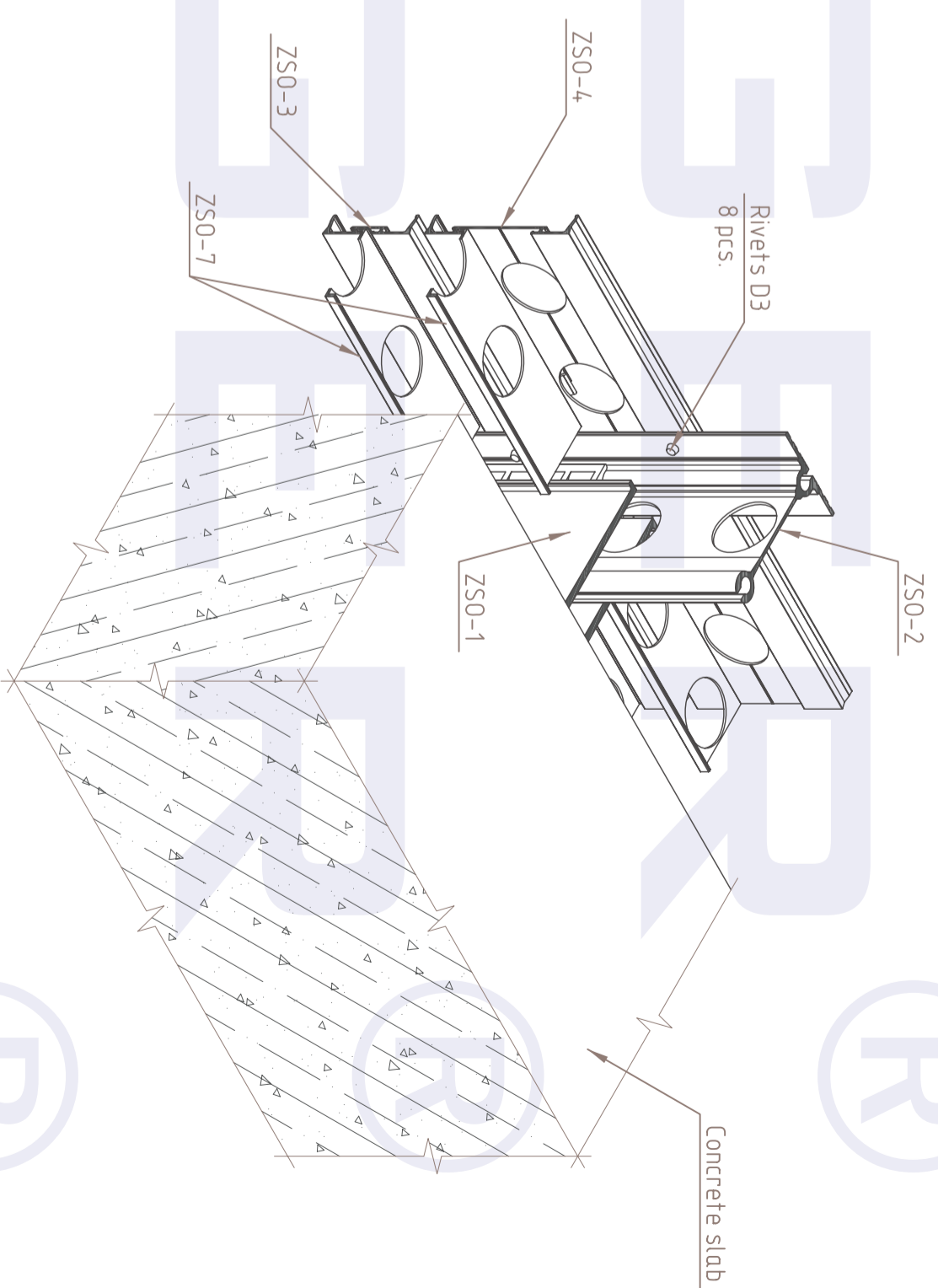
ELEVATION VIEW



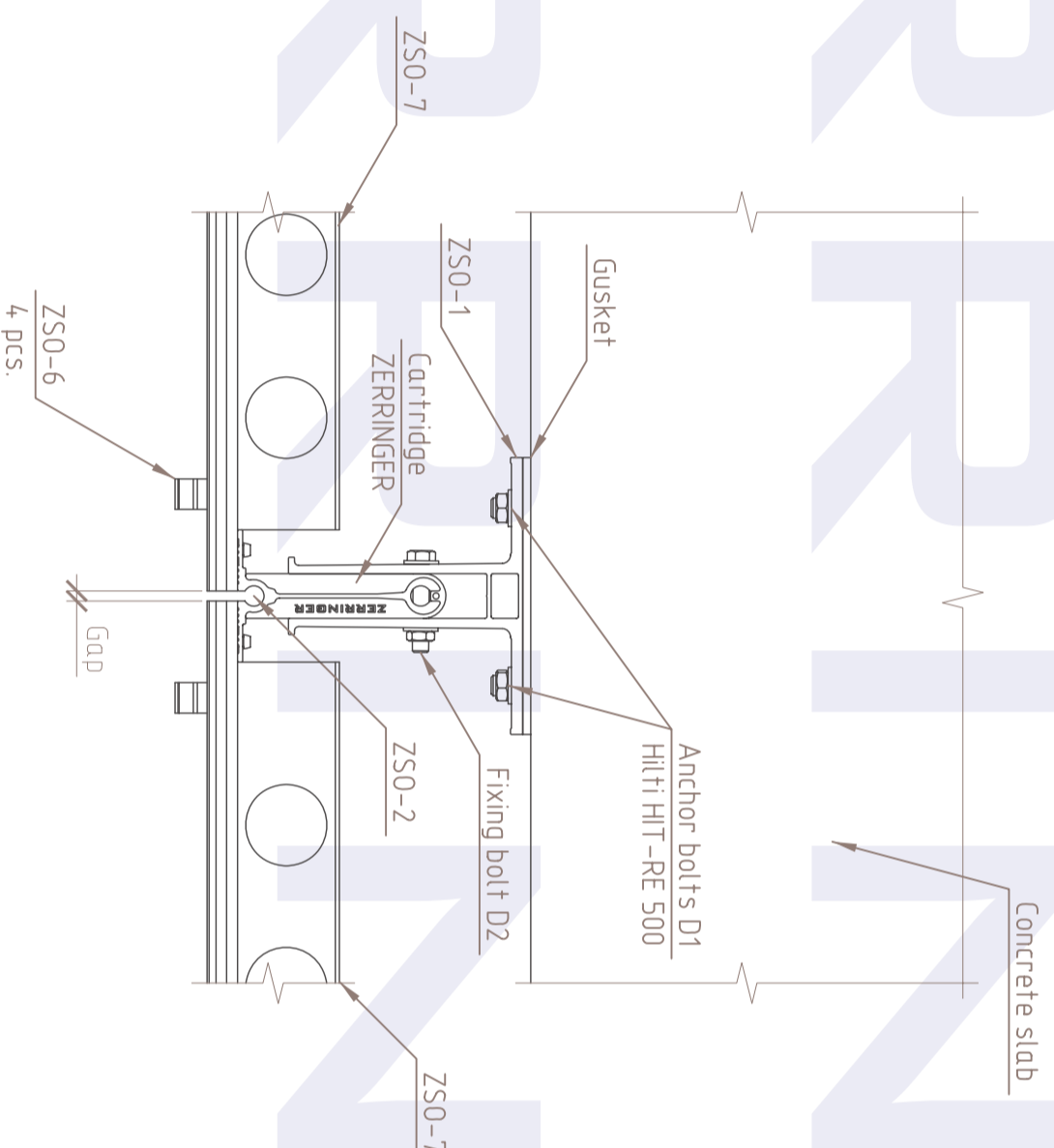
FRONT VIEW



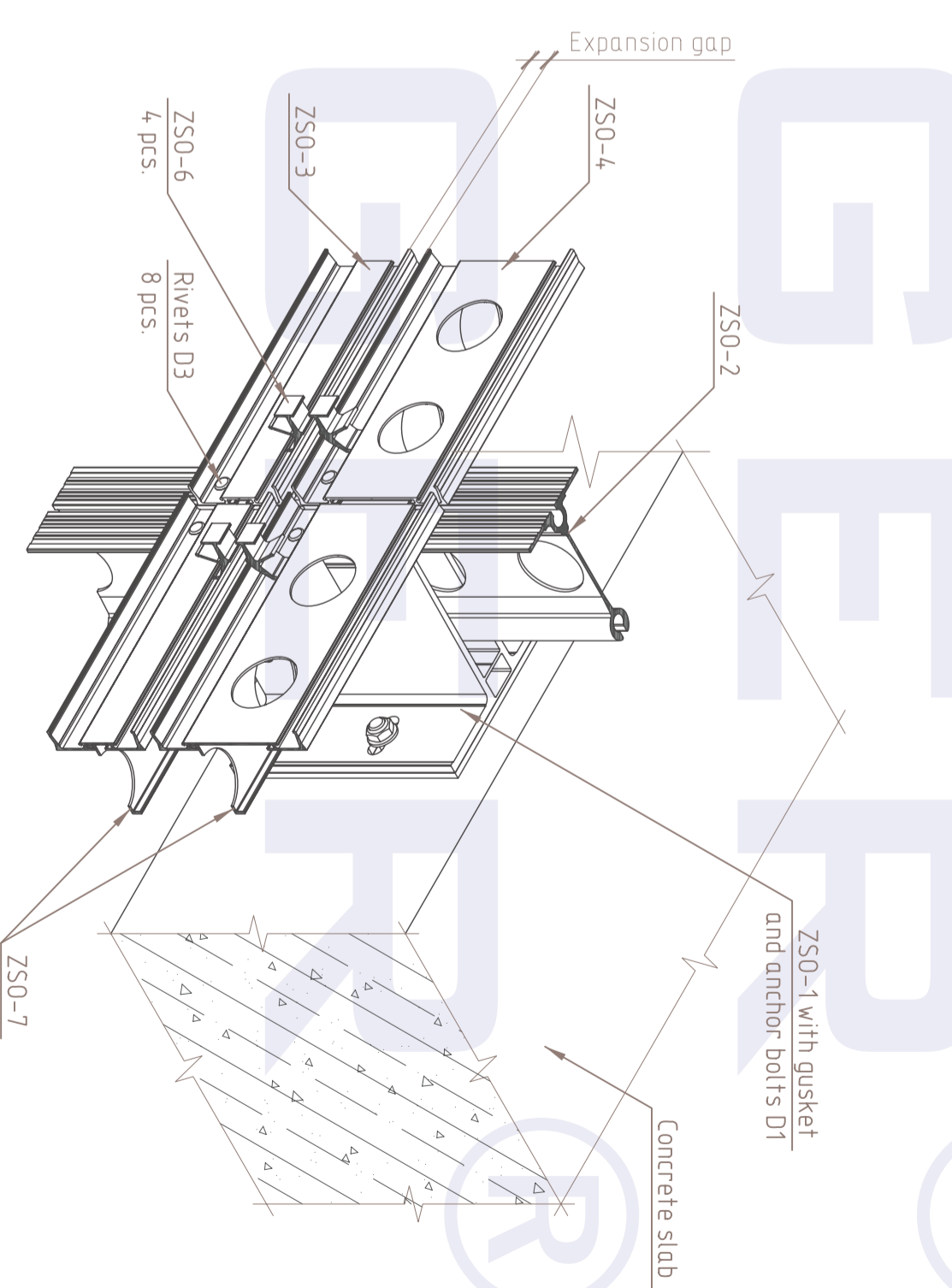
ISOMETRIC VIEW



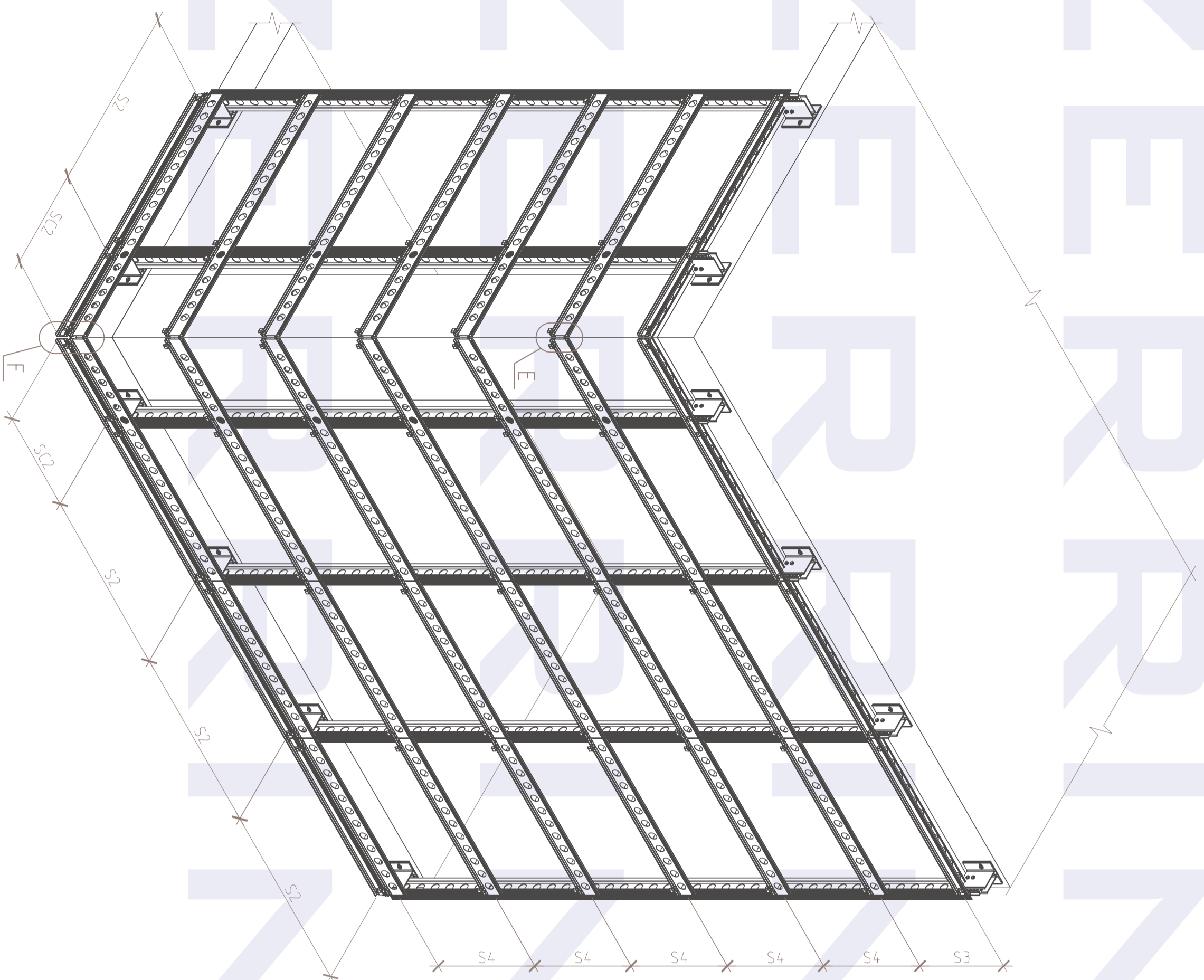
TOP VIEW



ISOMETRIC VIEW

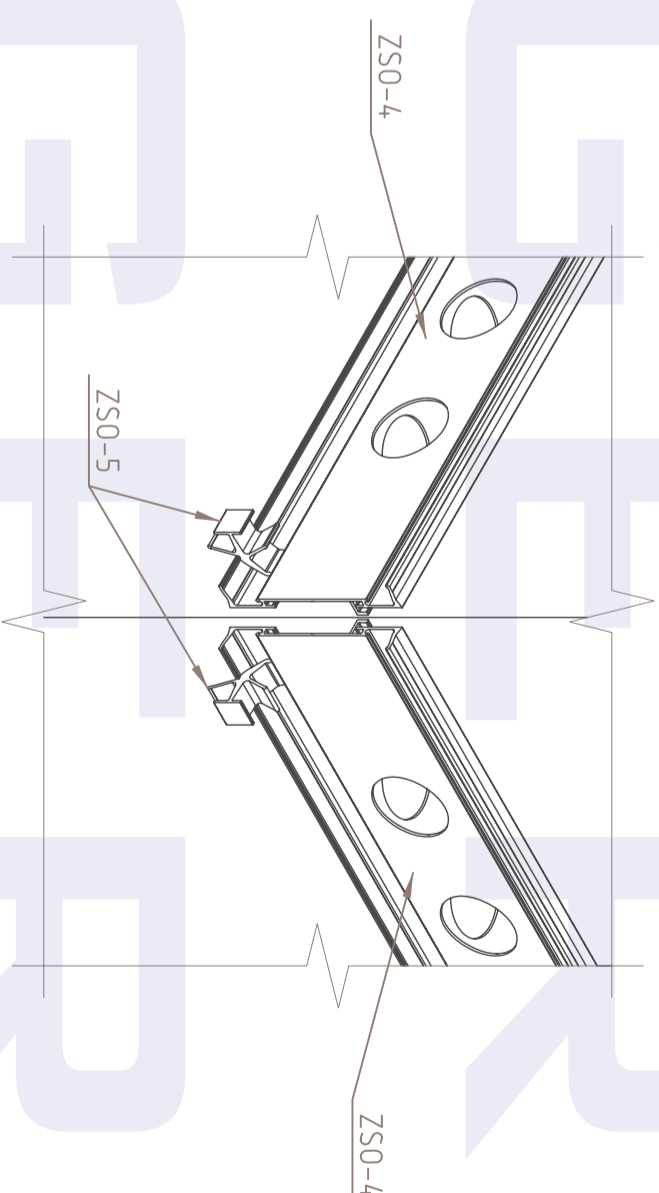


ISOMETRIC VIEW



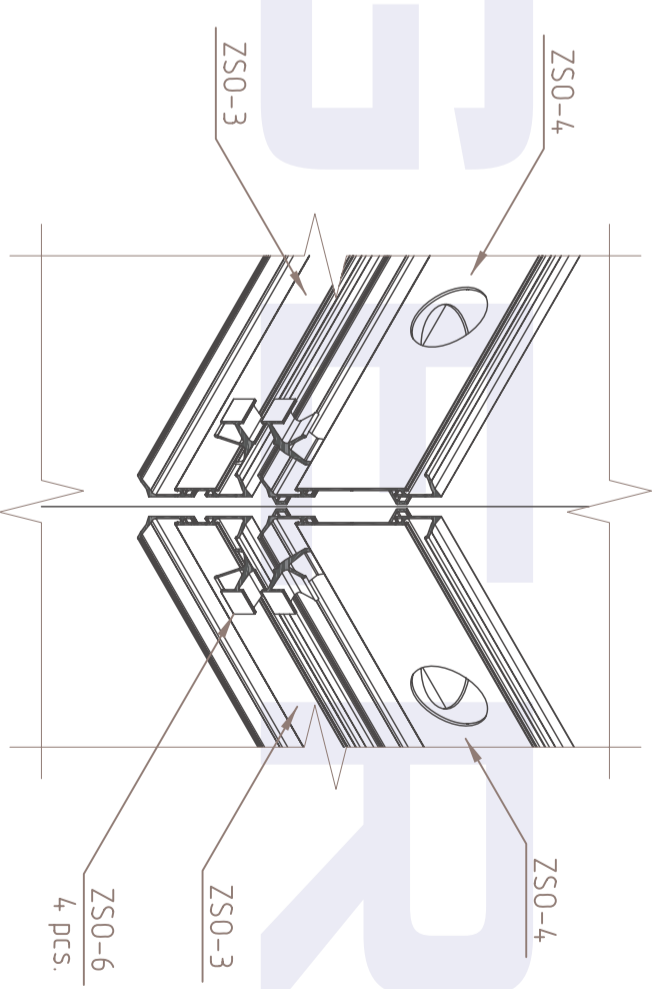
(E)

ISOMETRIC VIEW



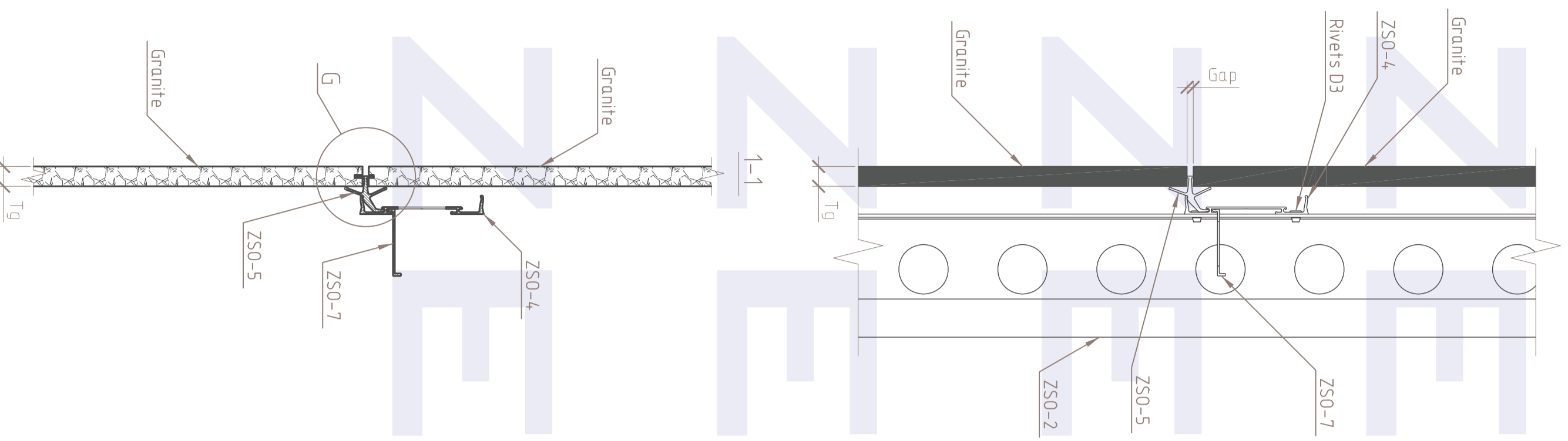
(F)

ISOMETRIC VIEW

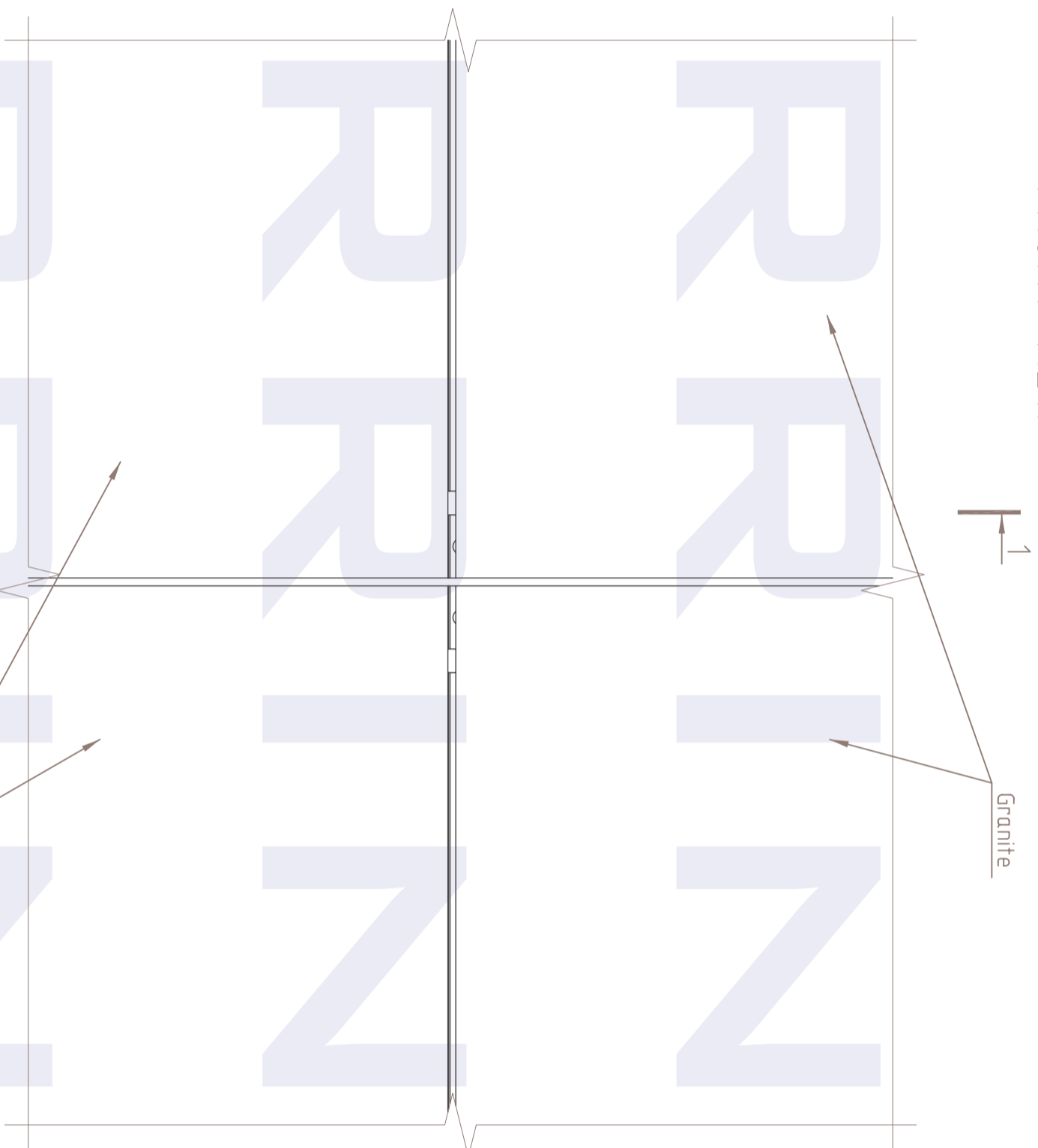


--	--	--	--	--	--	--	--	--	--

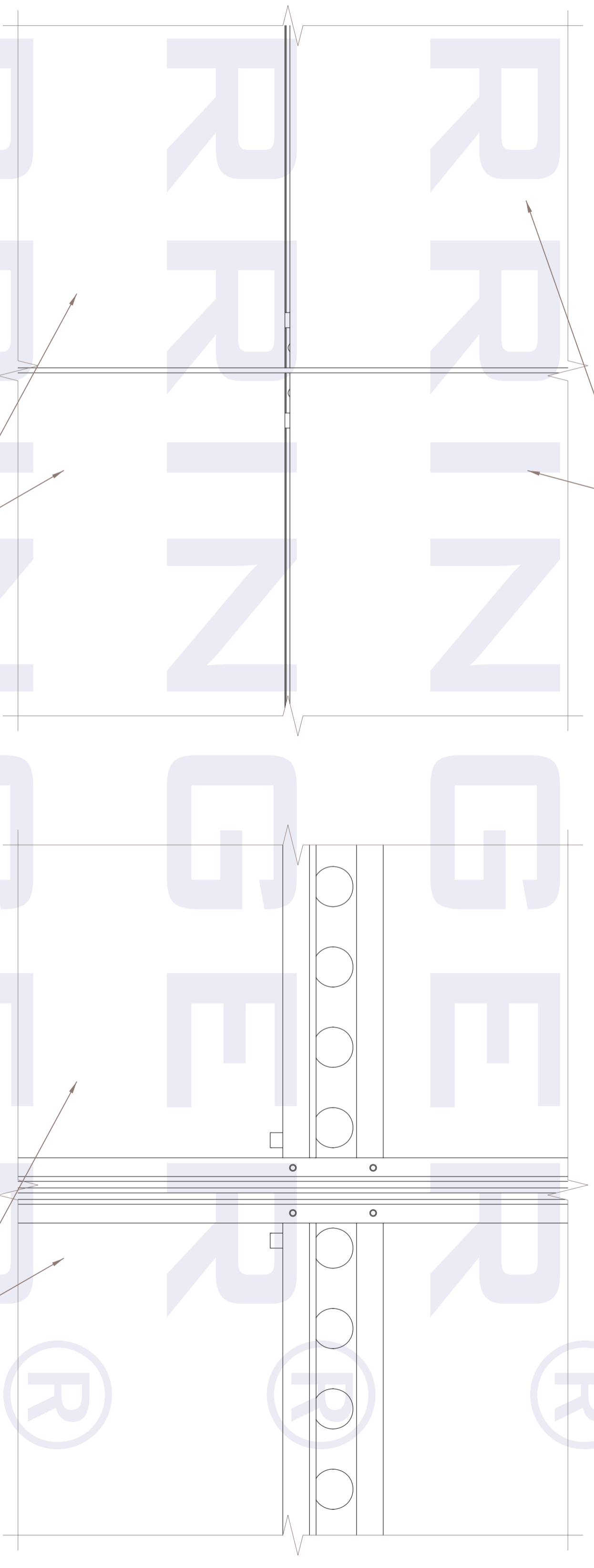
ELEVATION VIEW



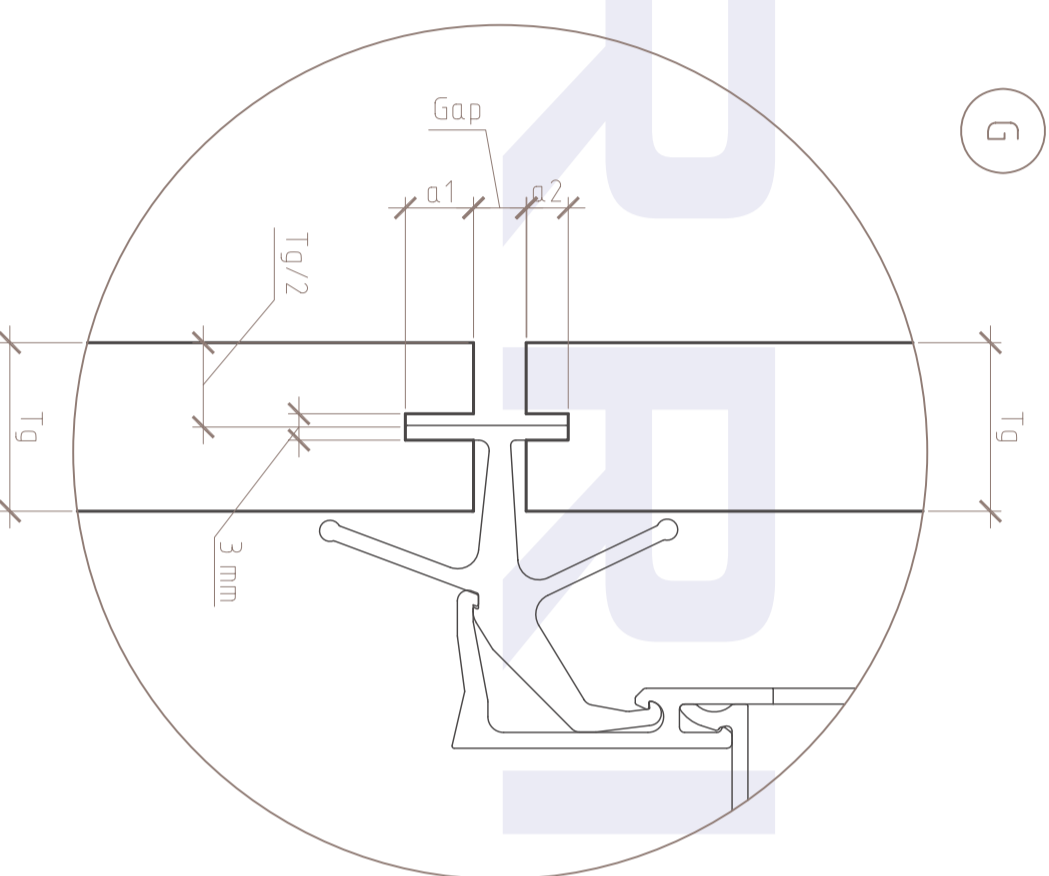
FRONT VIEW



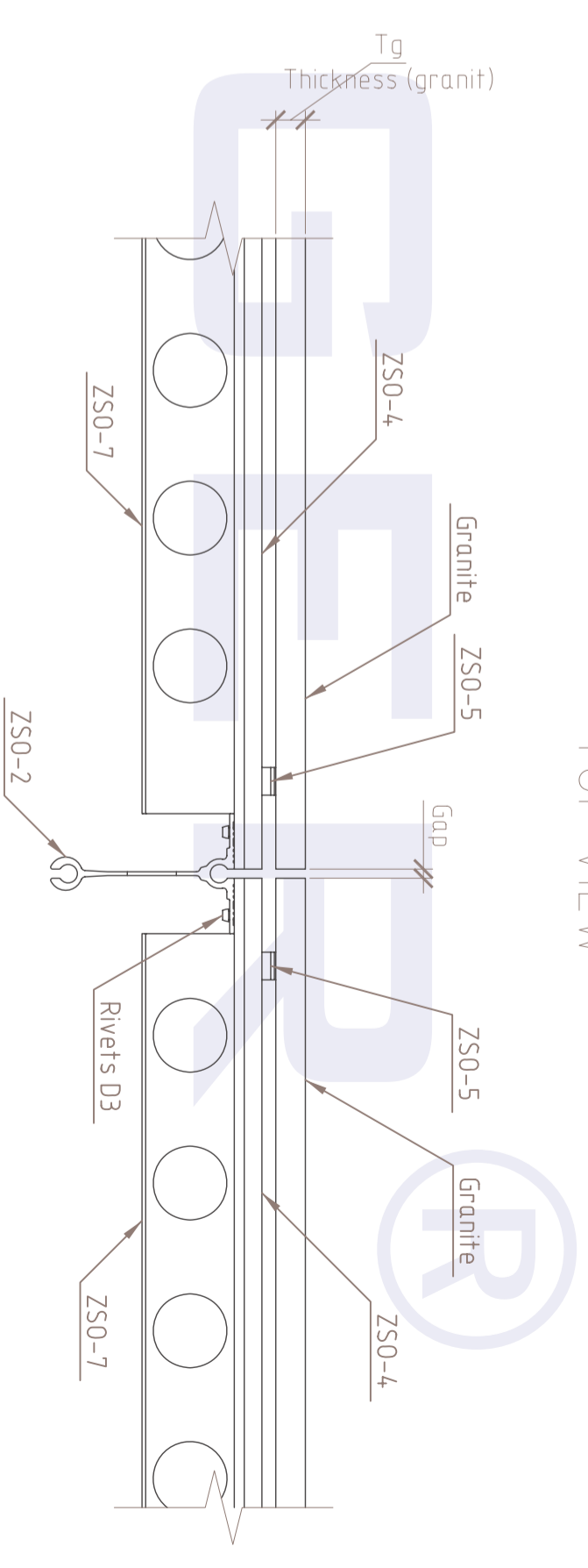
BACK VIEW



G

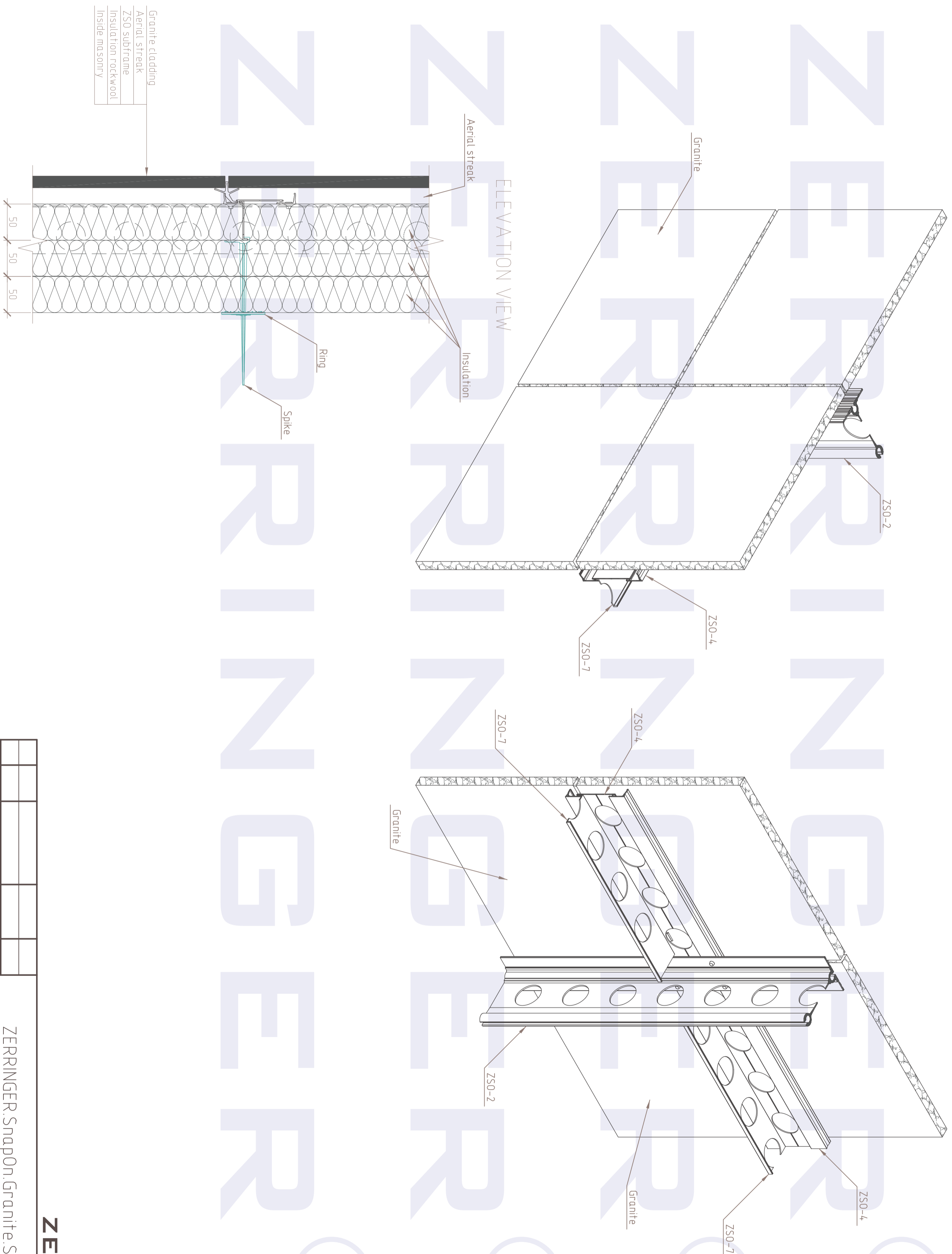


TOP VIEW



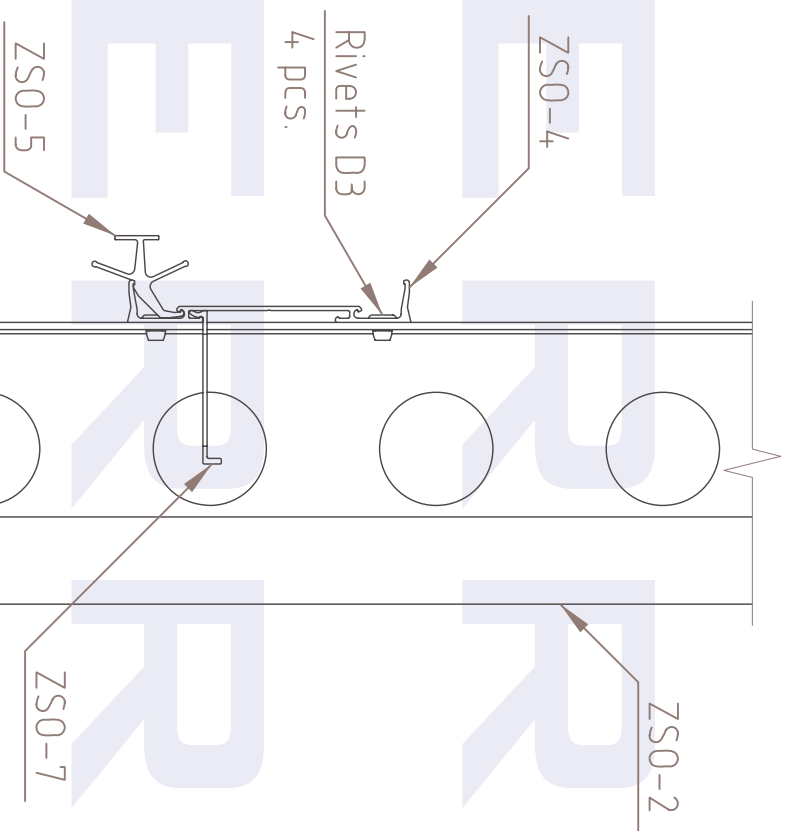
ISOMETRIC VIEW

ISOMETRIC VIEW

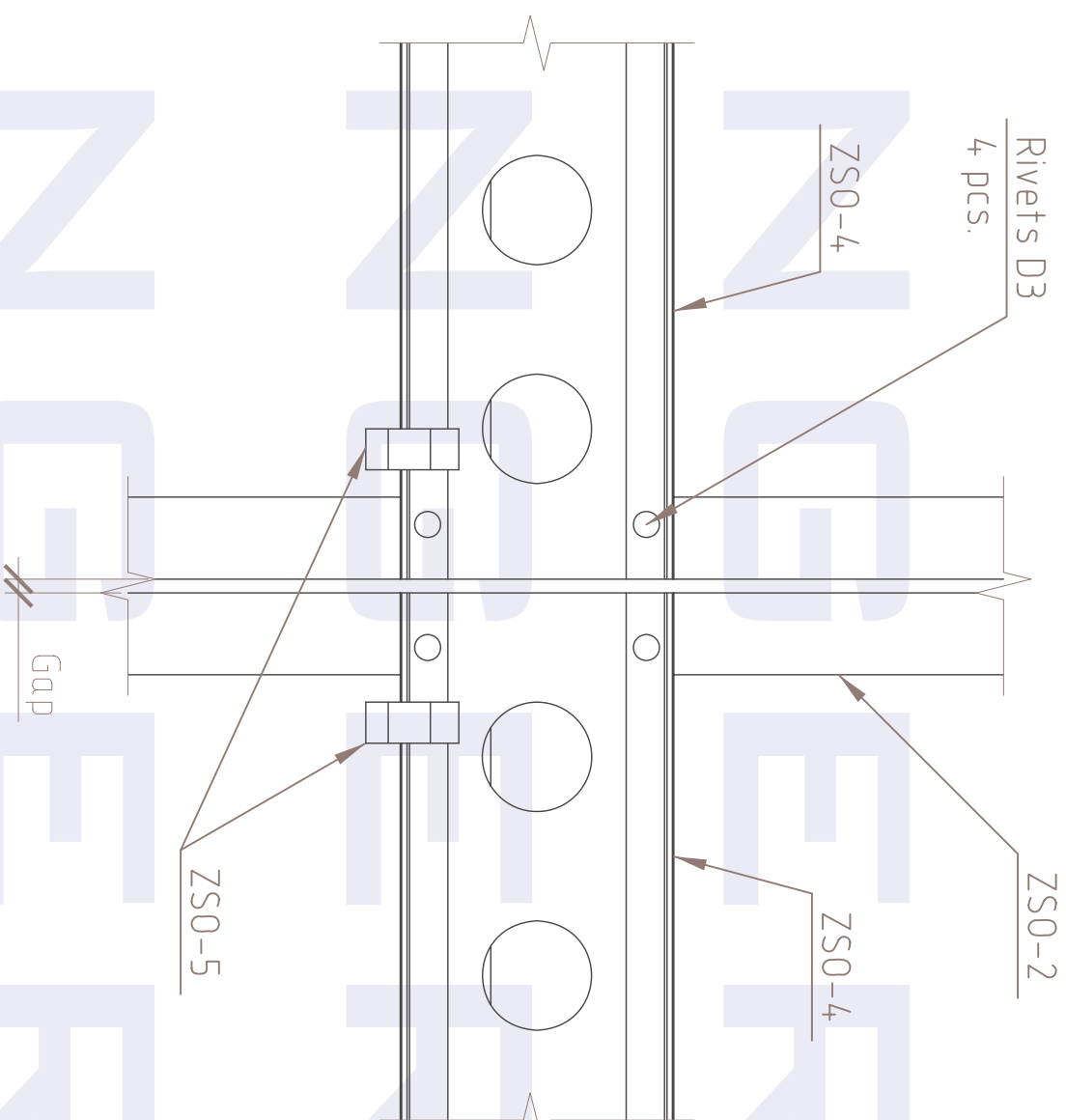


- Granite cladding
- Aerial streak
- ZSO subframe
- Insulation rockwool
- Inside masonry

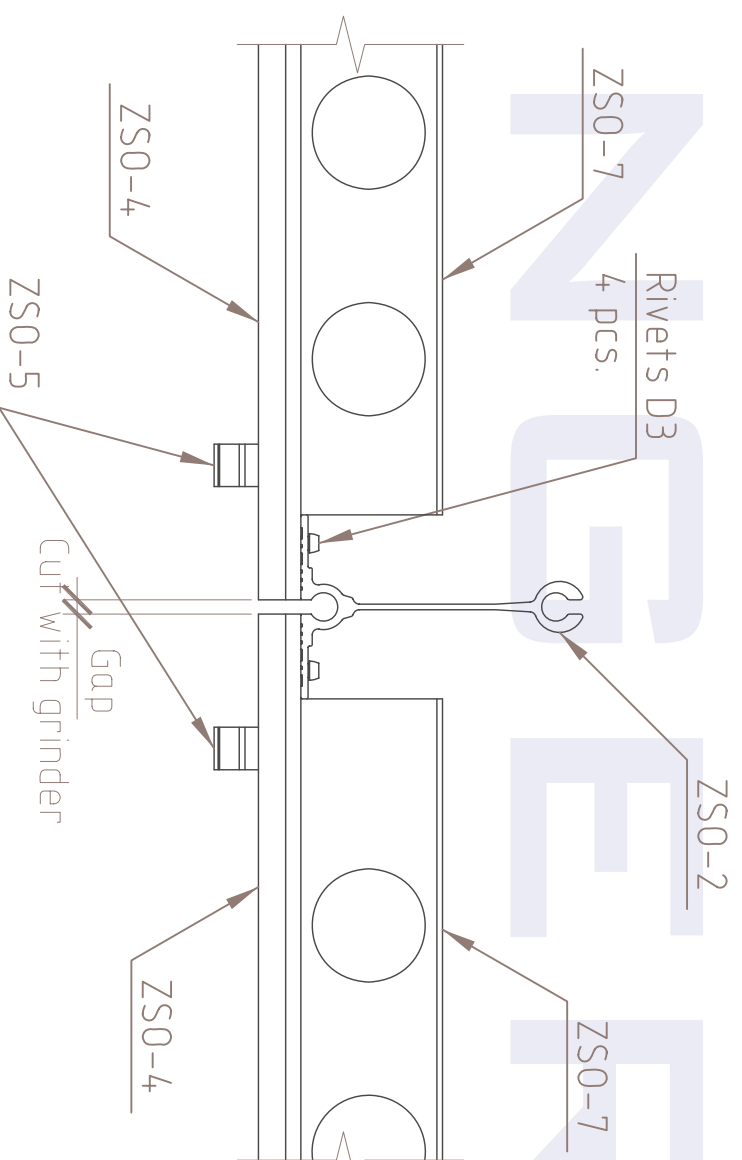
ELEVATION VIEW



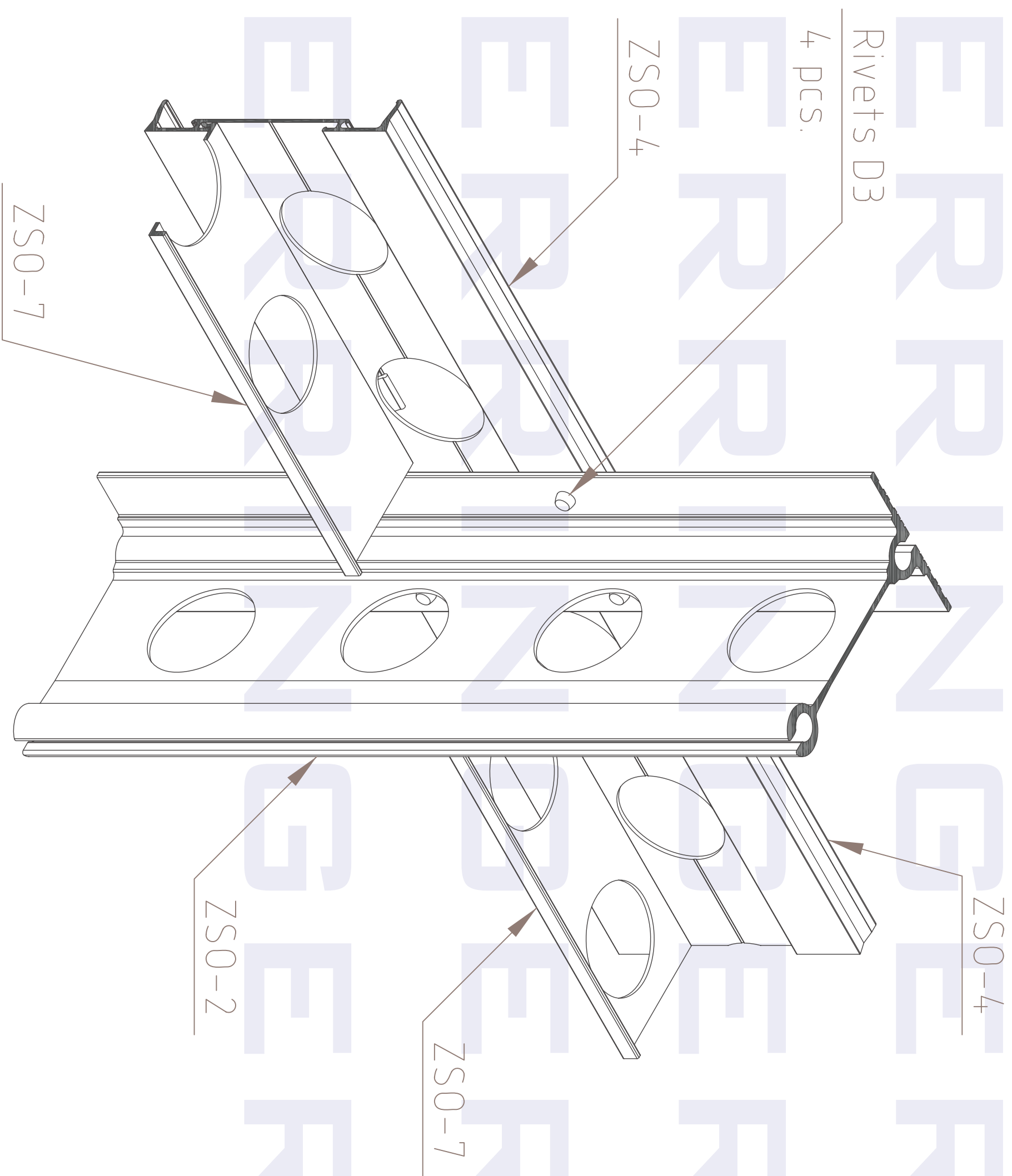
FRONT VIEW



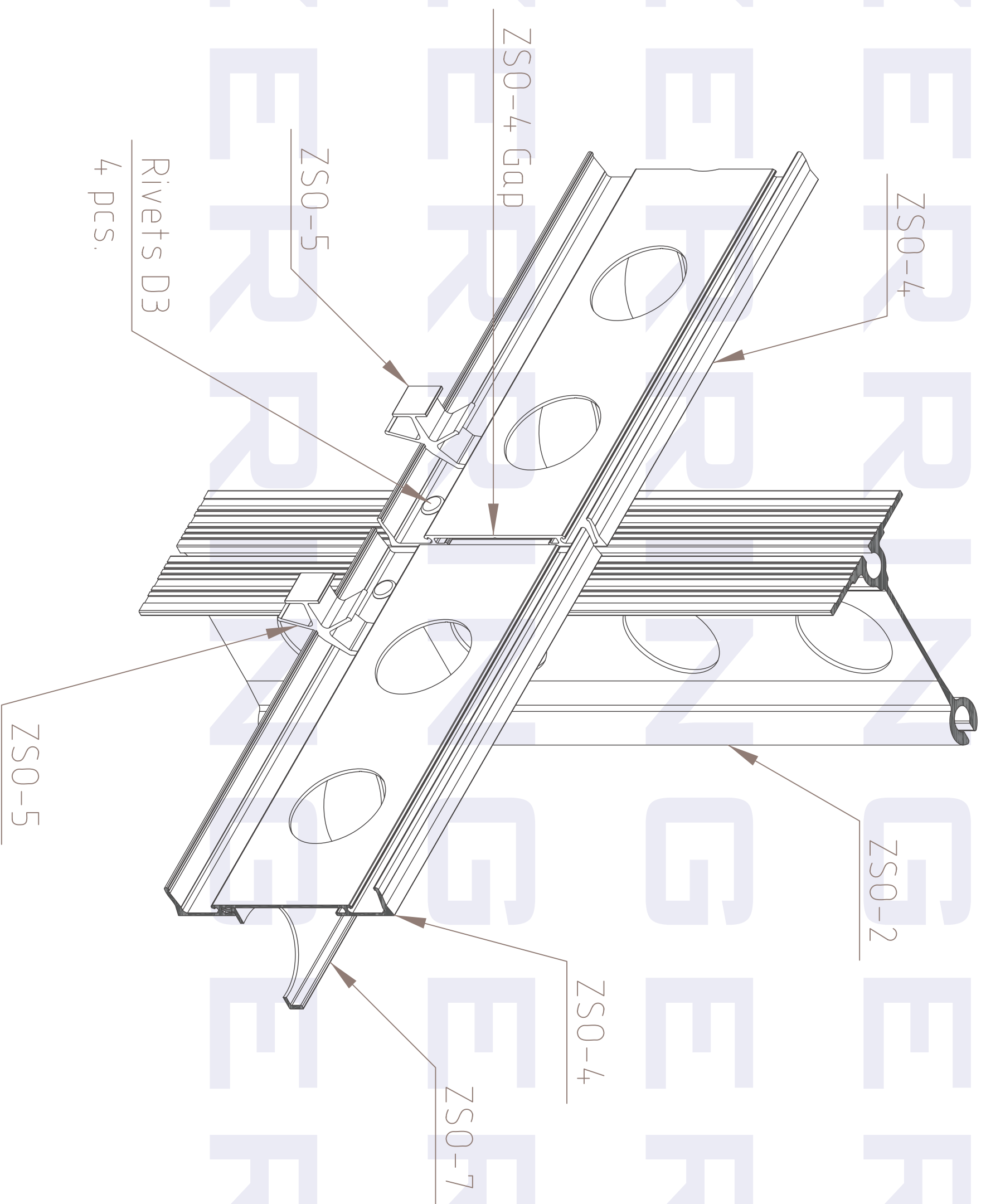
TOP VIEW



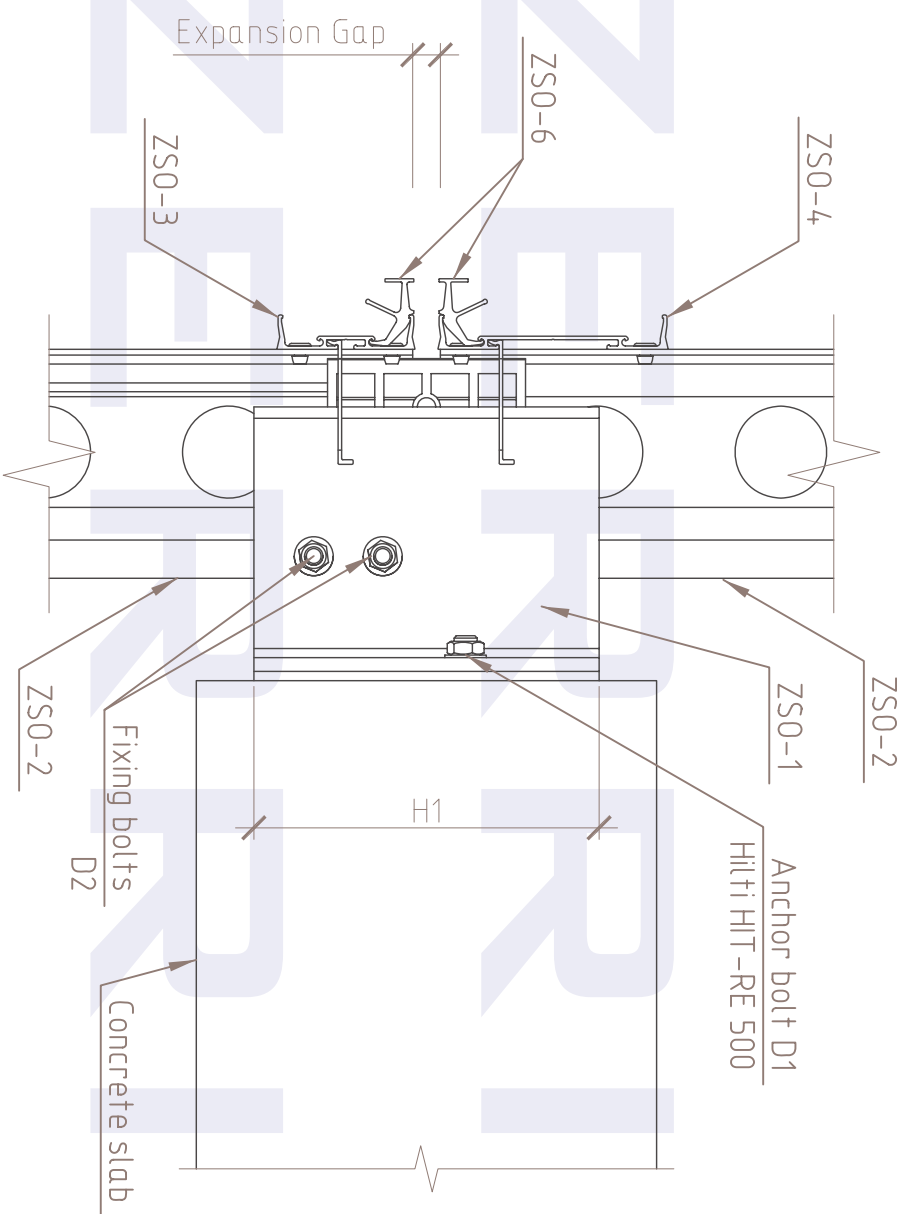
ISOMETRIC VIEW



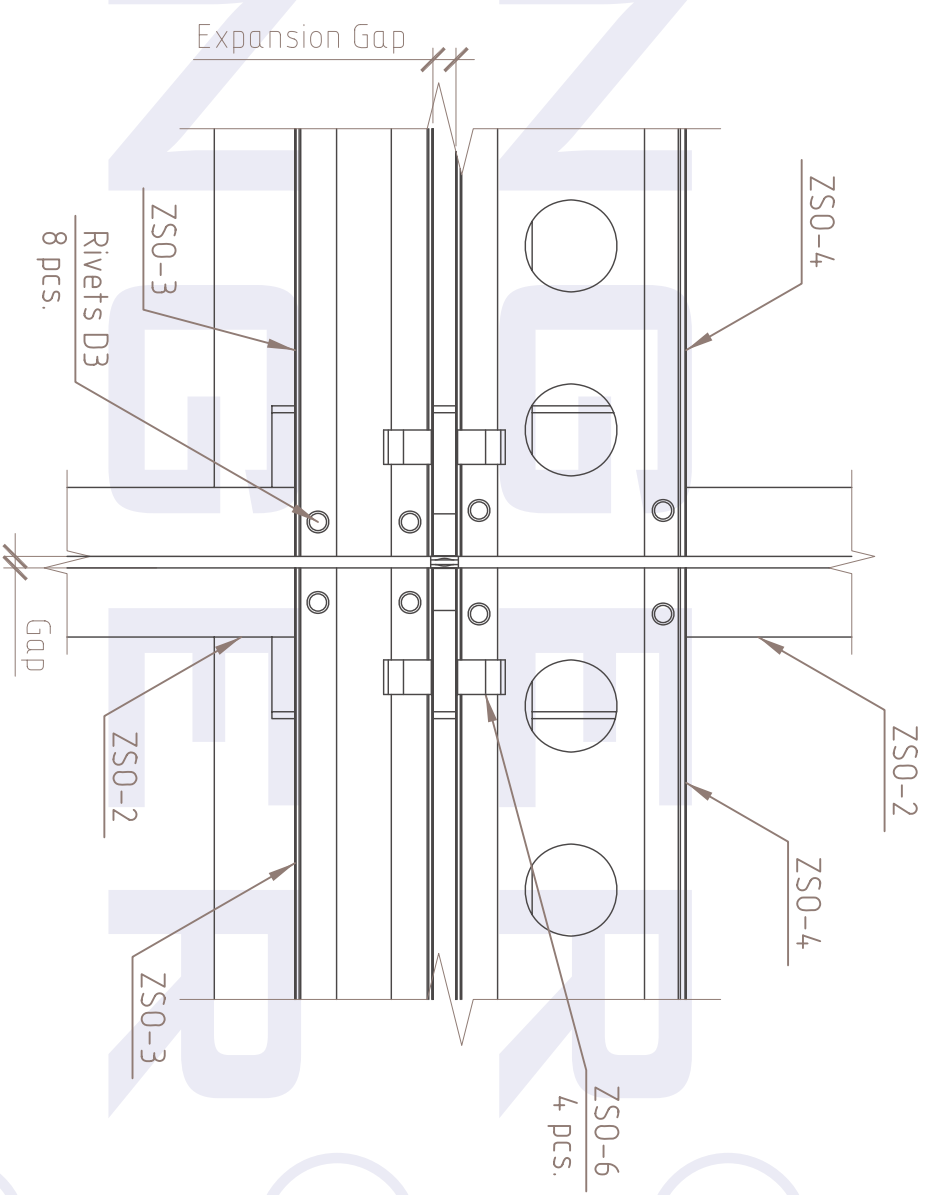
ISOMETRIC VIEW



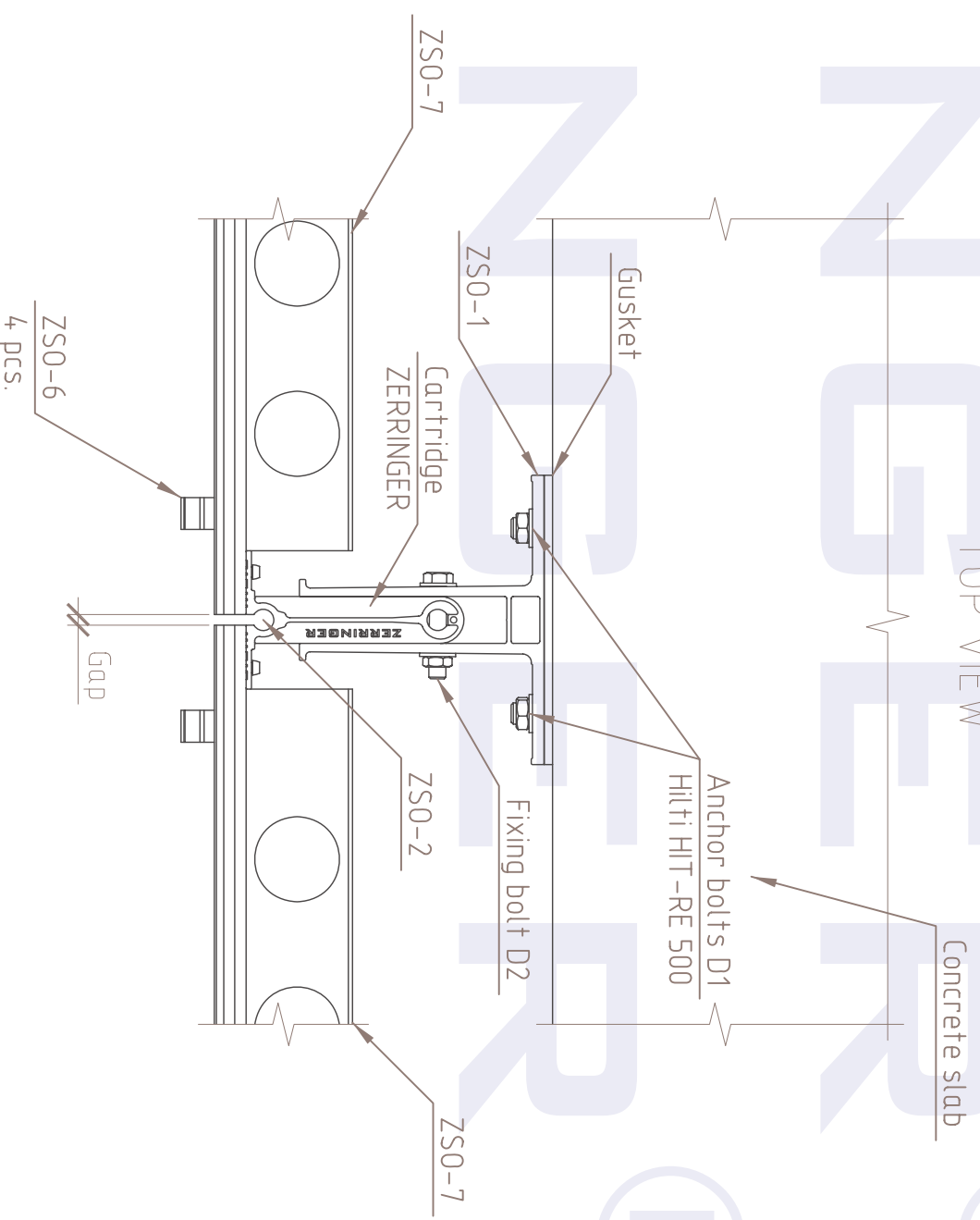
ELEVATION VIEW



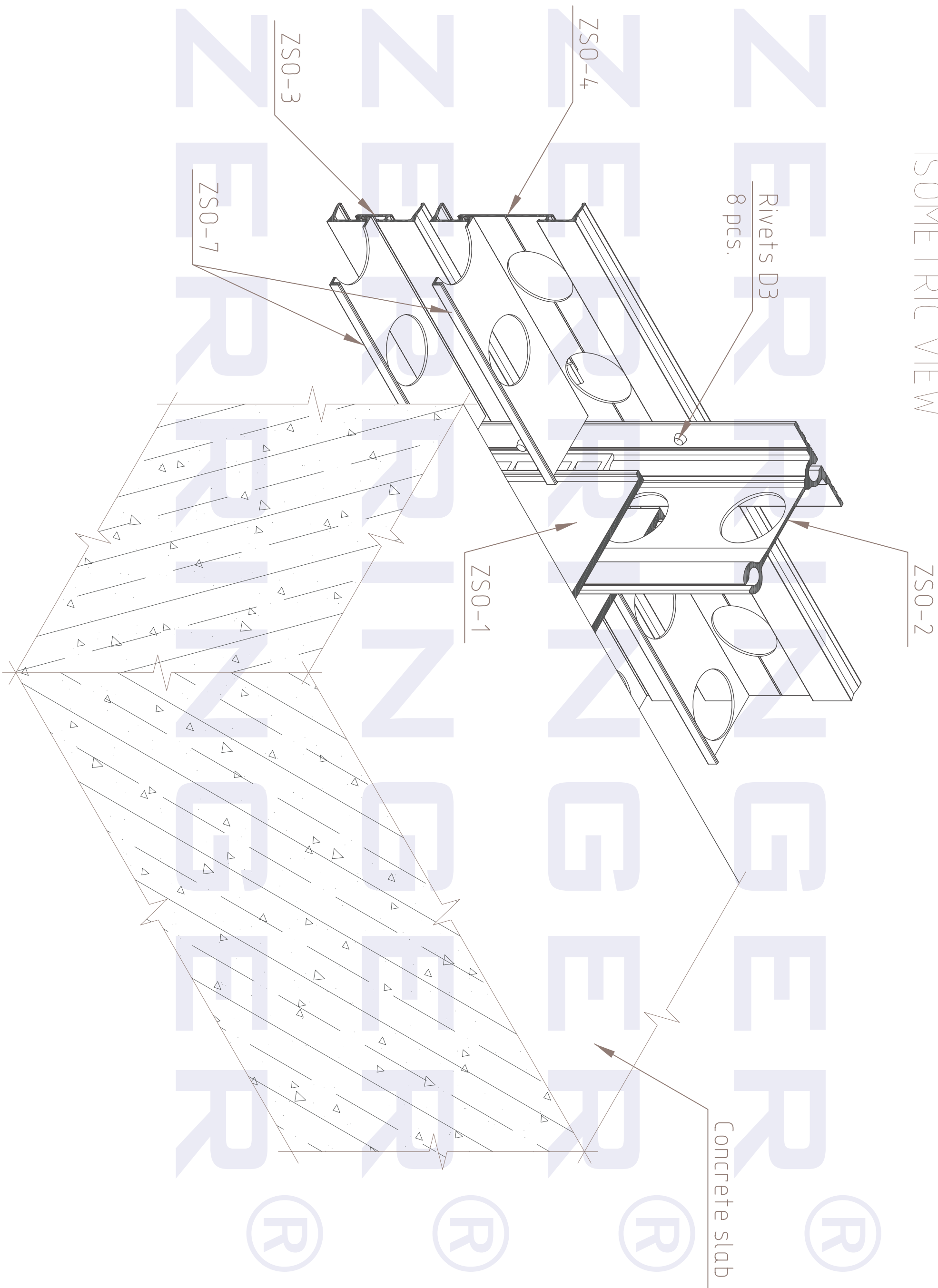
FRONT VIEW



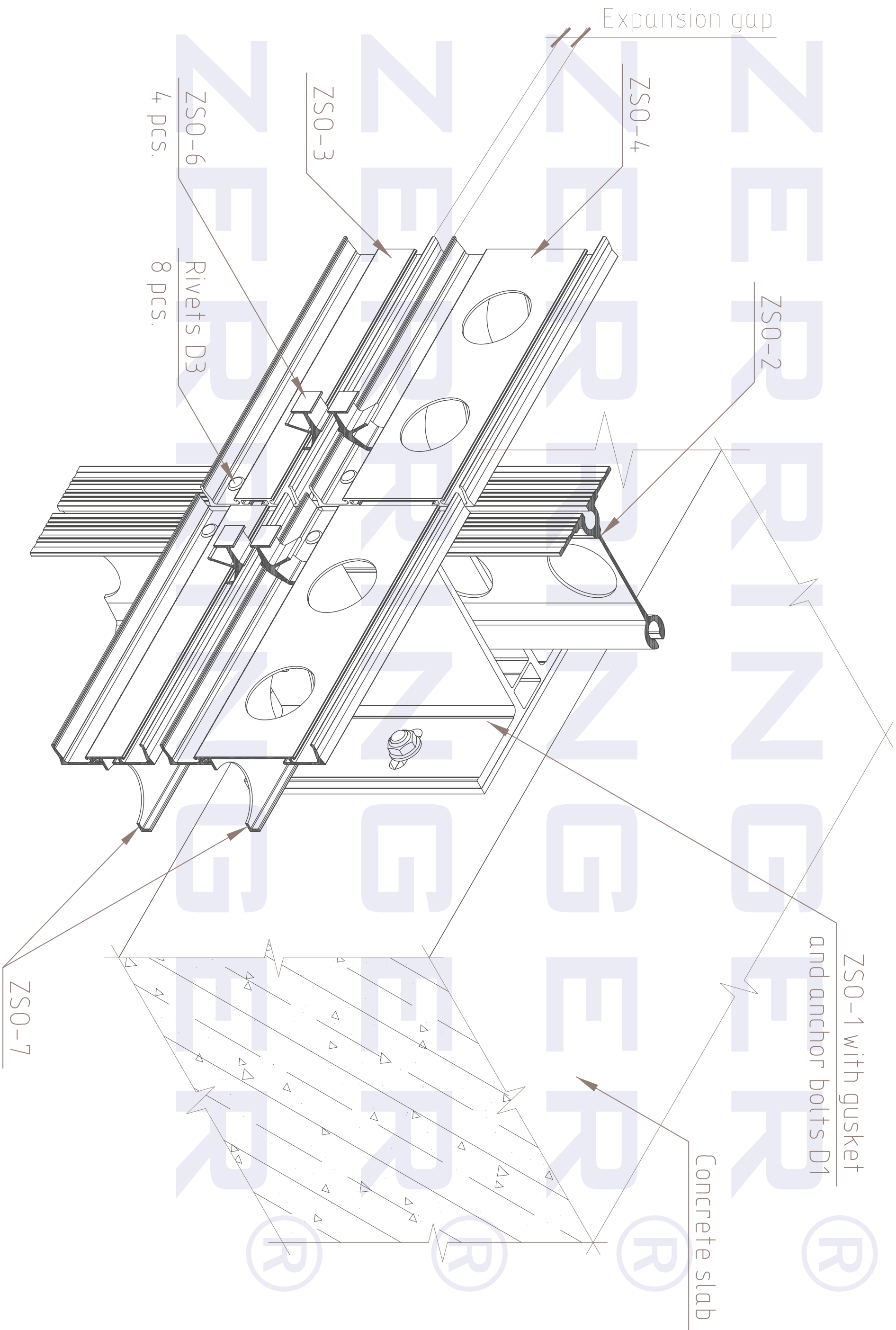
TOP VIEW



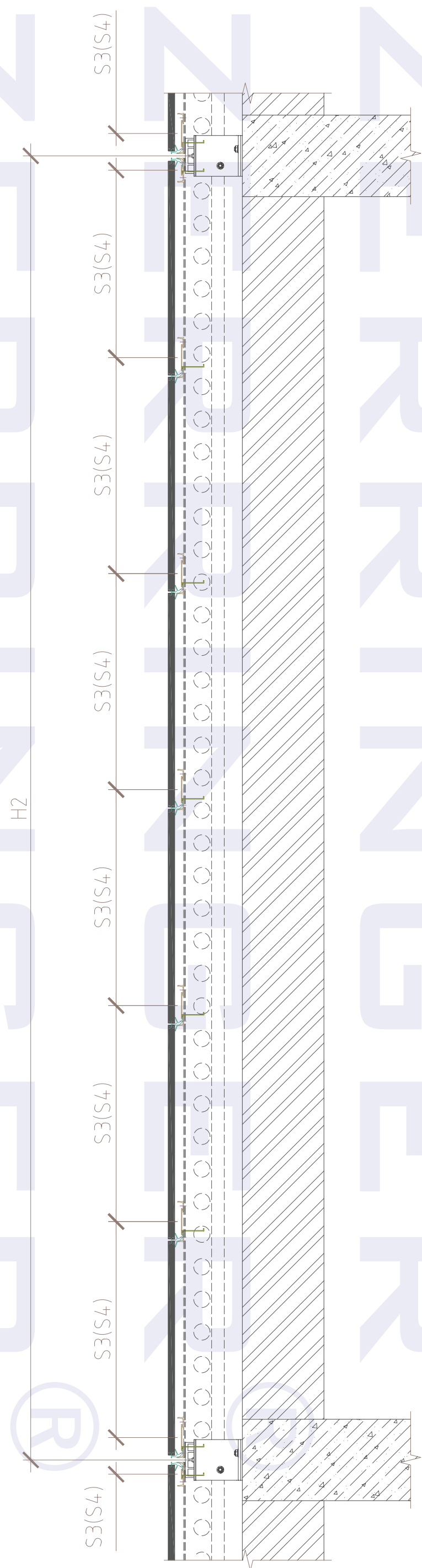
ISOMETRIC VIEW



ISOMETRIC VIEW

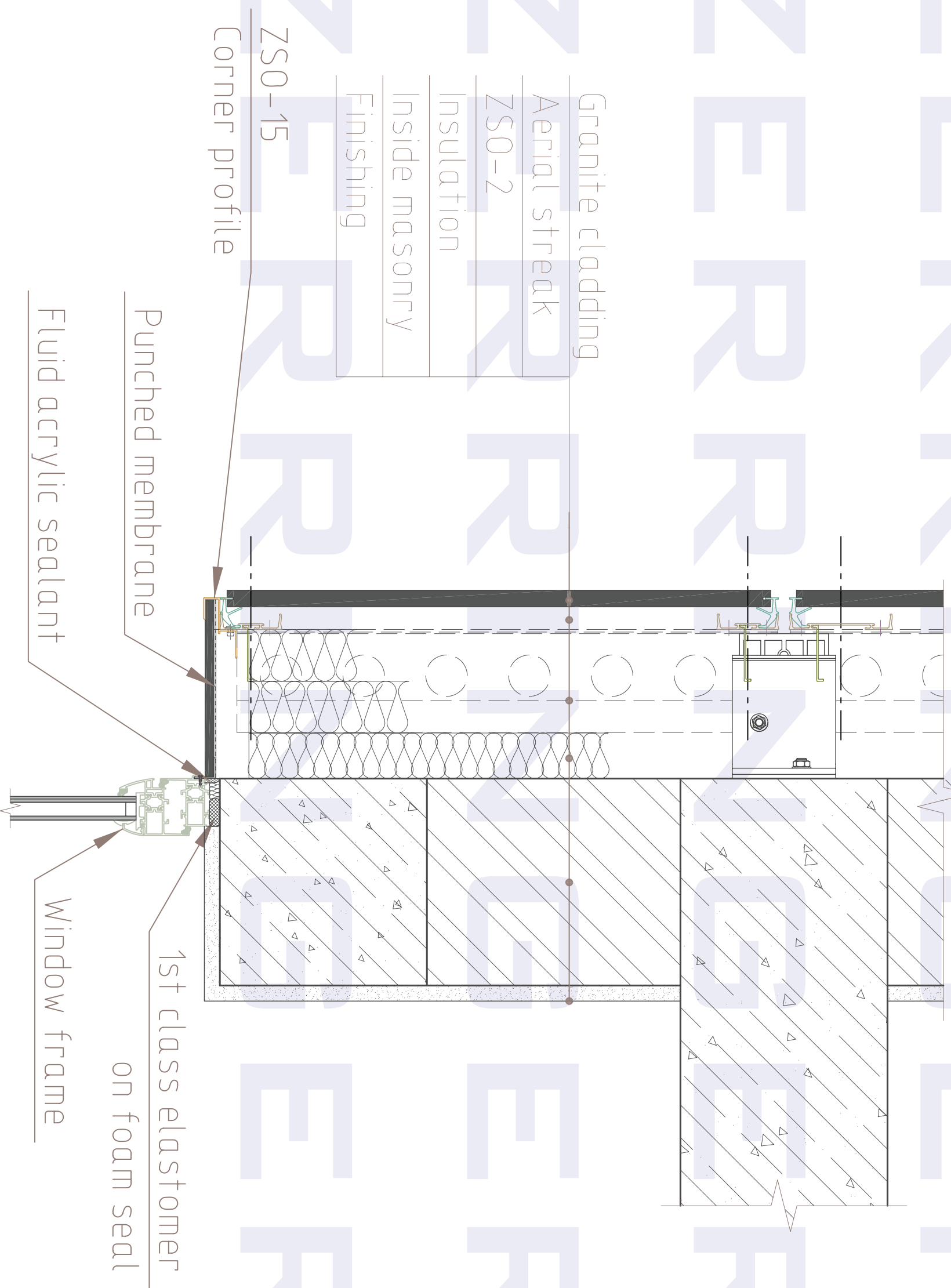


ELEVATION VIEW (blank wall)



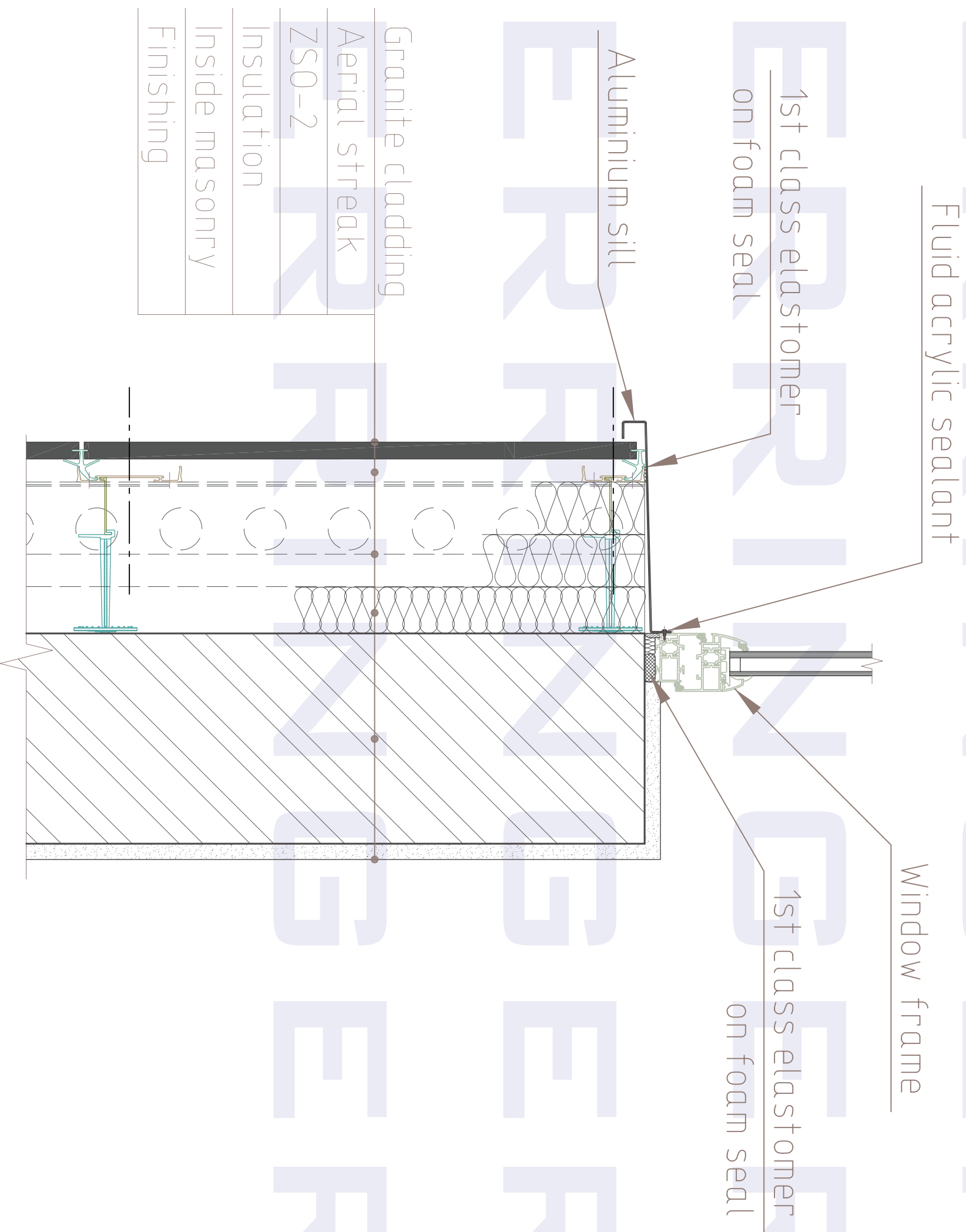
ELEVATION VIEW

(wall with window opening)

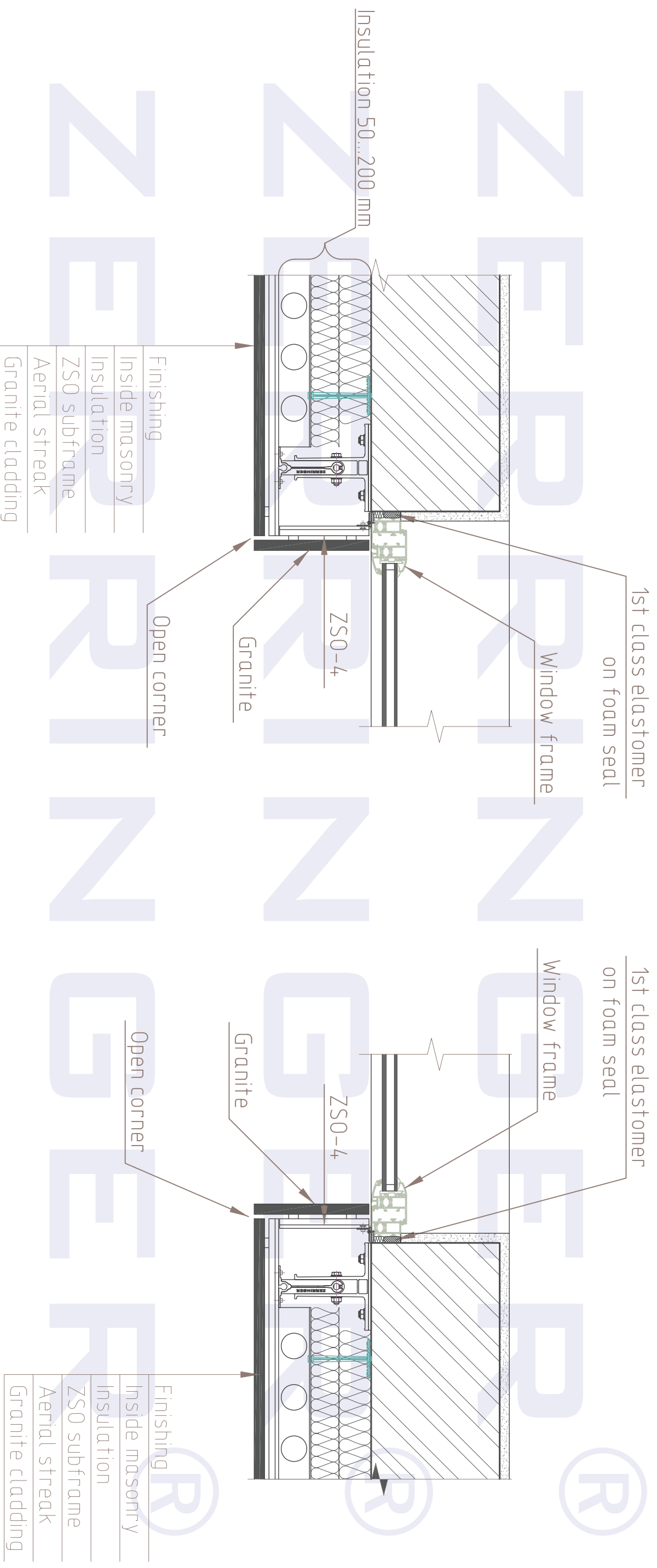


ELEVATION VIEW

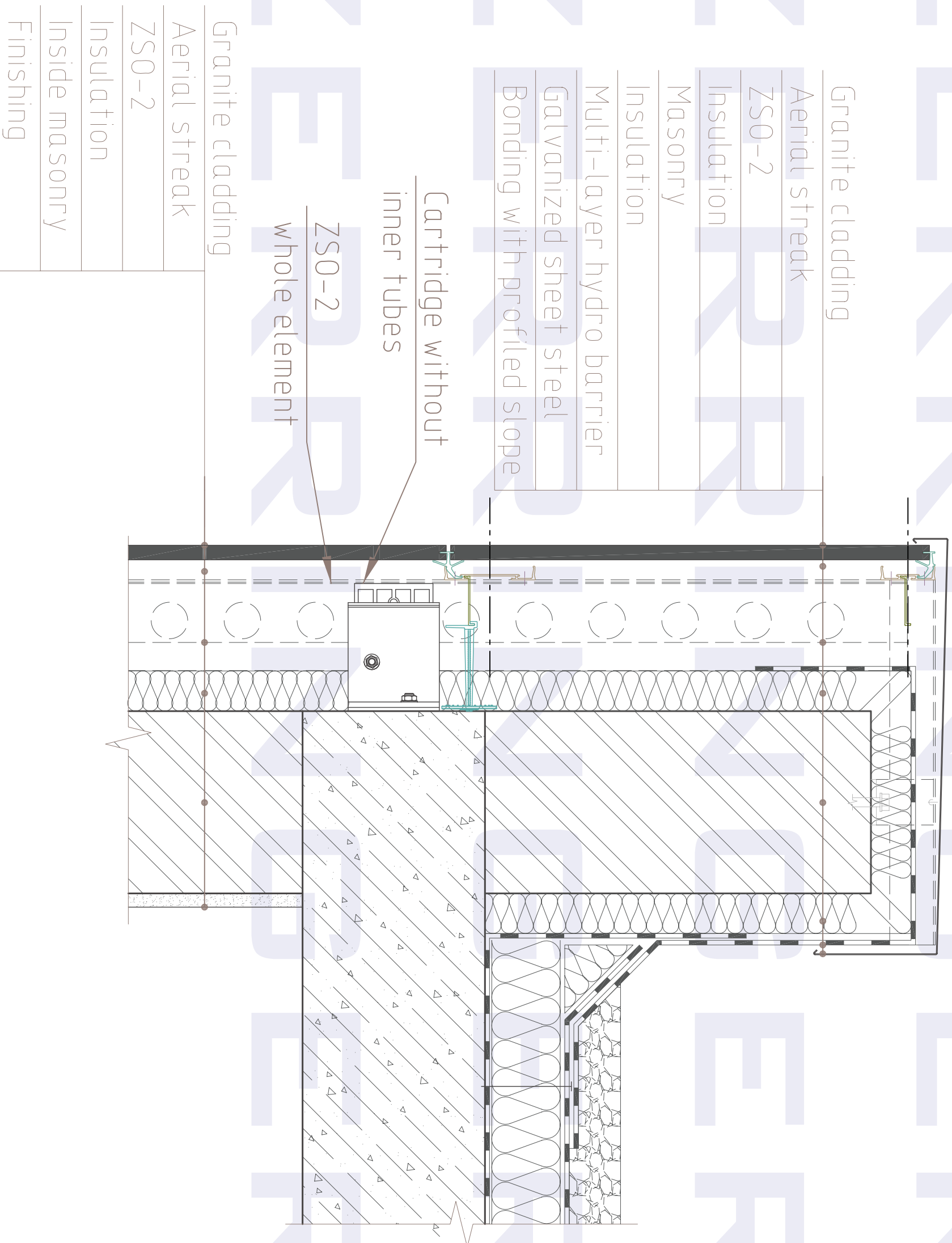
(wall with window opening)



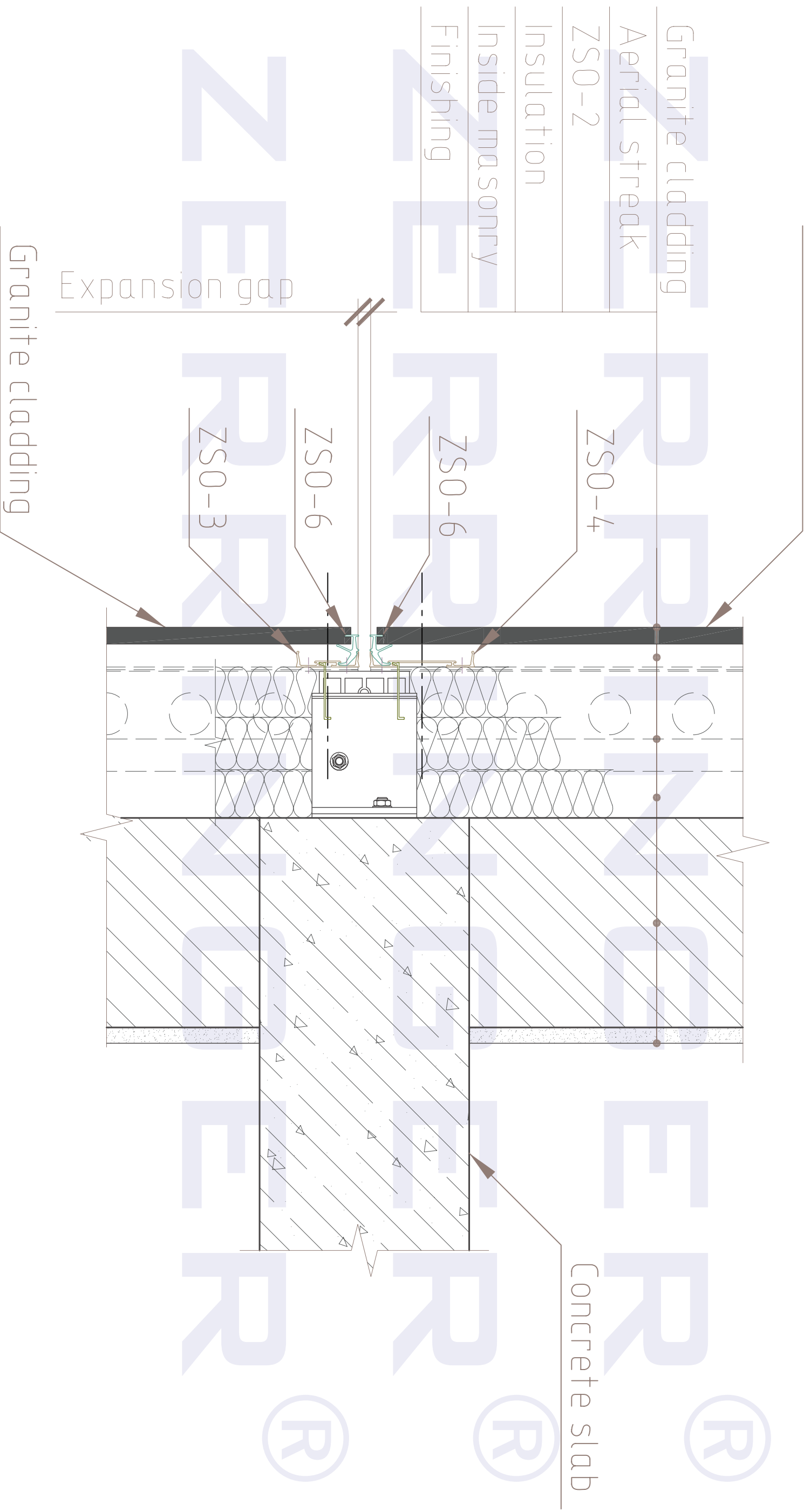
TOP VIEW
(window opening)



ELEVATION VIEW
(parapet)



ELEVATION VIEW (overlapping detail)



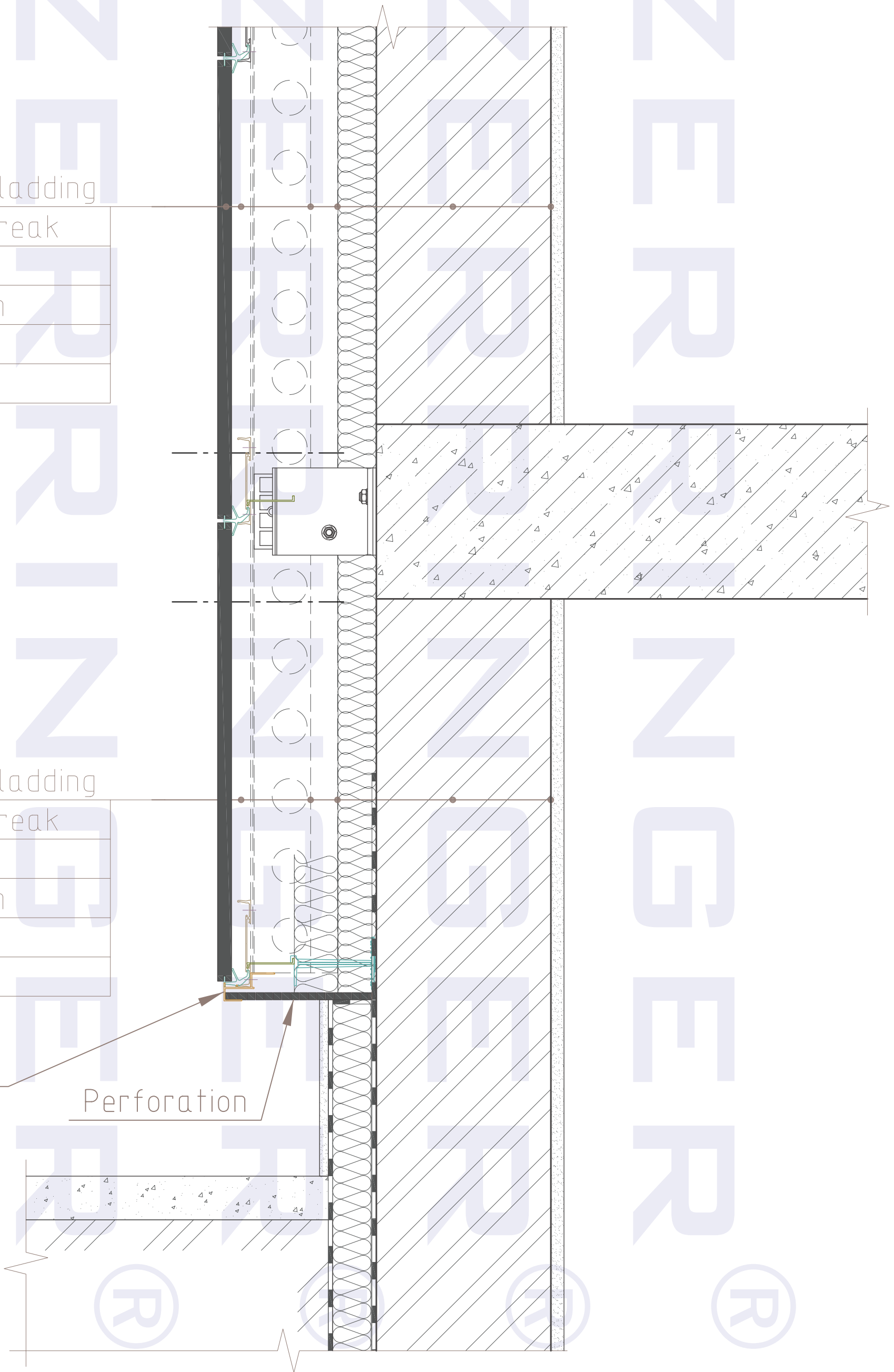
ELEVATION VIEW (basement)

Granite cladding
Aerial streak
ZSO-2
Insulation
Masonry
Finishing

Granite cladding
Aerial streak
ZSO-2
Insulation
Masonry
Finishing

ZSO-15
Corner profile

Perforation



ELEVATION VIEW (balcony)

ZSO-4

Granite cladding

Aerial streak

ZSO-2

Insulation

Masonry

Finishing

ZSO-4

Aluminium bend sheet

Water proofing

Balcony slab

ZSO-3

Granite cladding

Aerial streak

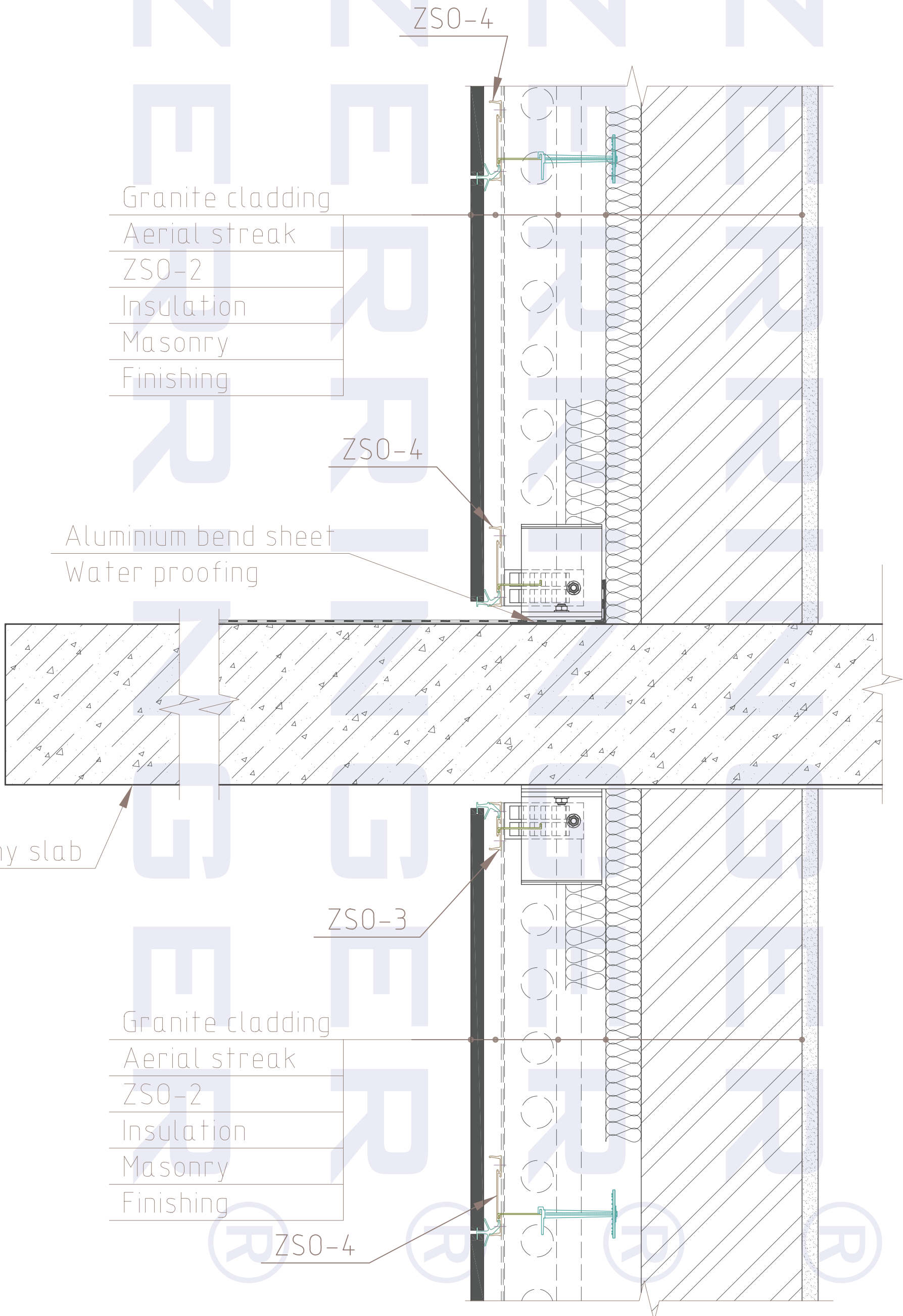
ZSO-2

Insulation

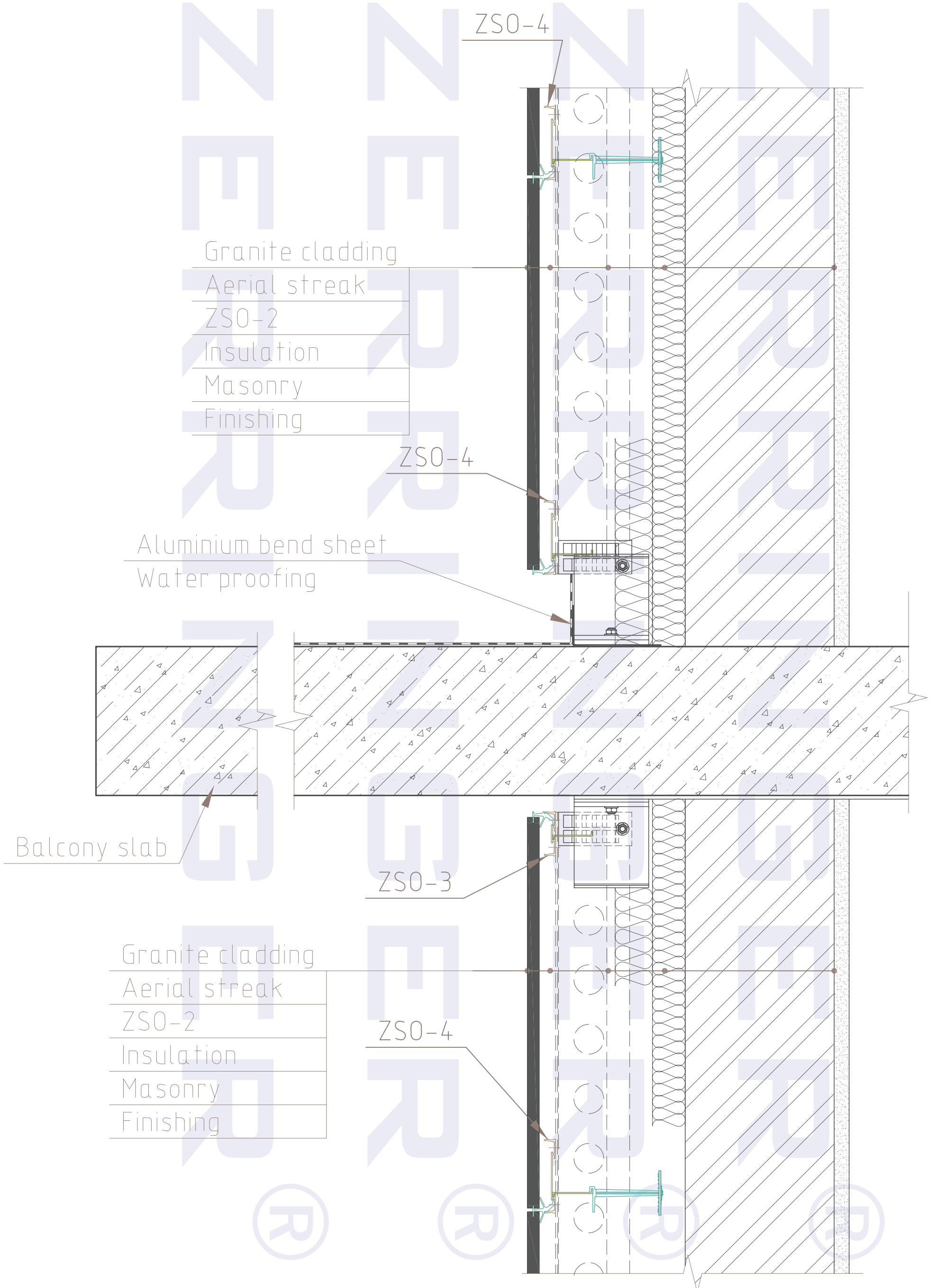
Masonry

Finishing

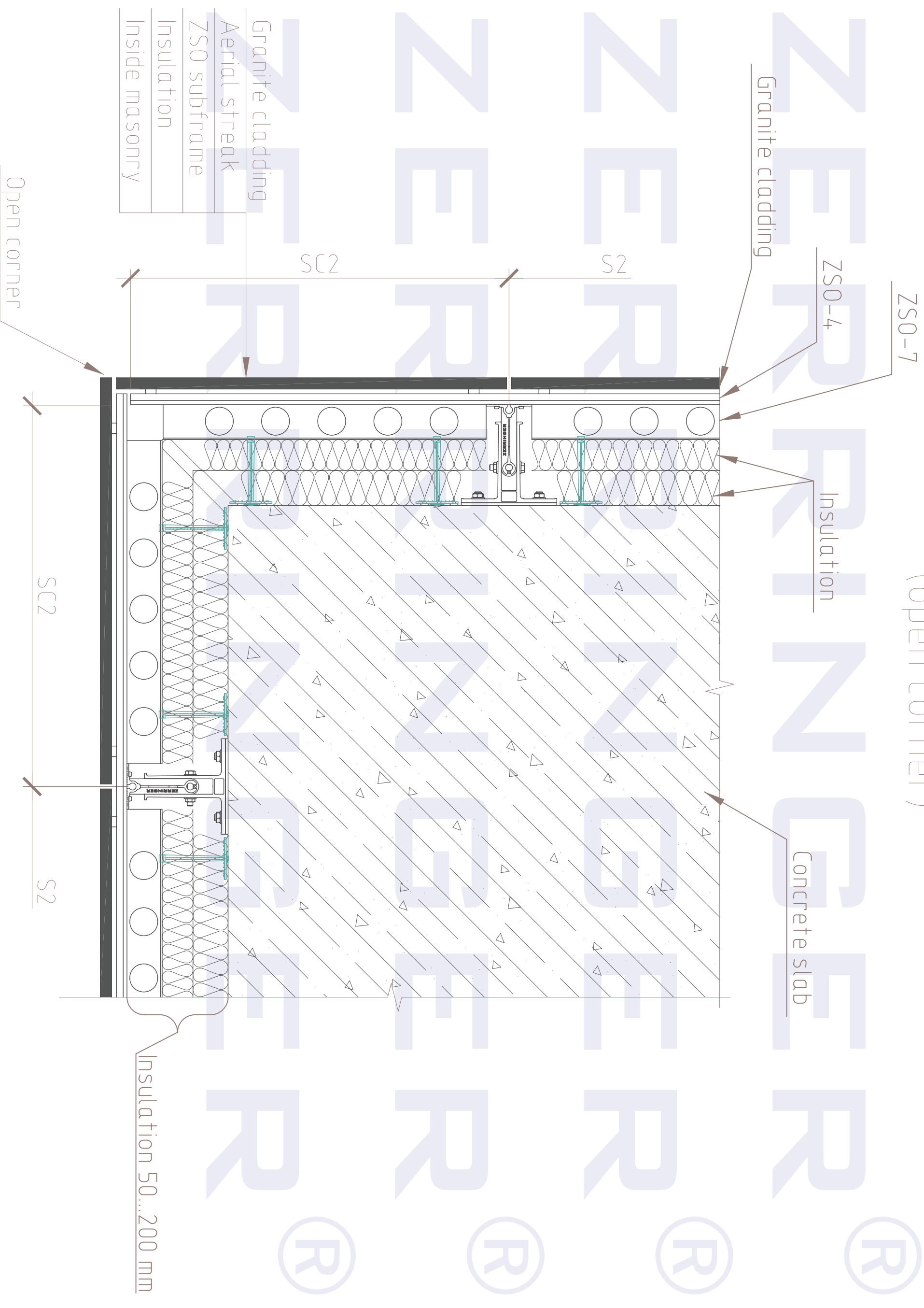
ZSO-4



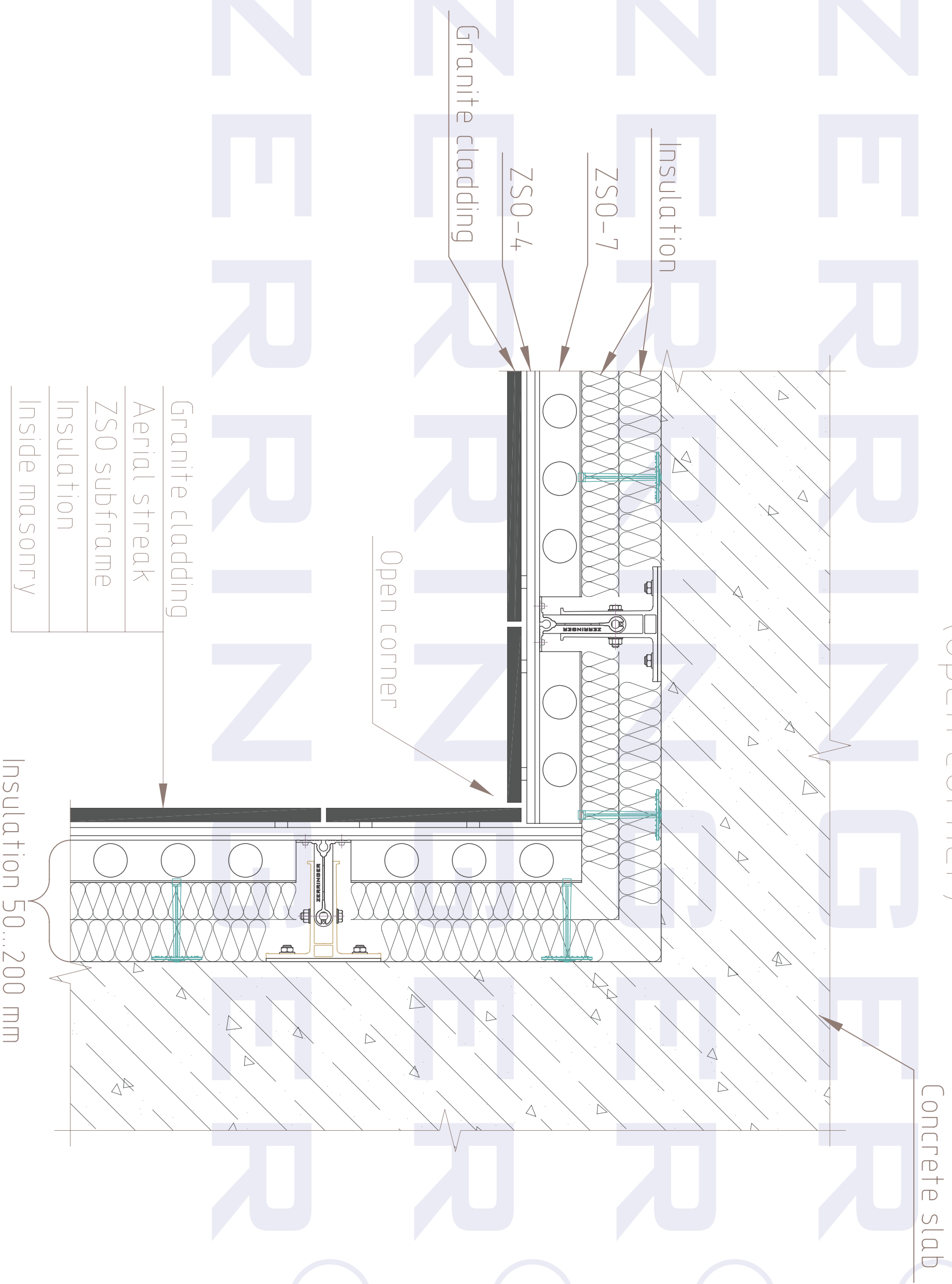
ELEVATION VIEW (balcony)



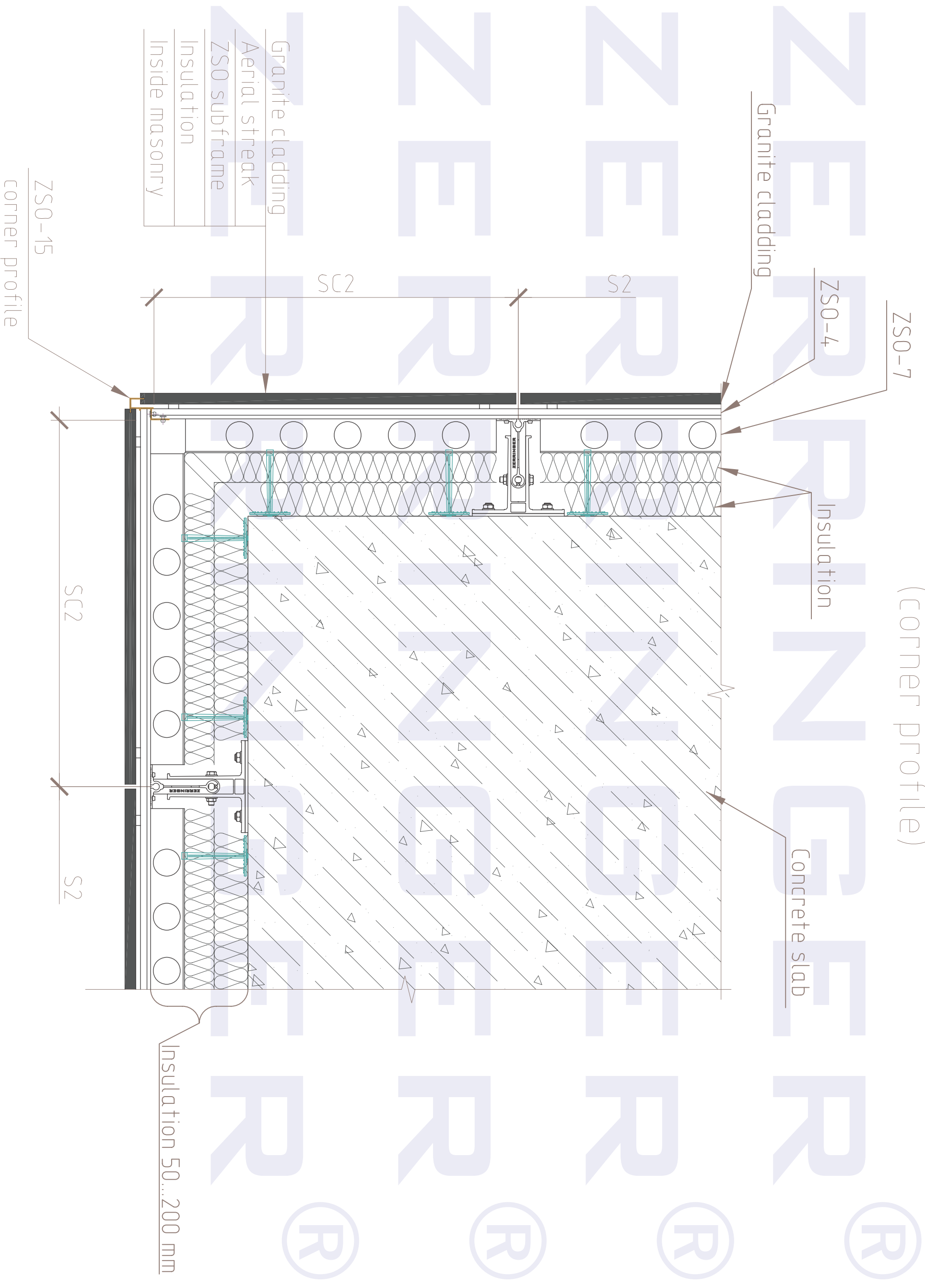
TOP VIEW - external corner
(open corner)



TOP VIEW - internal corner
(open corner)



TOP VIEW - external corner
(corner profile)



TOP VIEW - internal corner
(corner profile)

