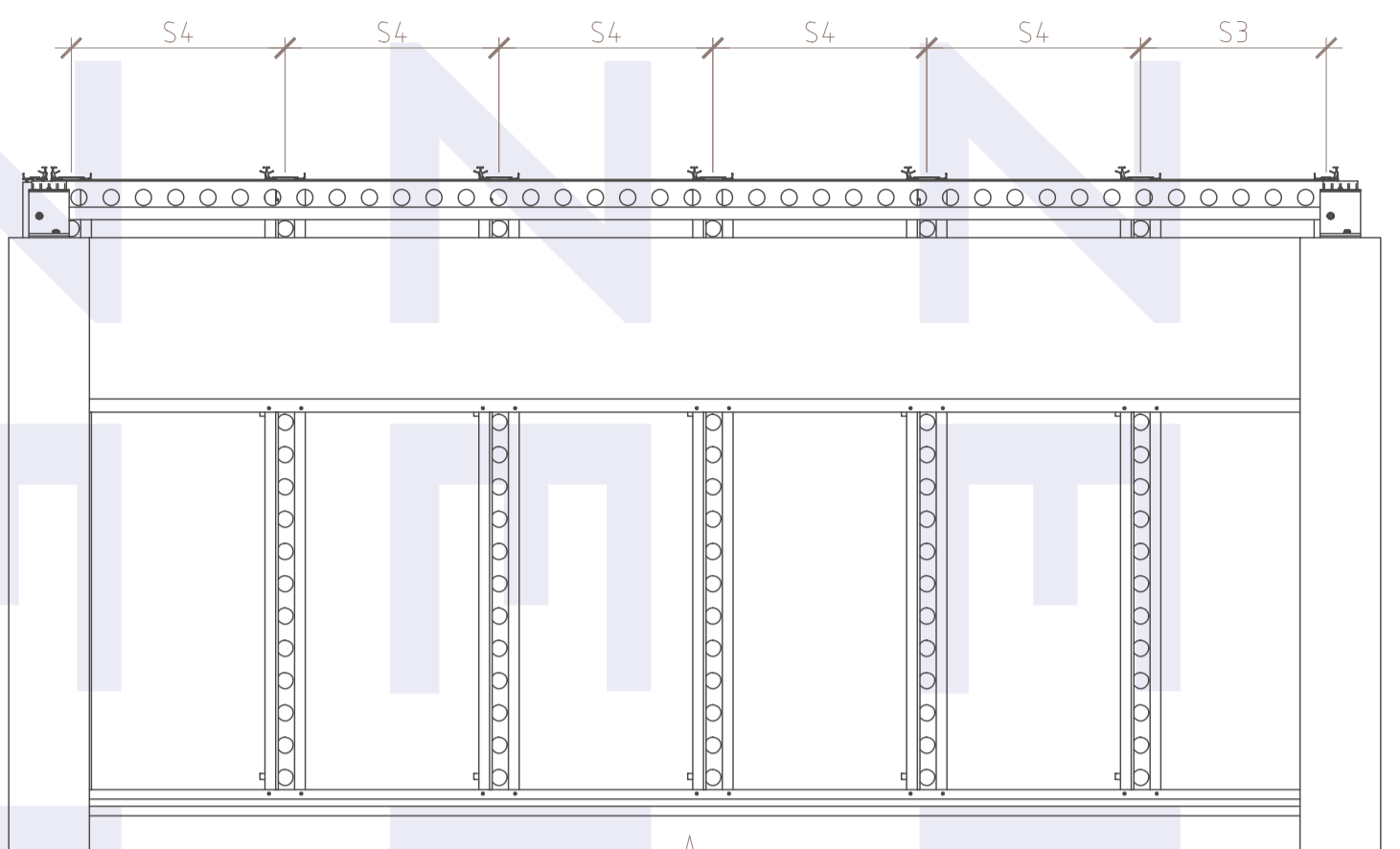
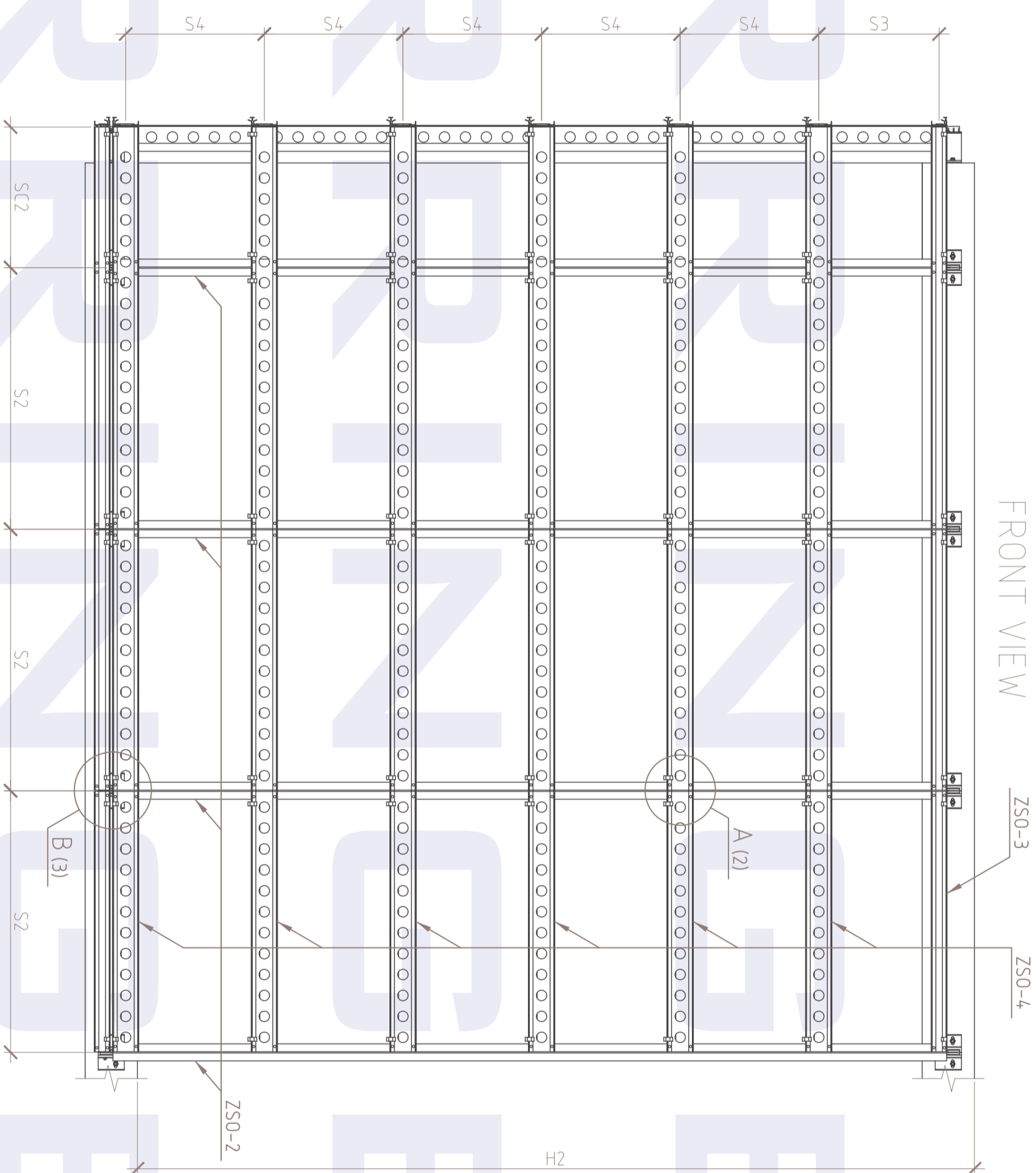


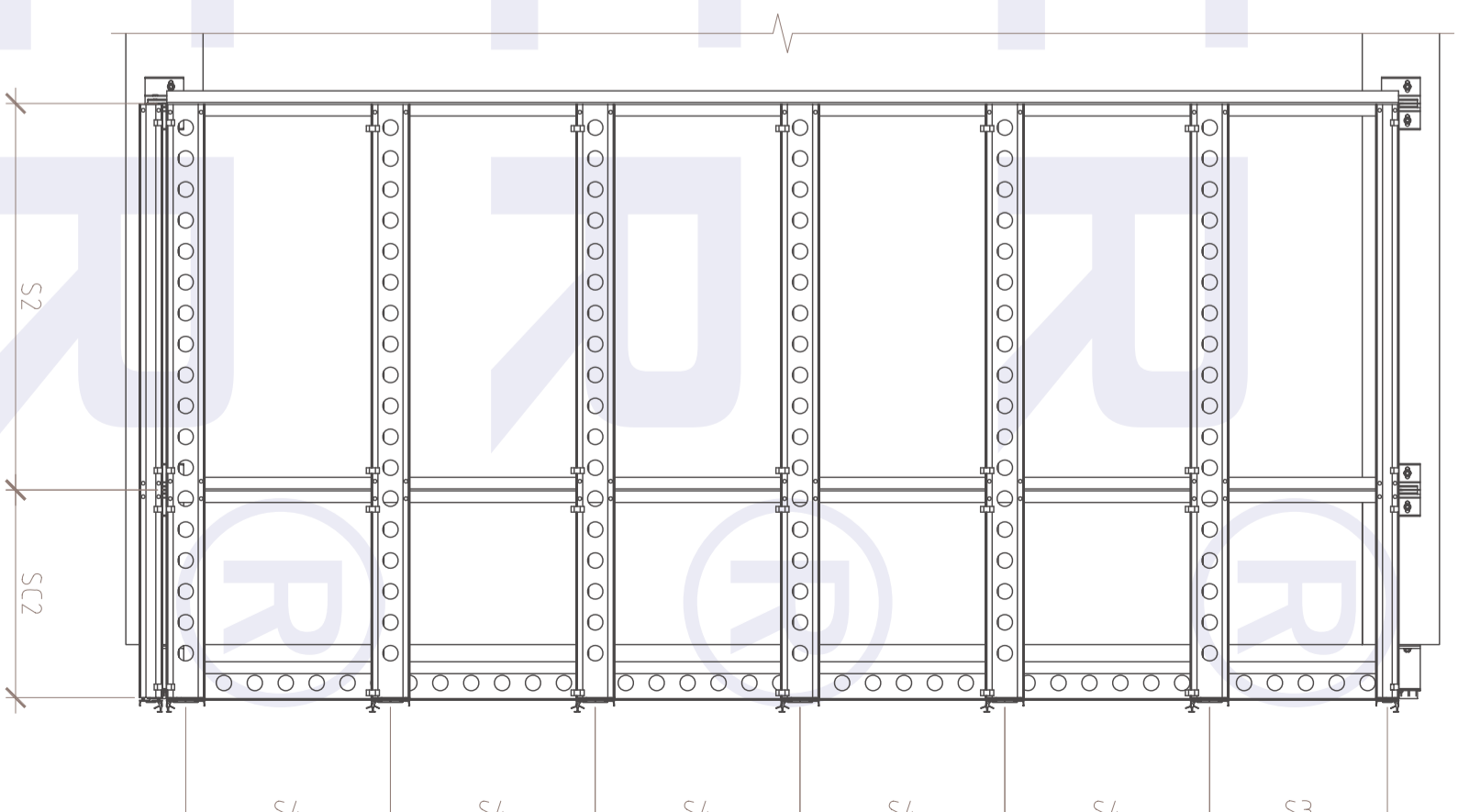
ELEVATION VIEW



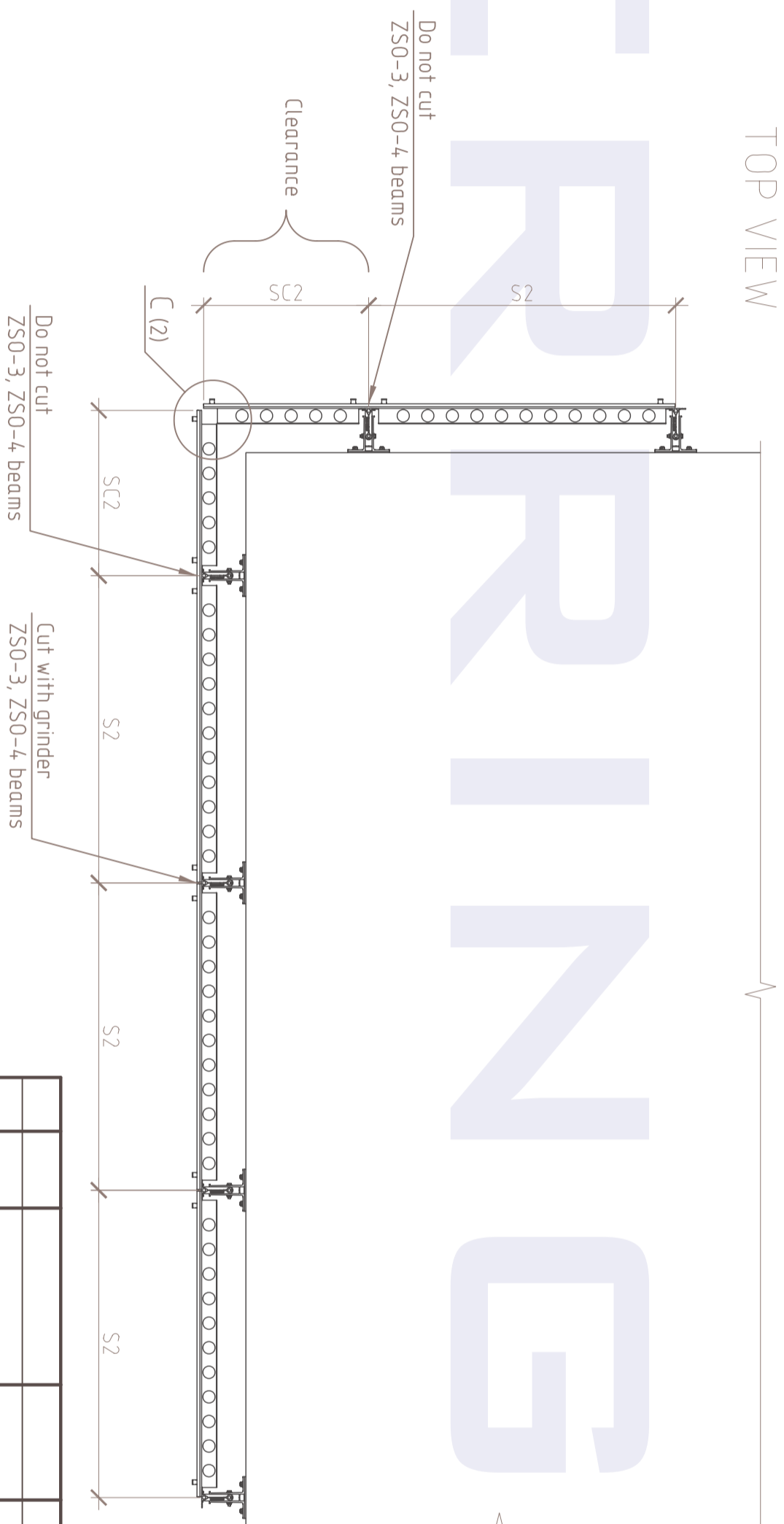
FRONT VIEW



ELEVATION VIEW

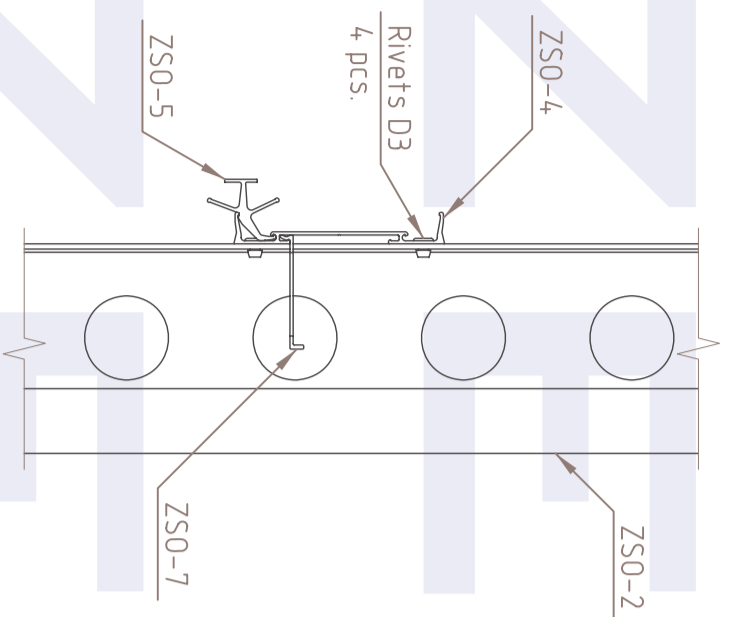


TOP VIEW

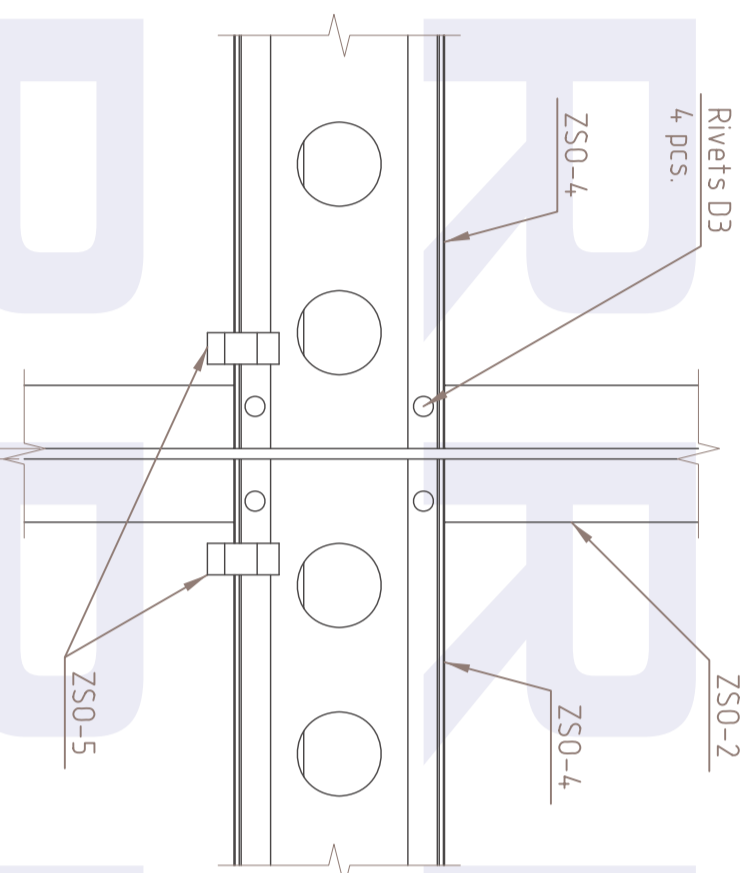




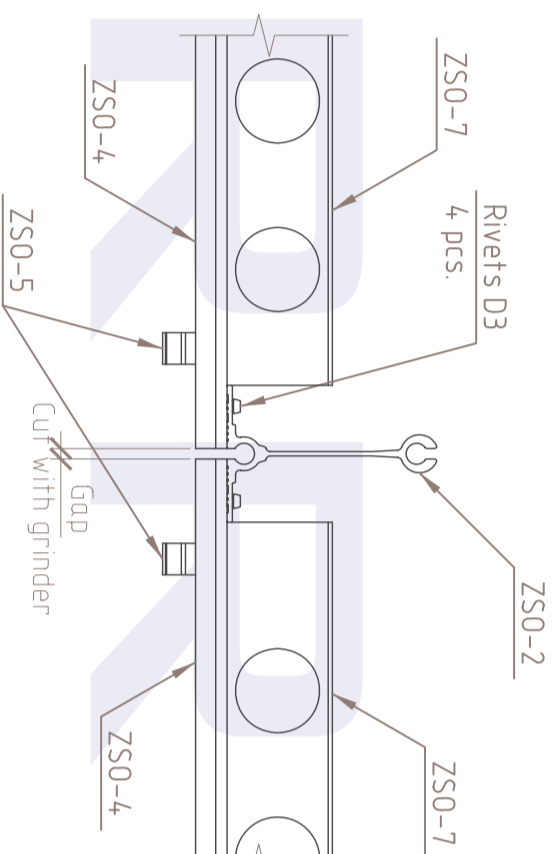
ELEVATION VIEW



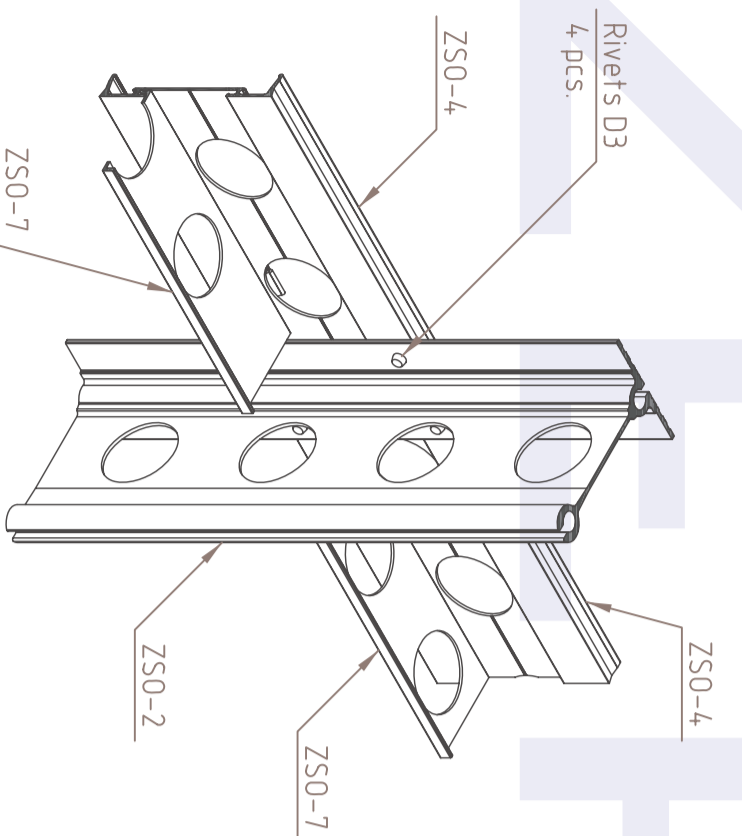
FRONT VIEW



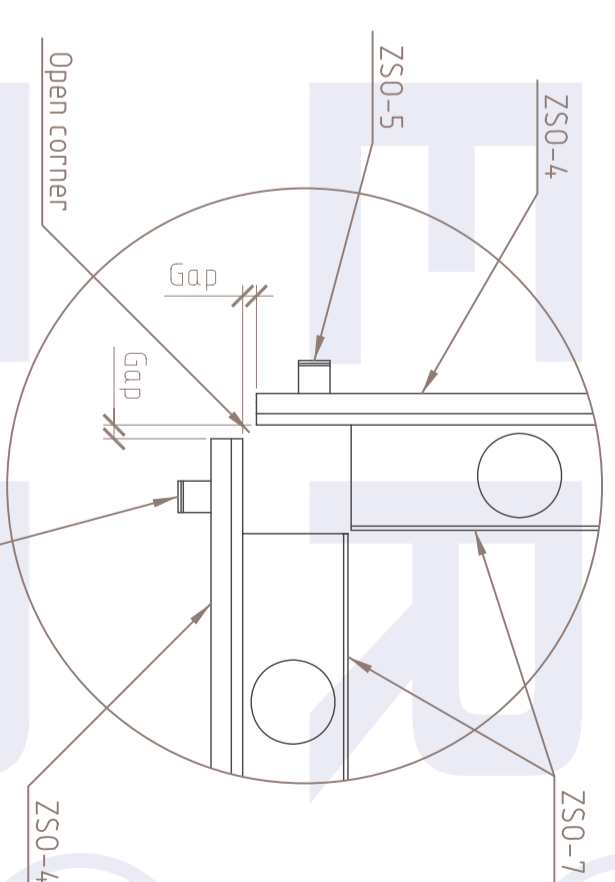
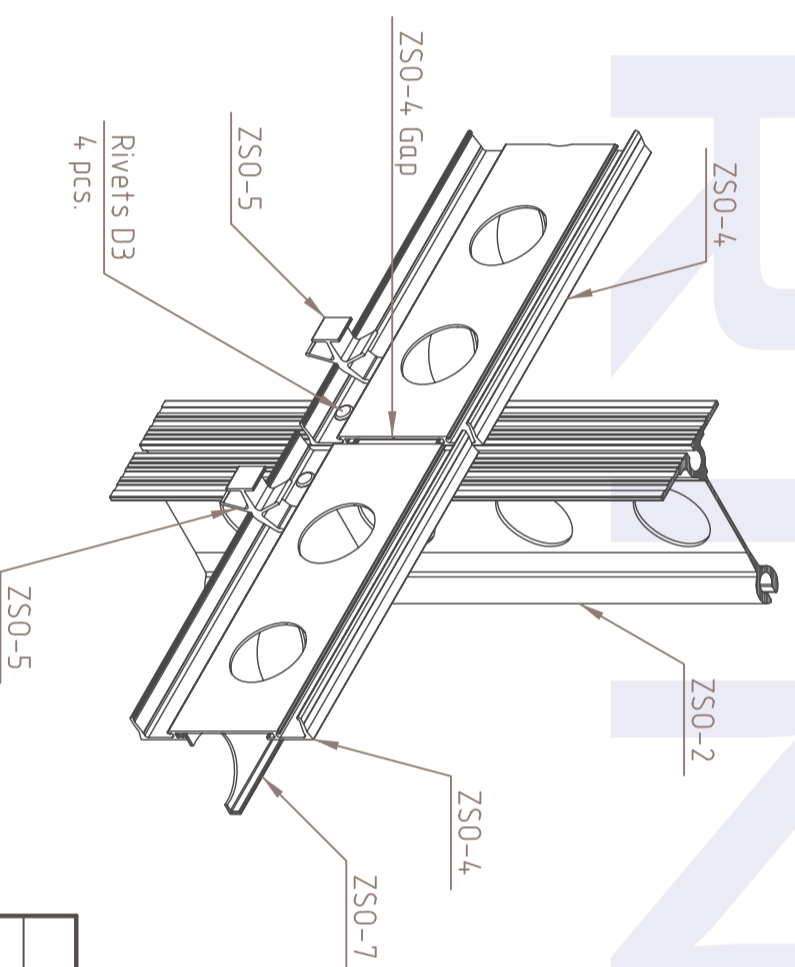
TOP VIEW



ISOMETRIC VIEW



ISOMETRIC VIEW



Fixing detail (D3)

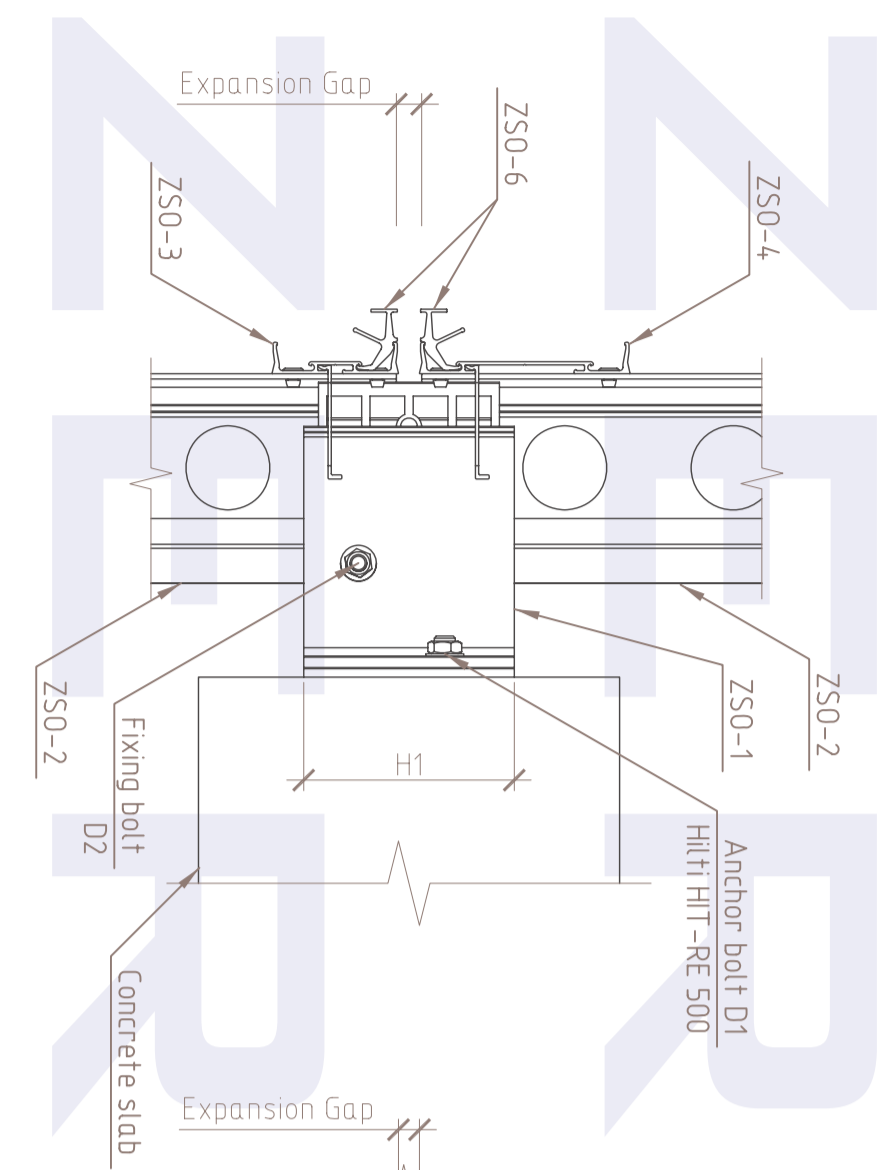
Fixing method:

- blind rivets
- thread cutting screw

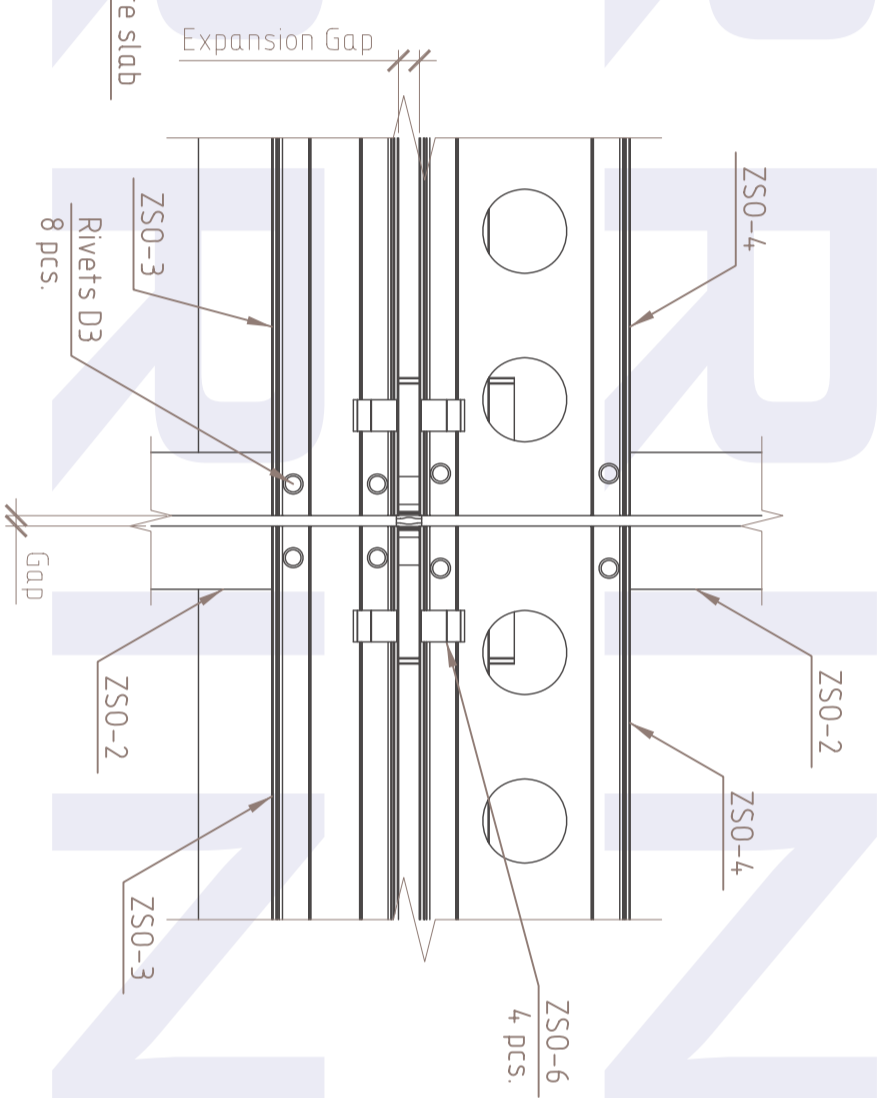
Rivets -

- 4.8 - Al(Mg 3.5)-ST DIN 7337;
 - 6.0 - Al(Mg 3.5)-stainless steel AISI 304 DIN 7337.
 - Self-tapped bolts - TEX 4.8x13, 4.2x16 DIN 7504 N
 - Anchors - HILTI HIT-RE 500 - HAS (HAS-5.8, ISO 898 T1, galvanize min 5 mkm, HAS-R stainless steel A4-70; 1.4401, 1.4404, 1.4571).
- See also developer's recommendation.

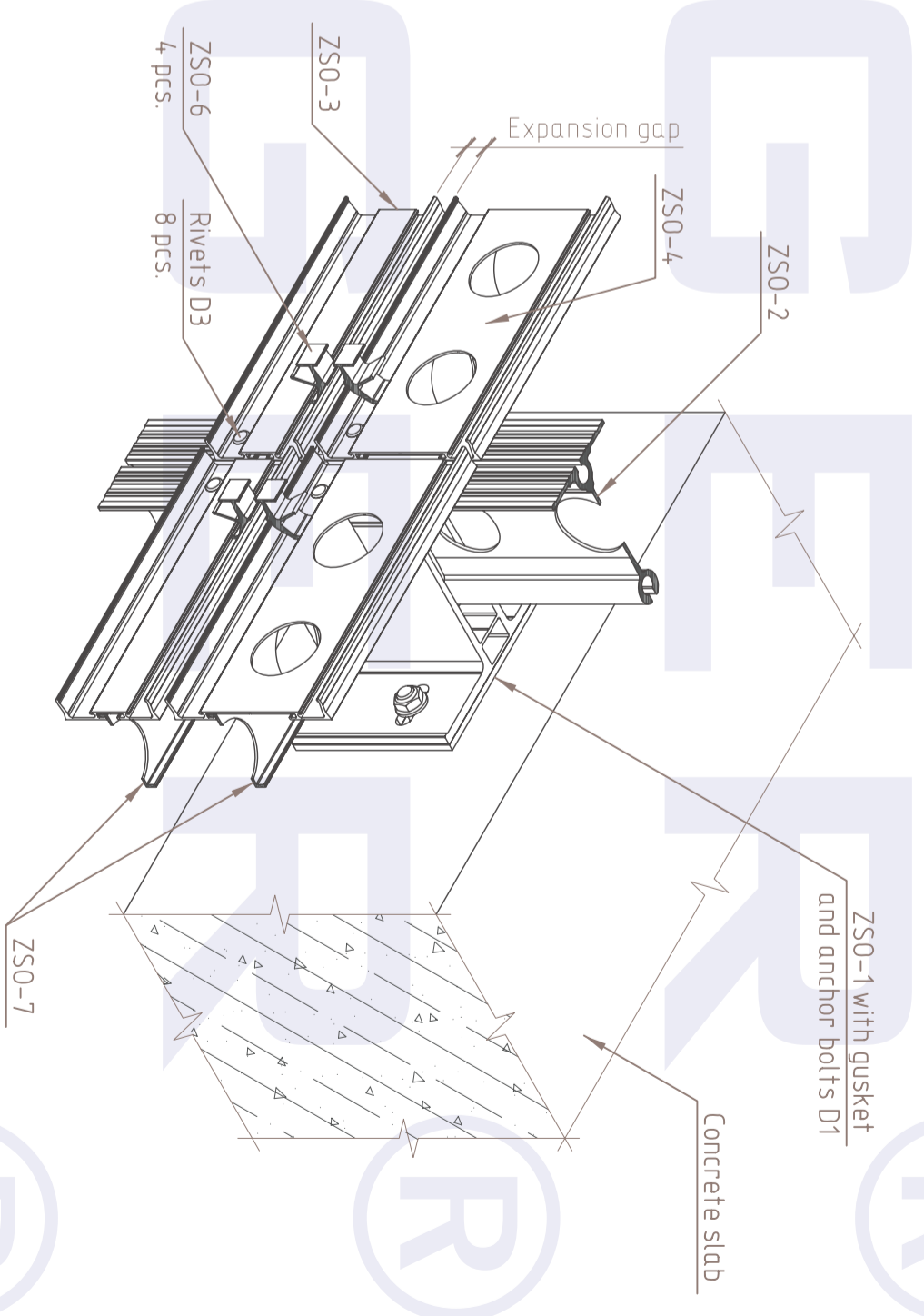
ELEVATION VIEW



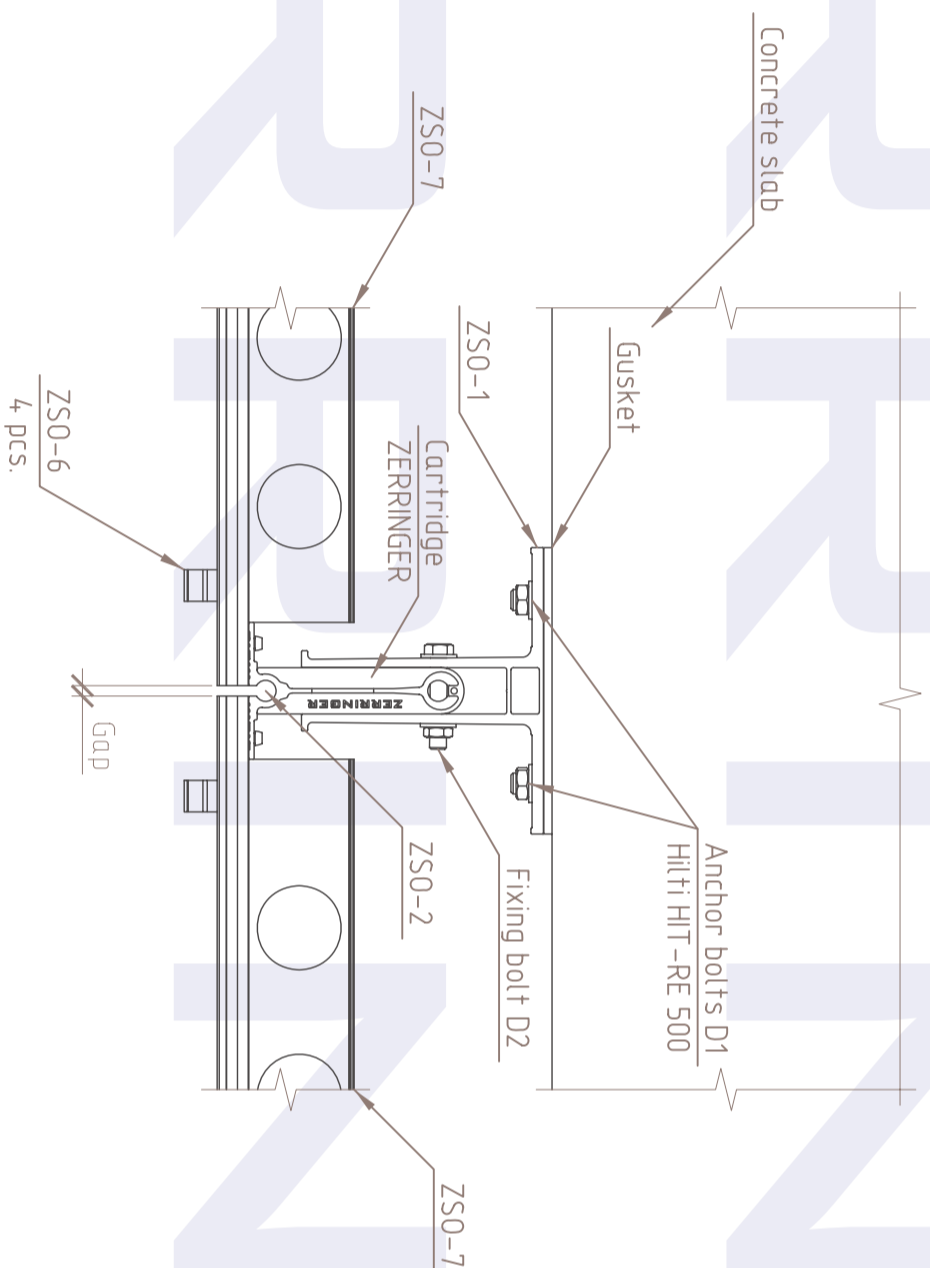
FRONT VIEW



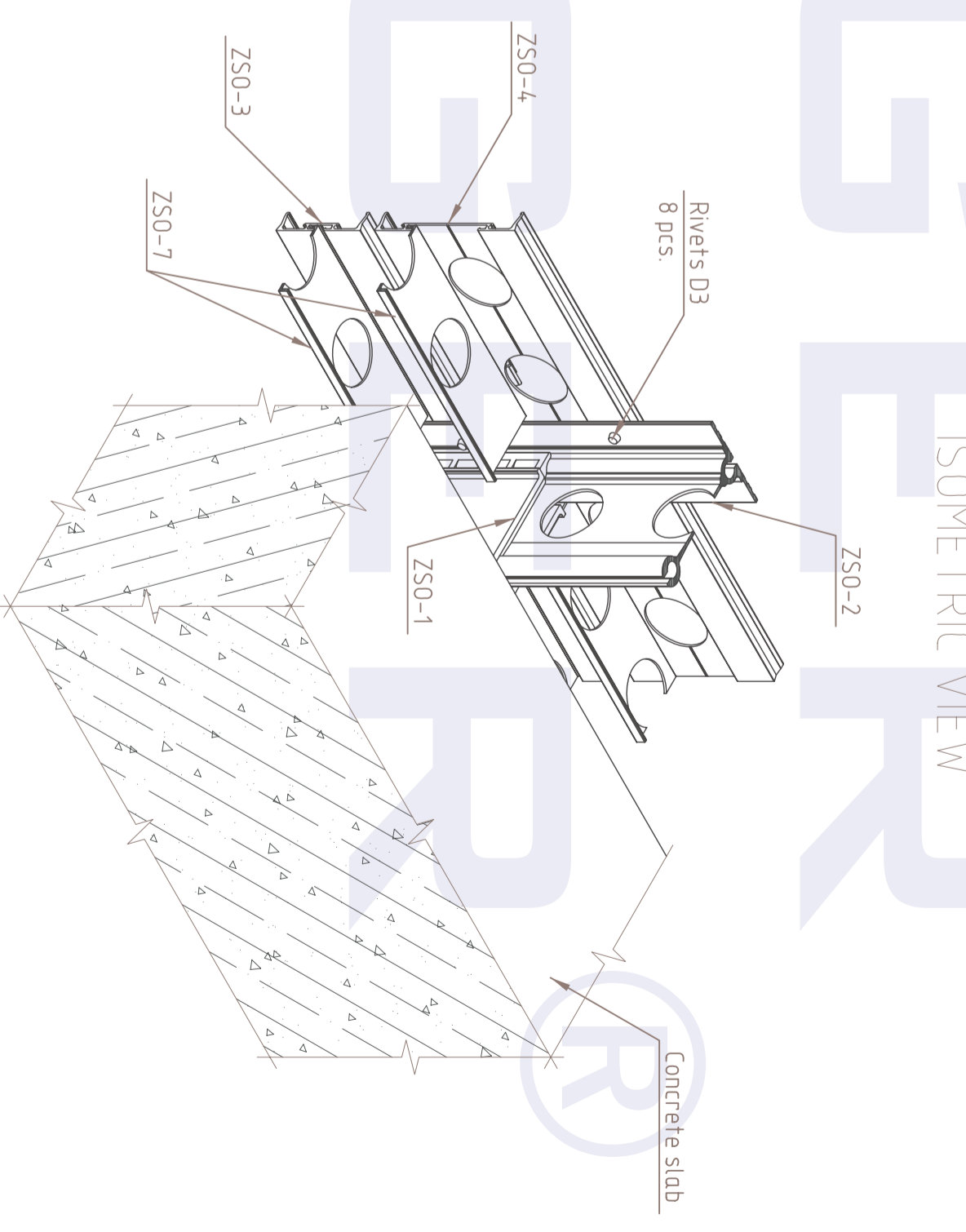
ISOMETRIC VIEW

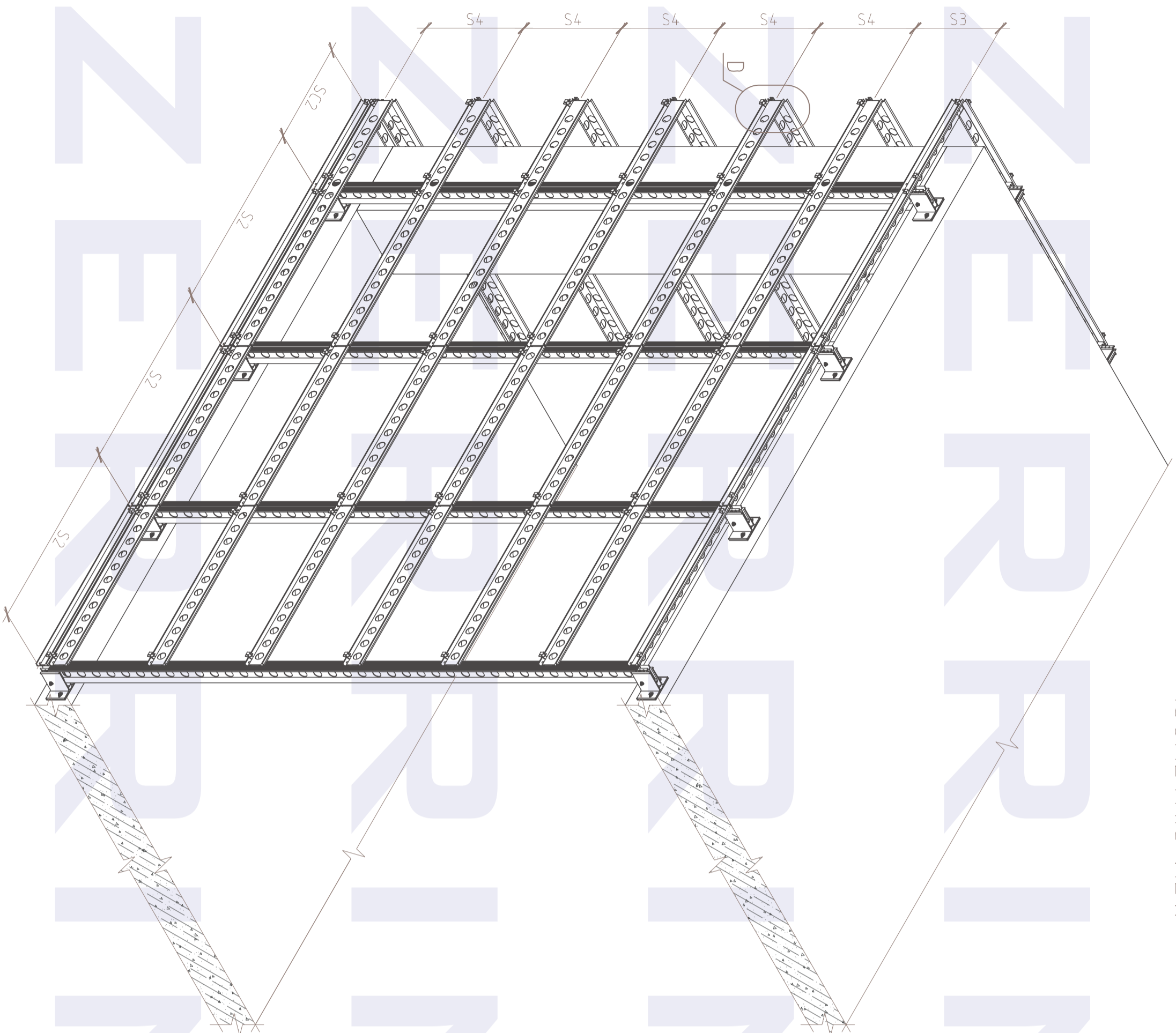


TOP VIEW

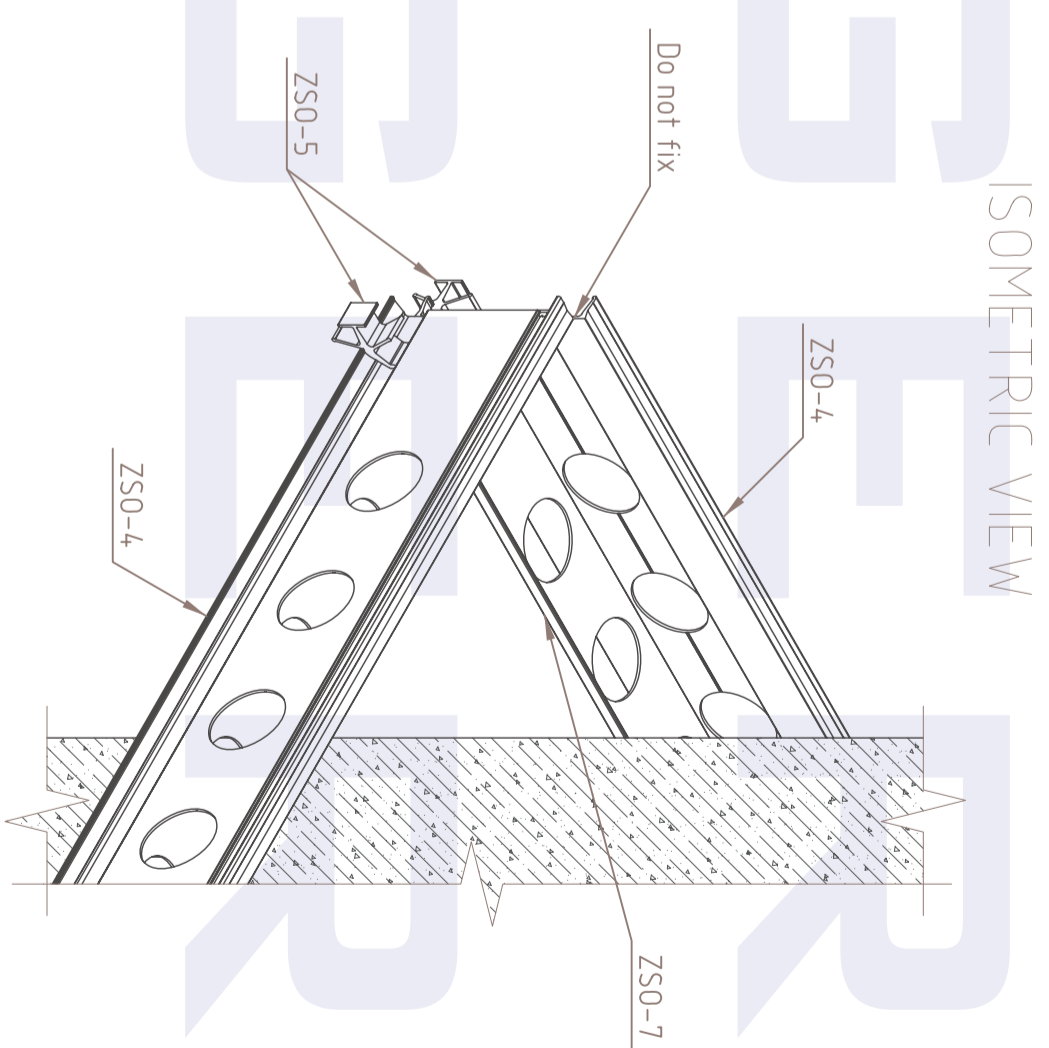


ISOMETRIC VIEW



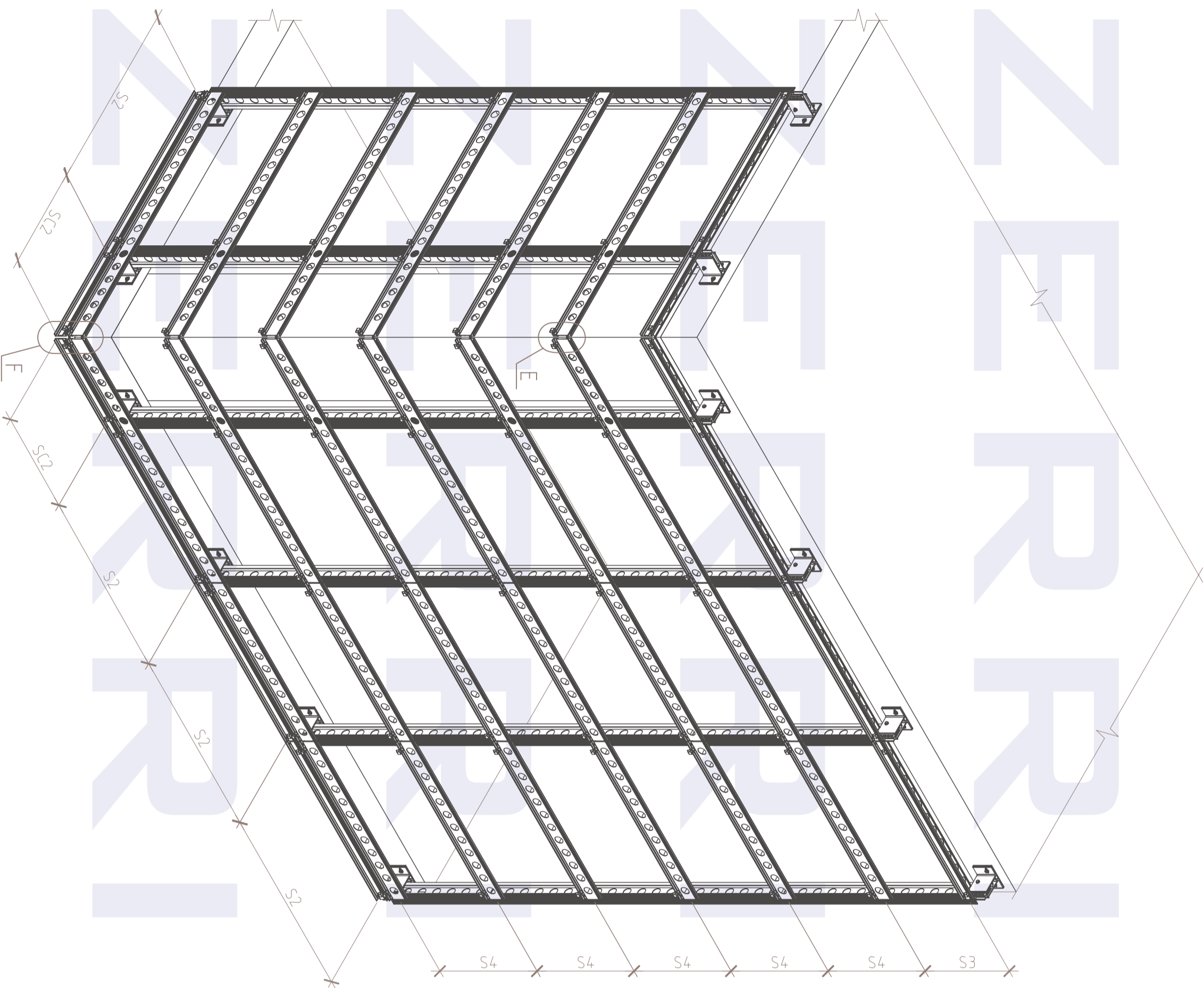


ISOMETRIC VIEW



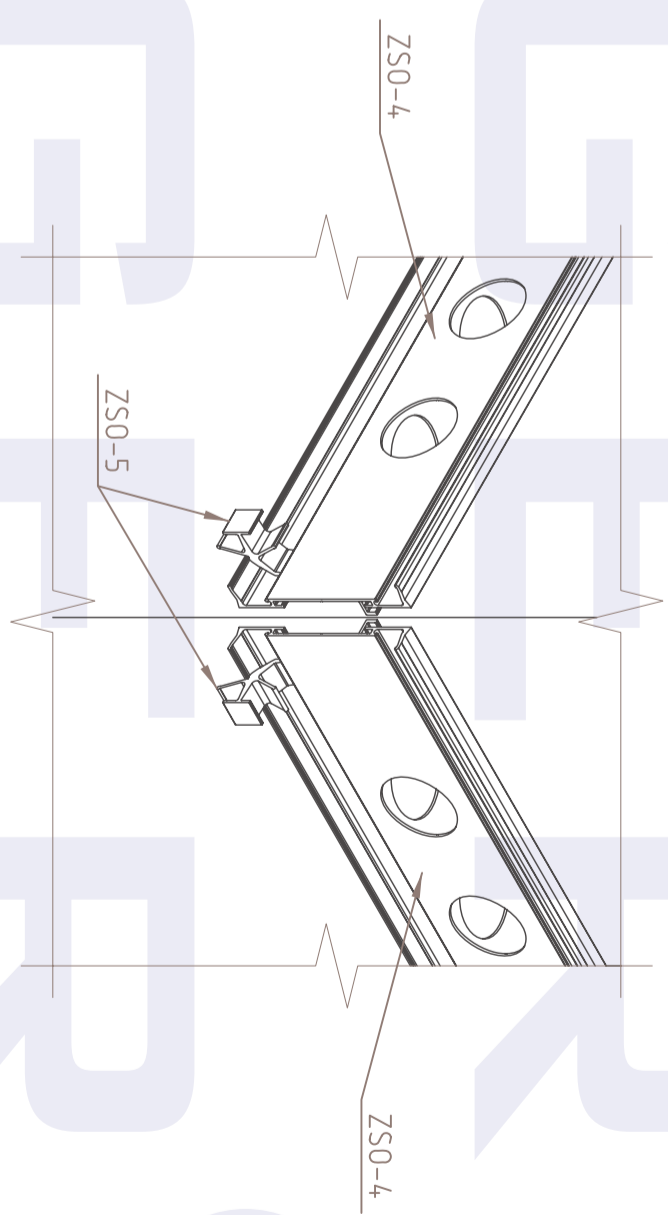
ISOMETRIC VIEW

ISOMETRIC VIEW



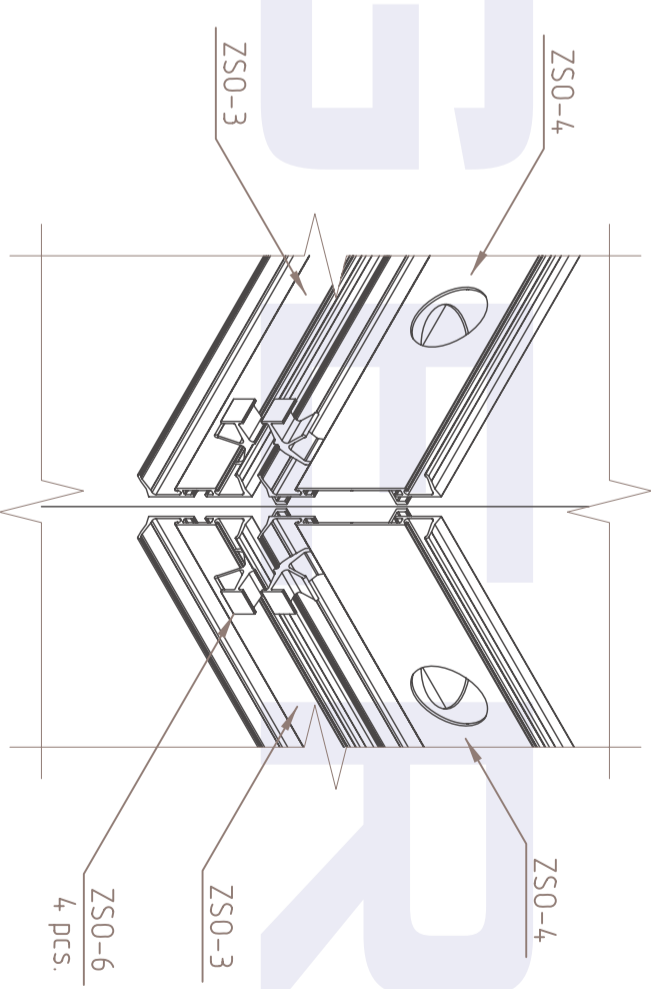
(E)

ISOMETRIC VIEW



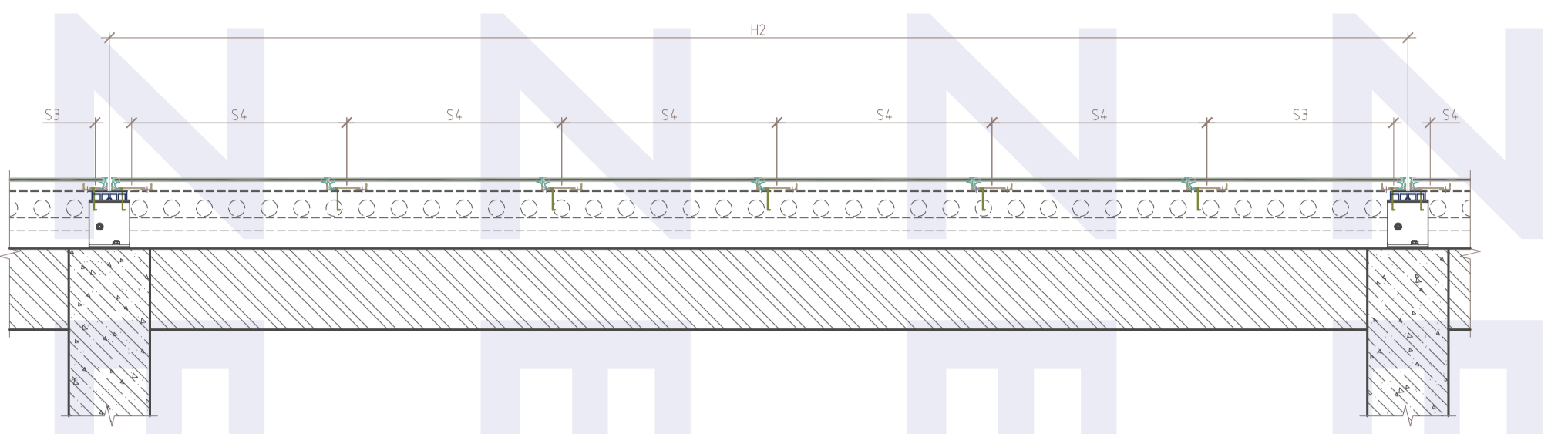
(F)

ISOMETRIC VIEW

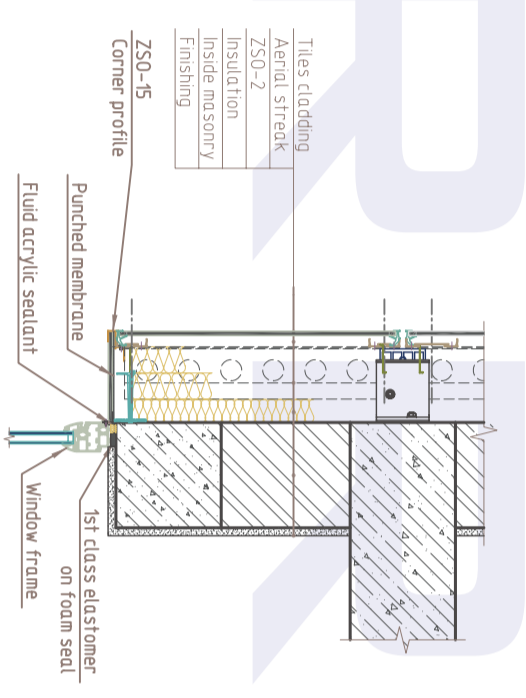


ZERRINGER

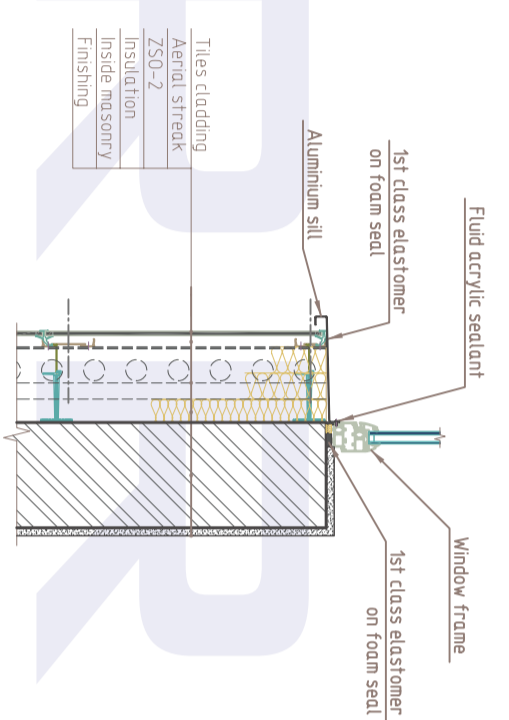
ELEVATION VIEW (blank wall)



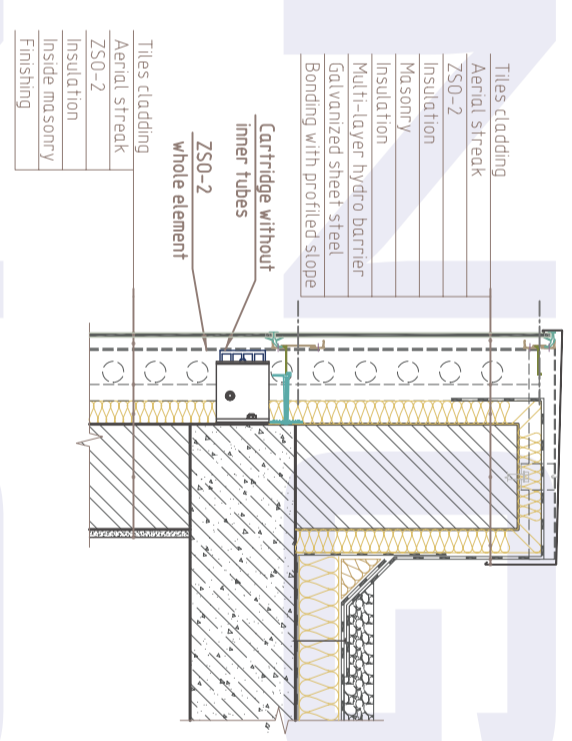
ELEVATION VIEW (wall with window opening)



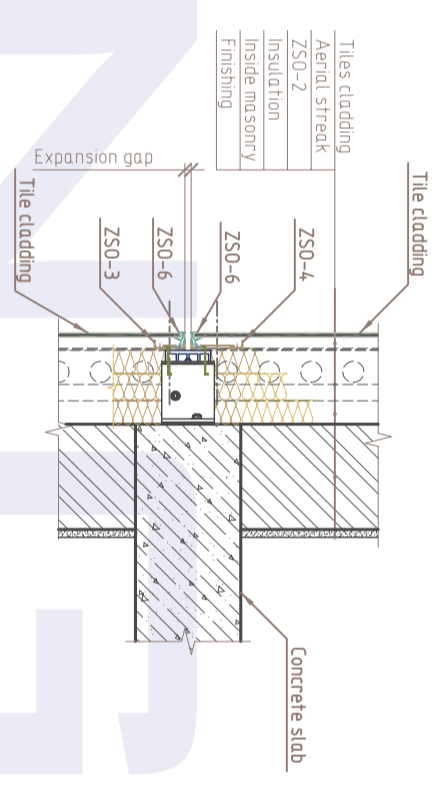
ELEVATION VIEW (wall with window opening)



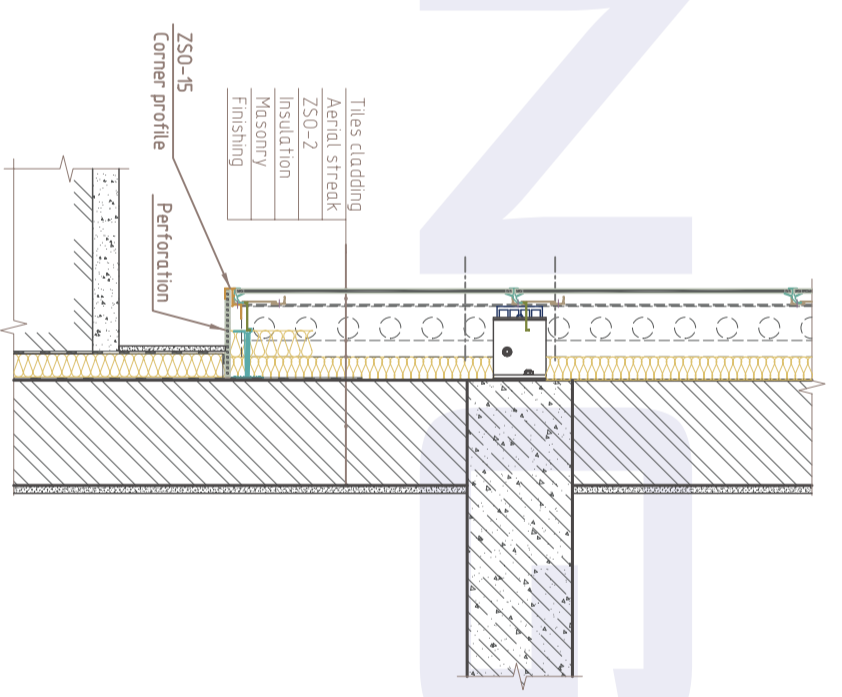
ELEVATION VIEW (parapet)



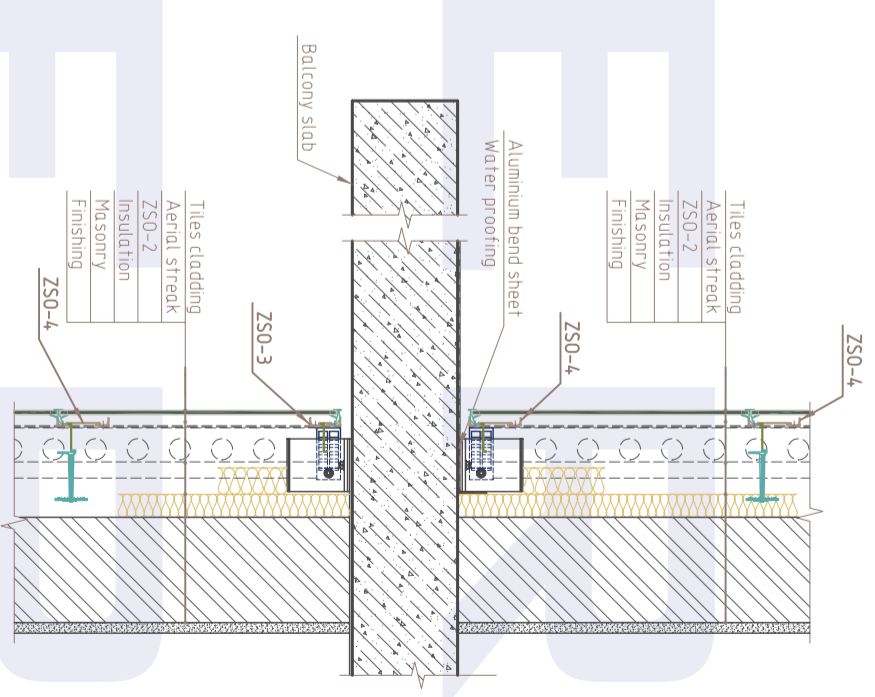
ELEVATION VIEW (overlapping detail)



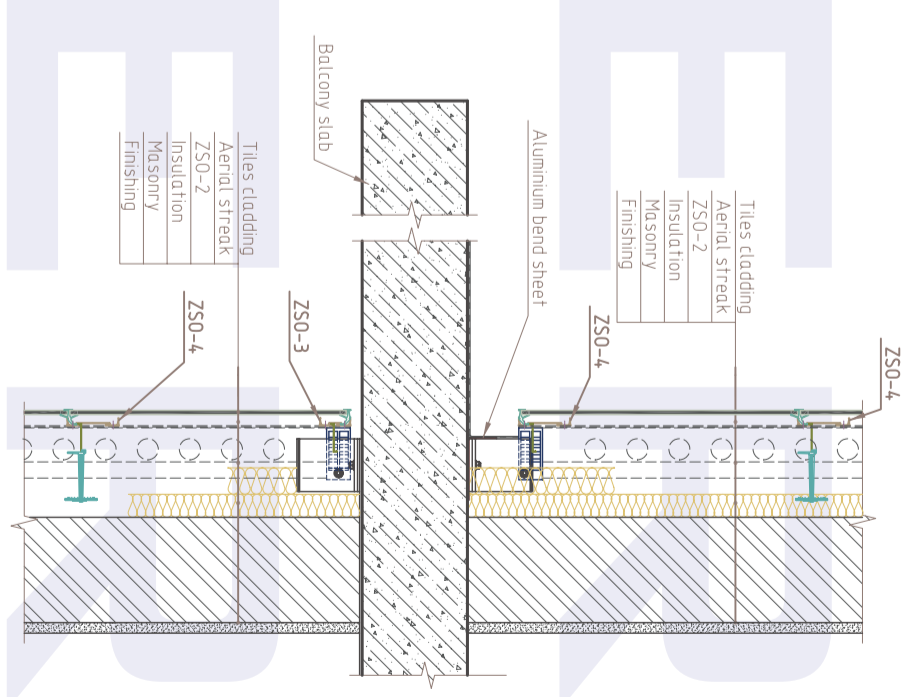
ELEVATION VIEW (basement)



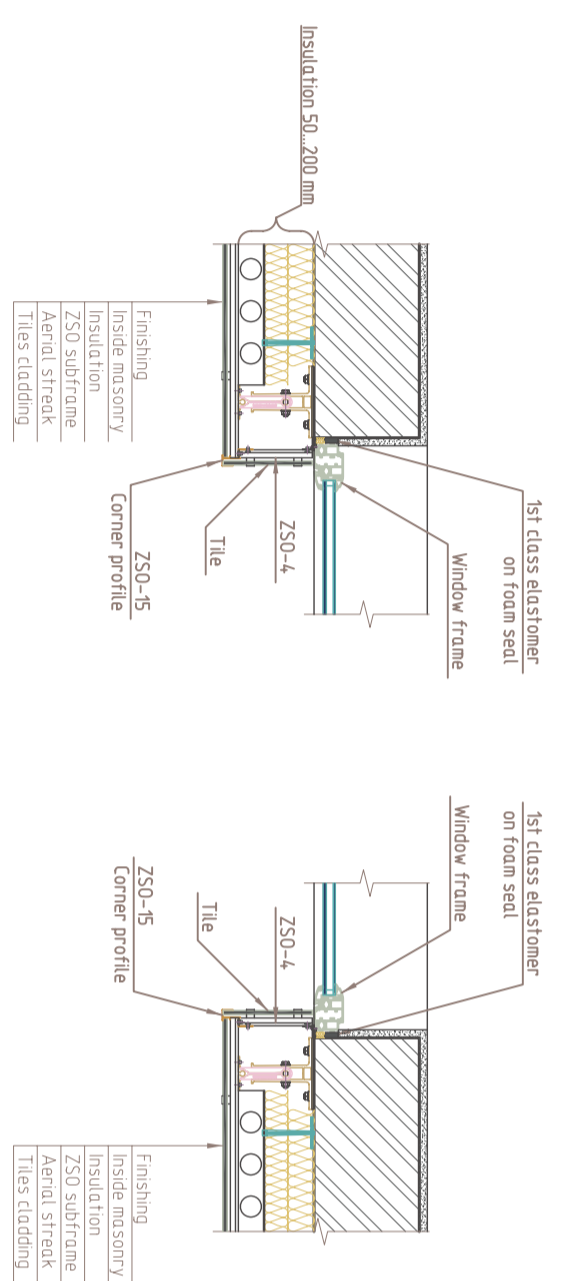
ELEVATION VIEW (balcony)



ELEVATION VIEW (balcony)

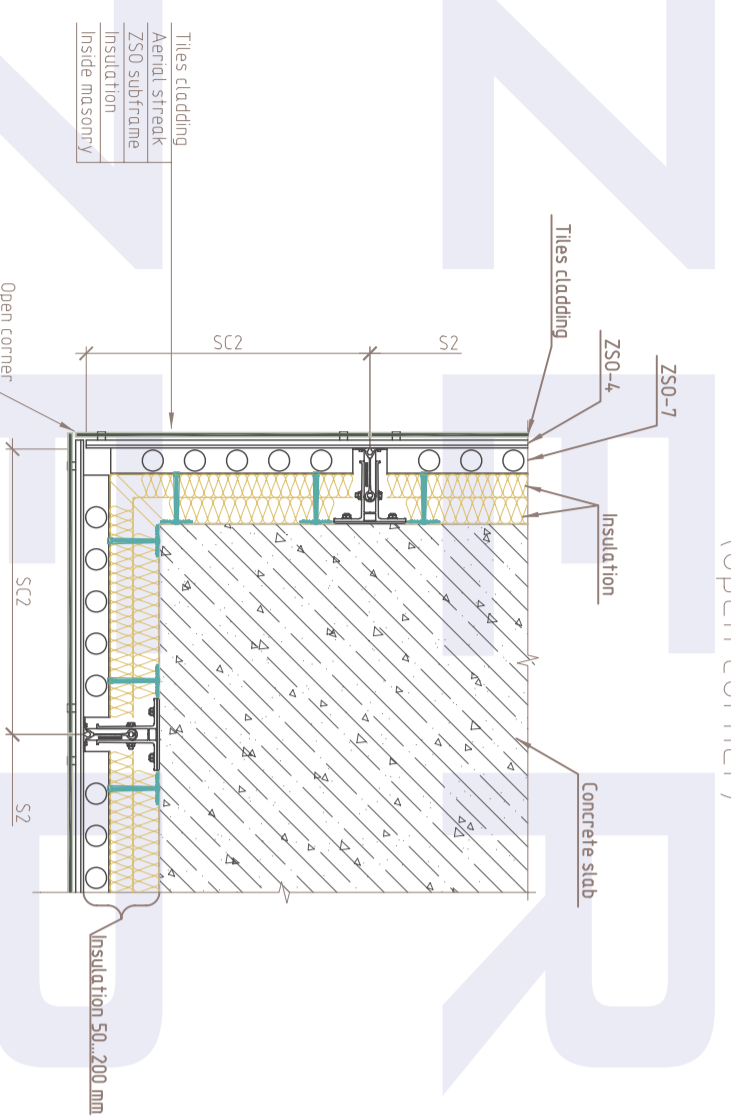


TOP VIEW (window opening)

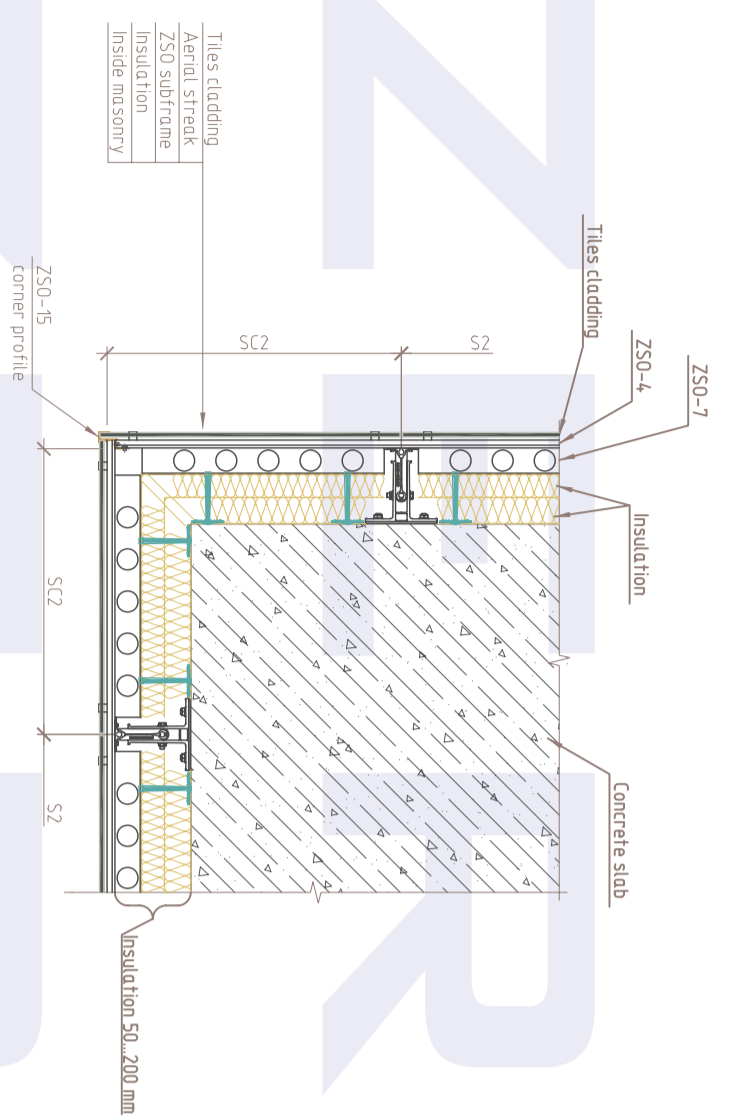


--	--	--	--	--	--	--	--	--	--

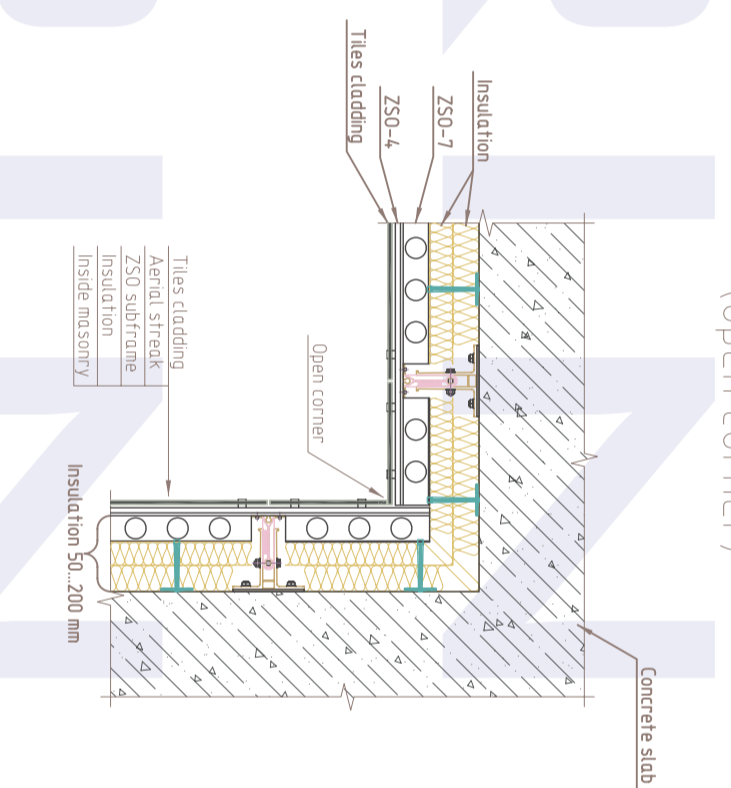
TOP VIEW – external corner
(open corner)



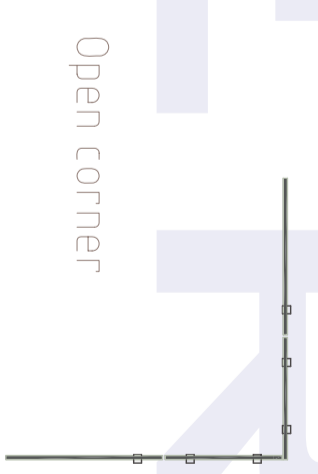
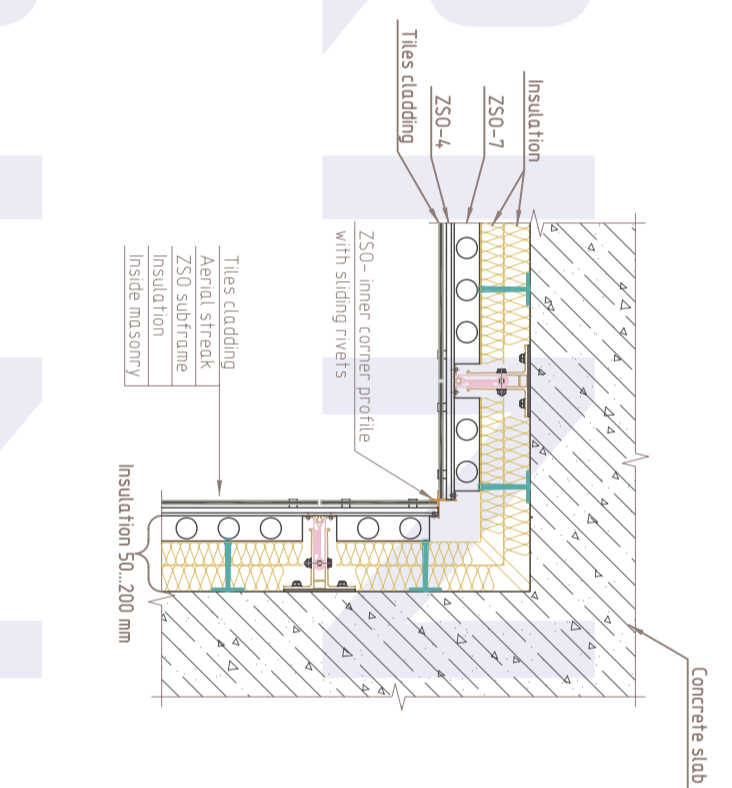
TOP VIEW – external corner
(corner profile)



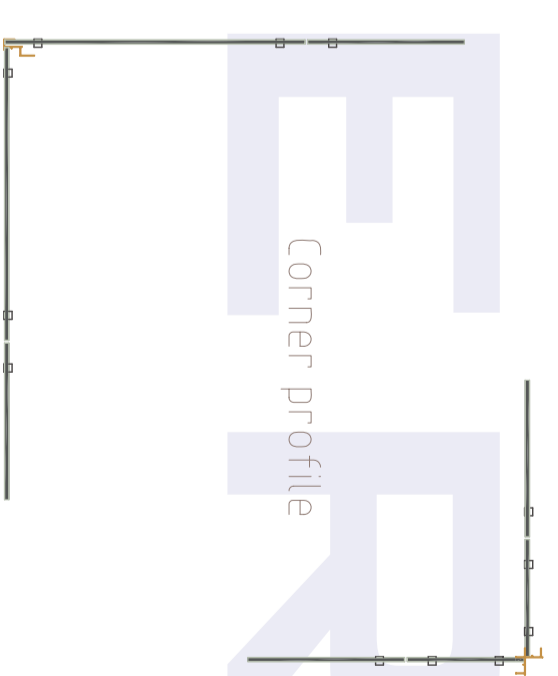
TOP VIEW – internal corner
(open corner)



TOP VIEW – internal corner
(corner profile)



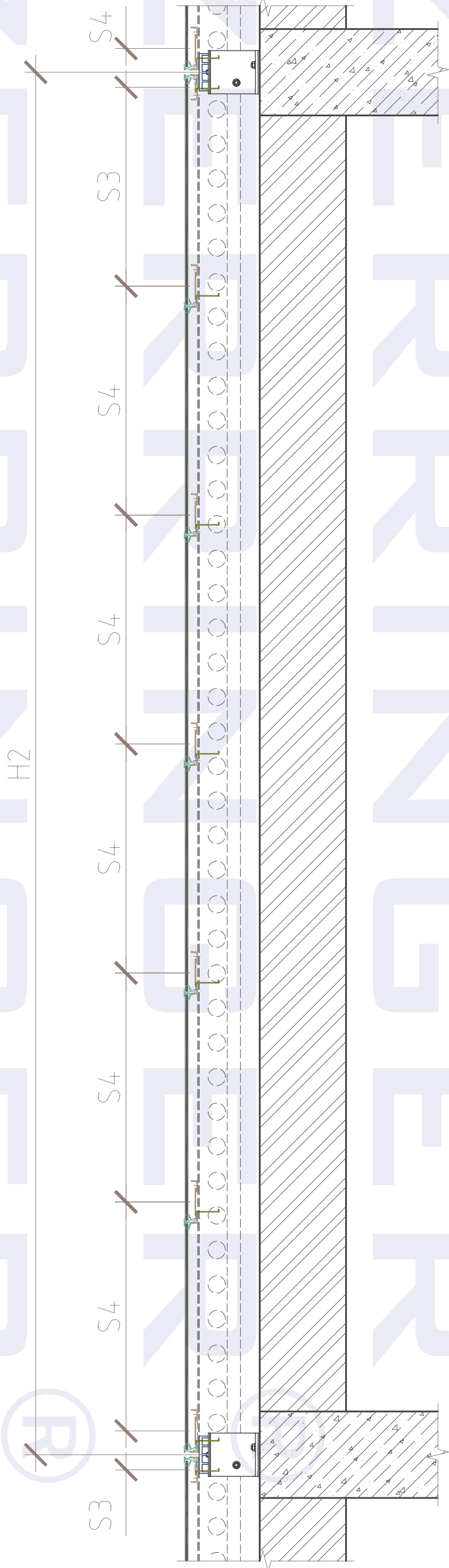
Open corner



Corner profile

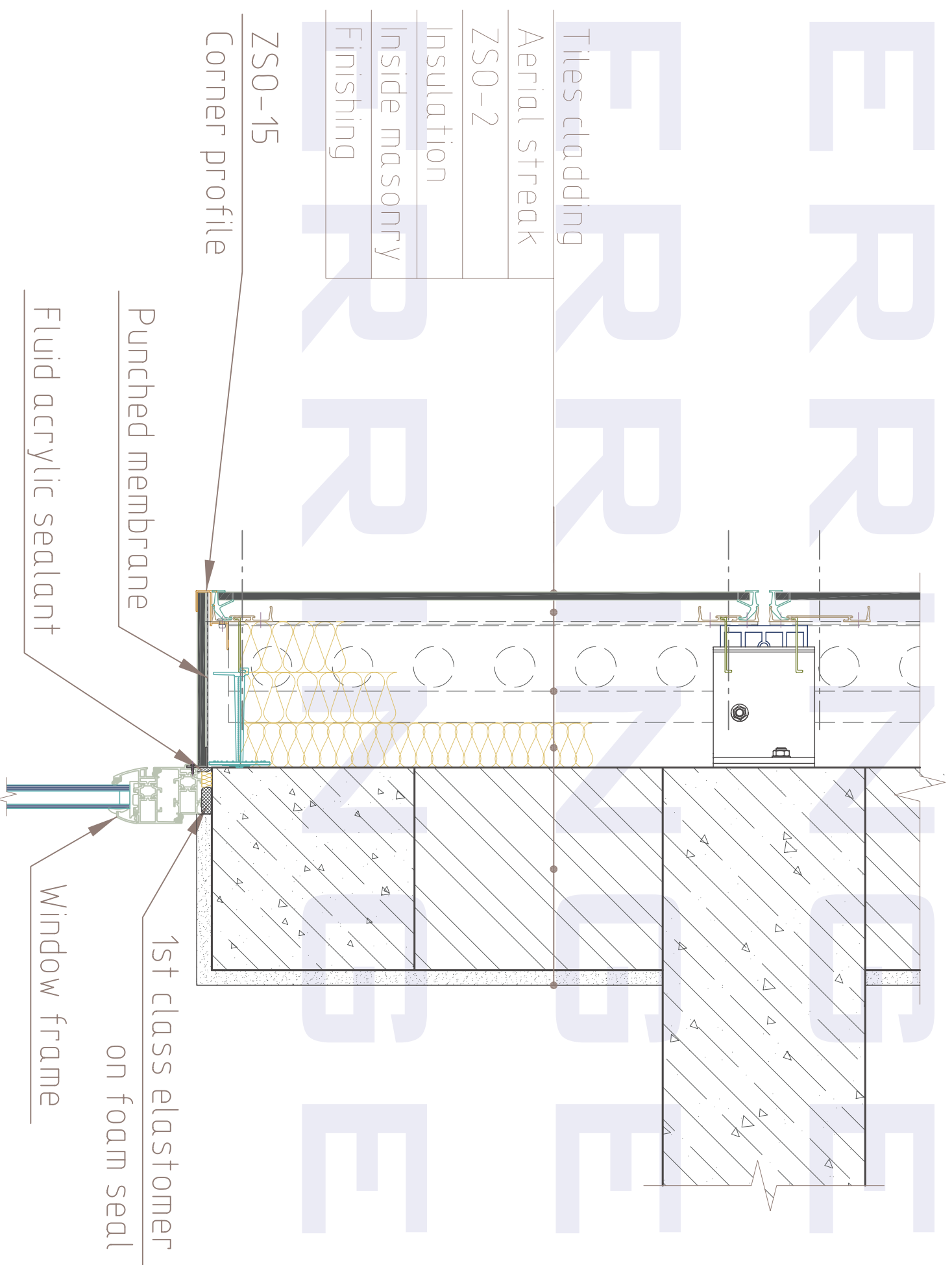
Tiles connections at the corners of buildings may have either open or closed joints. Tiles are suitable for a fixed corner connection with Zerringer ZSO corner profile.

ELEVATION VIEW (blank wall)



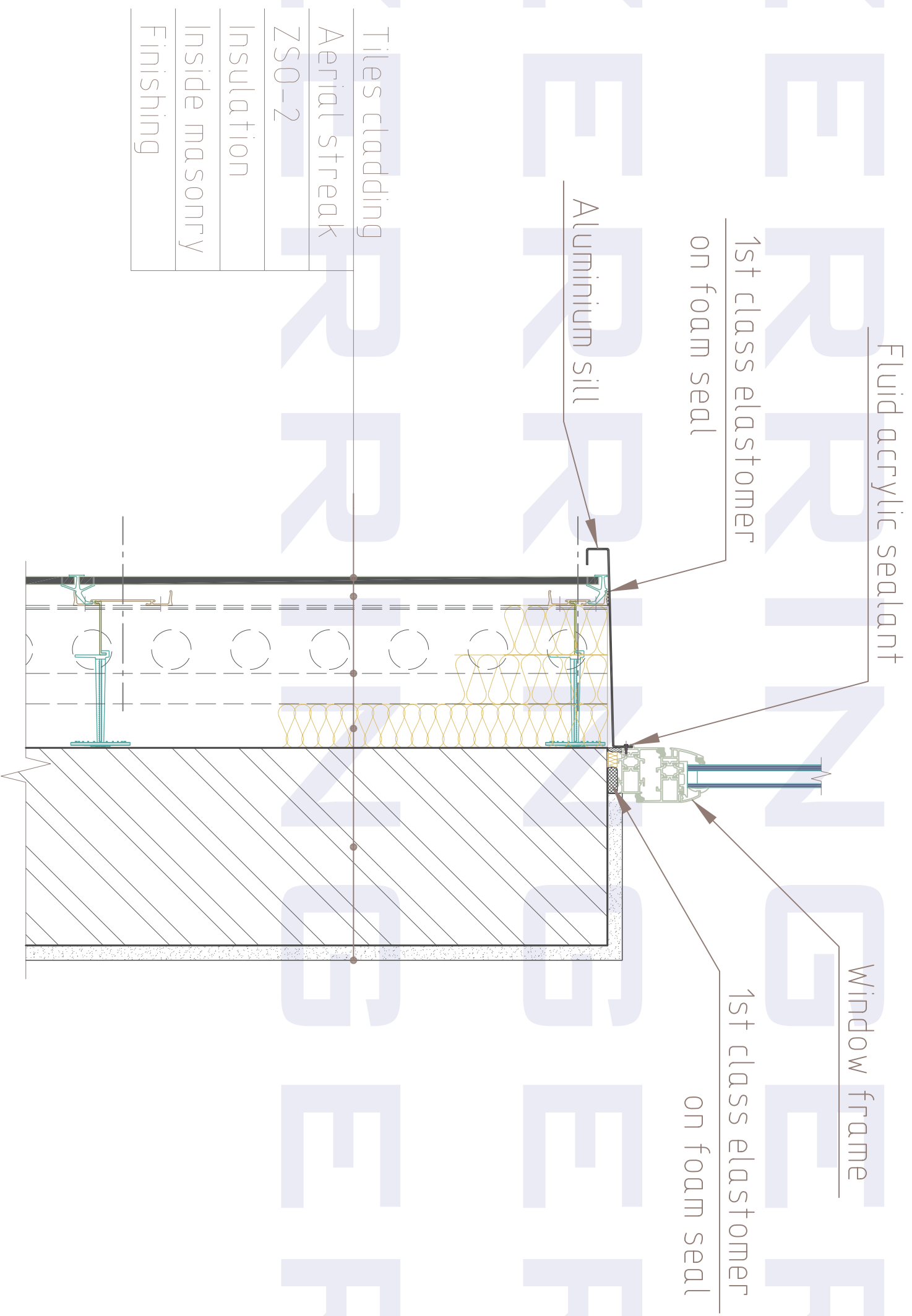
ELEVATION VIEW

(Wall with window opening)

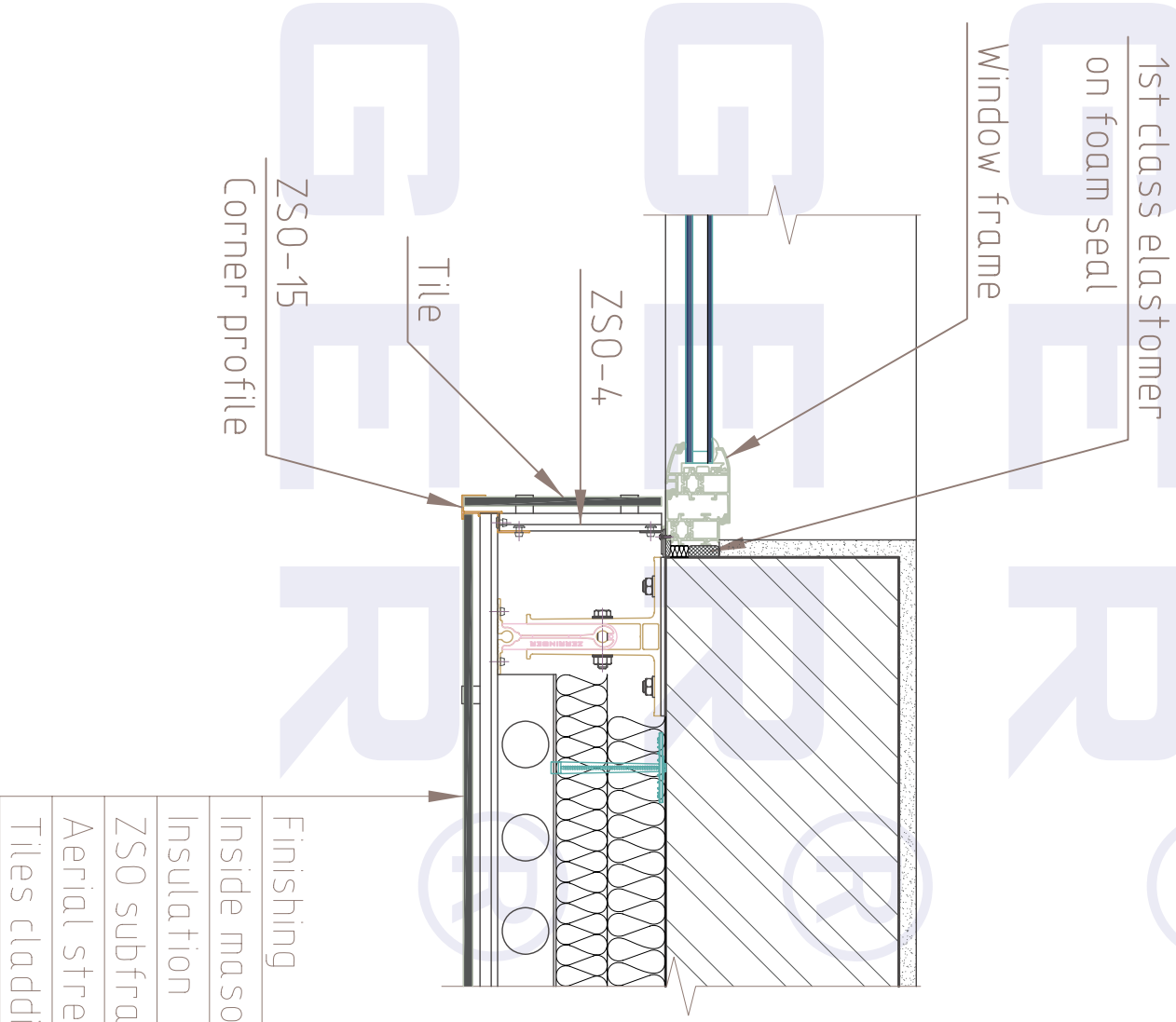
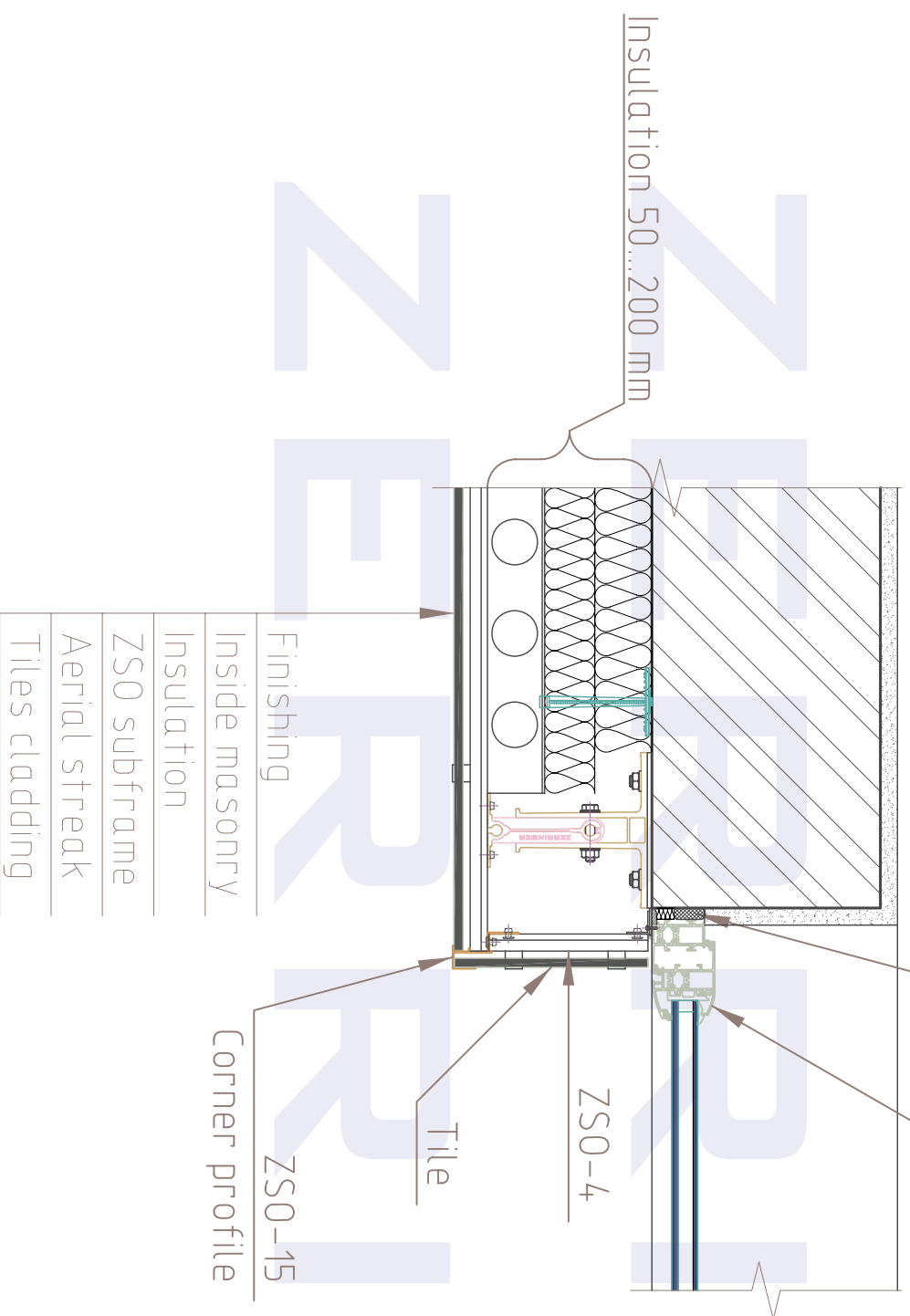


ELEVATION VIEW

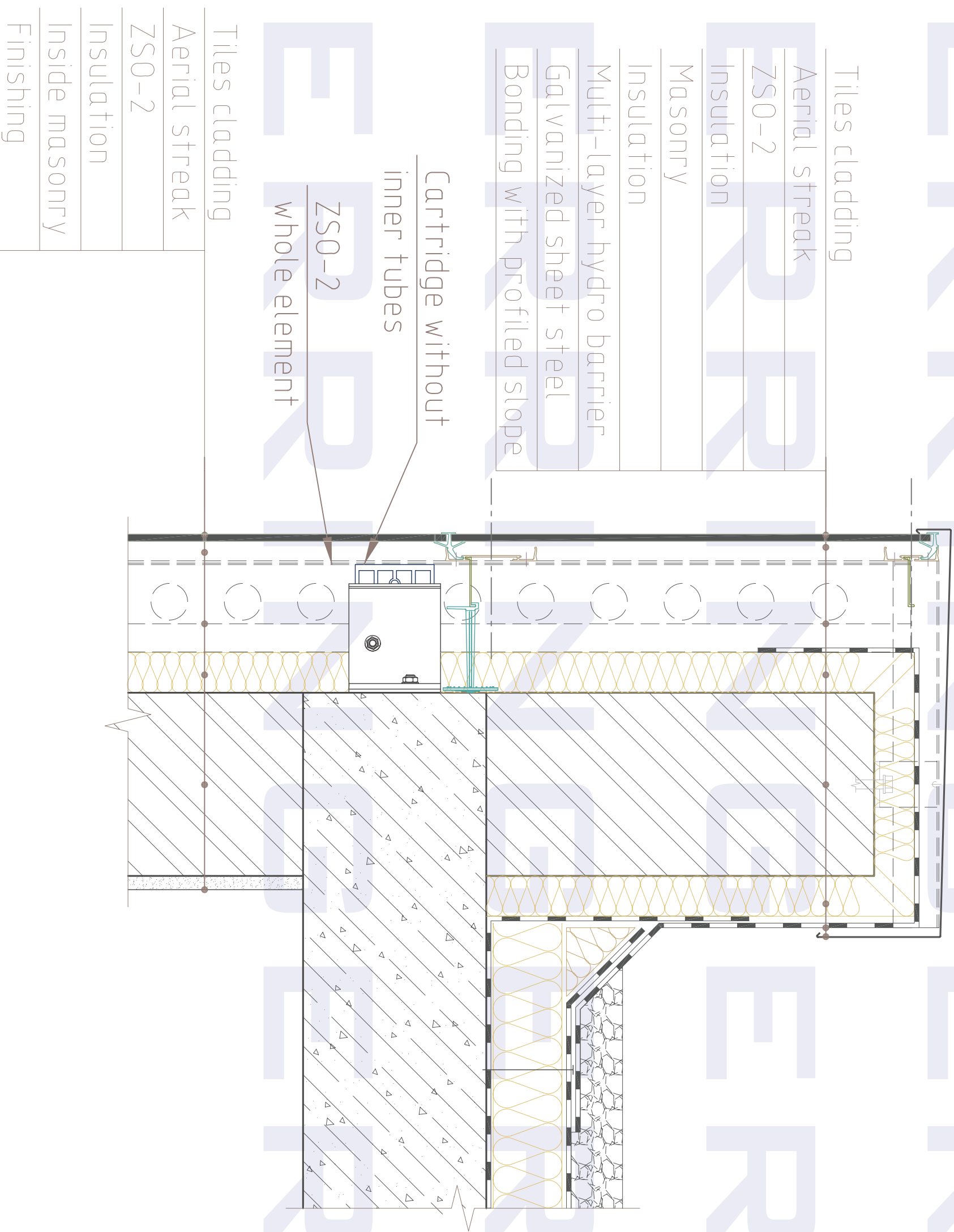
(Wall with window opening)



TOP VIEW (window opening)

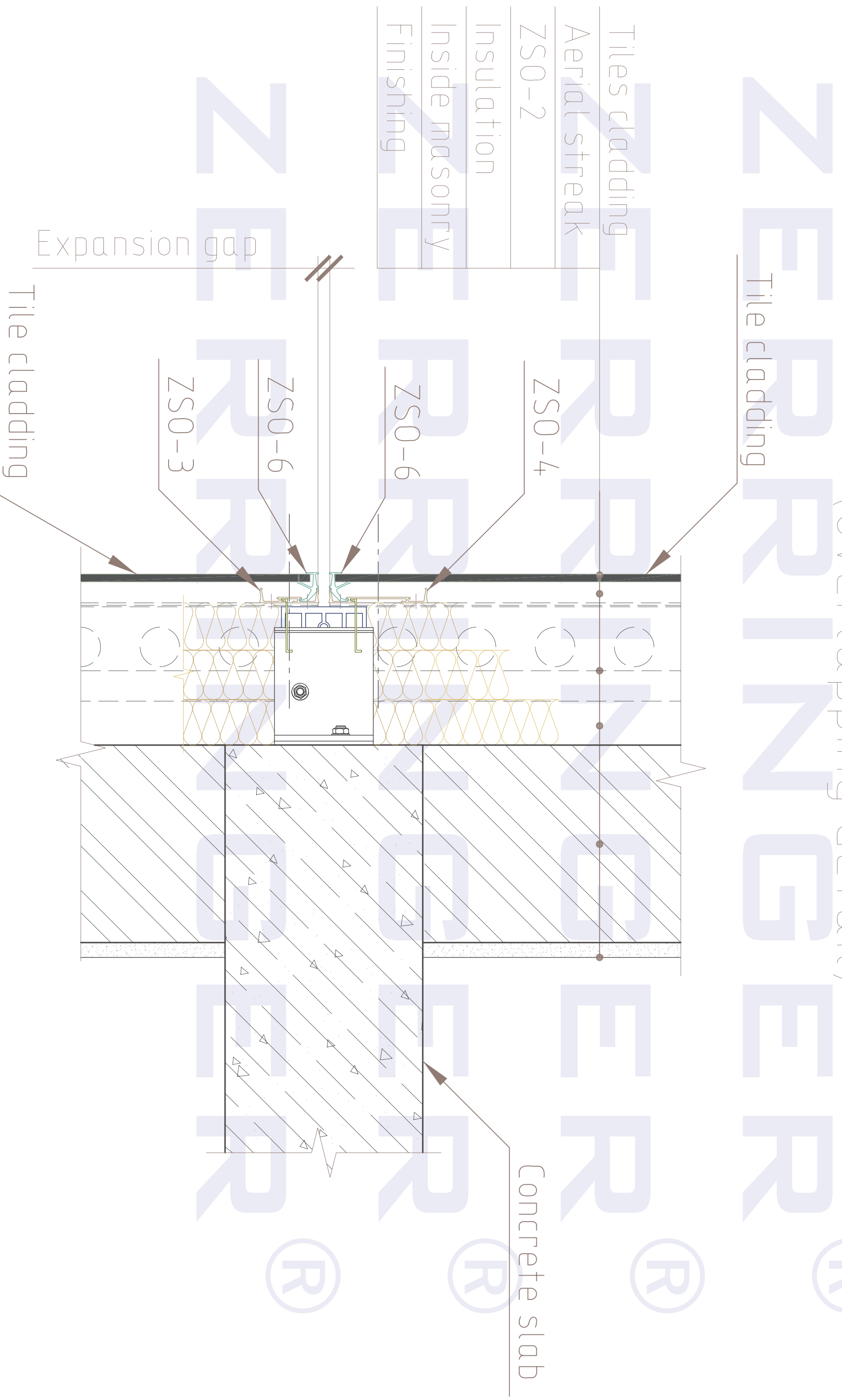


ELEVATION VIEW (parapet)

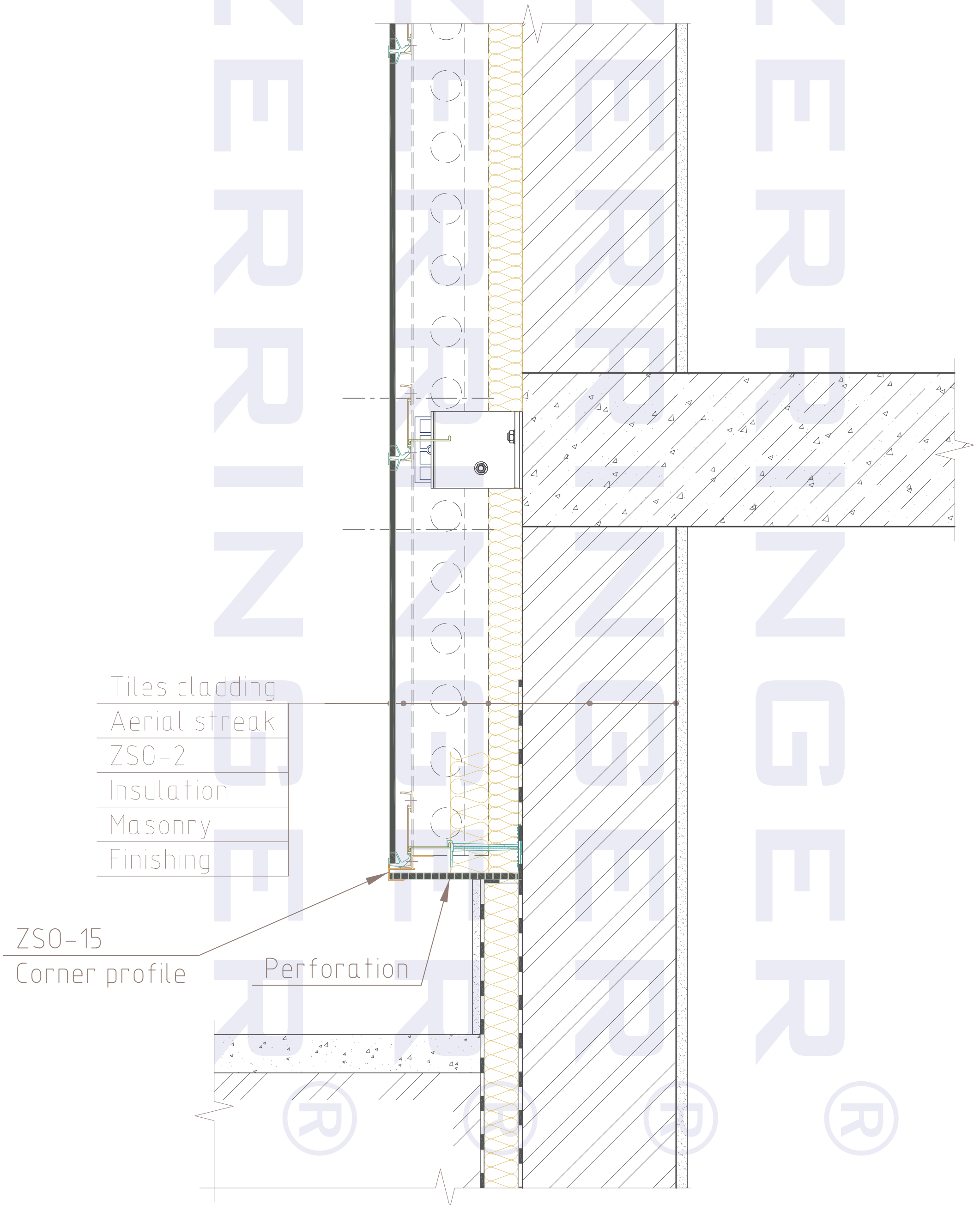


ELEVATION VIEW

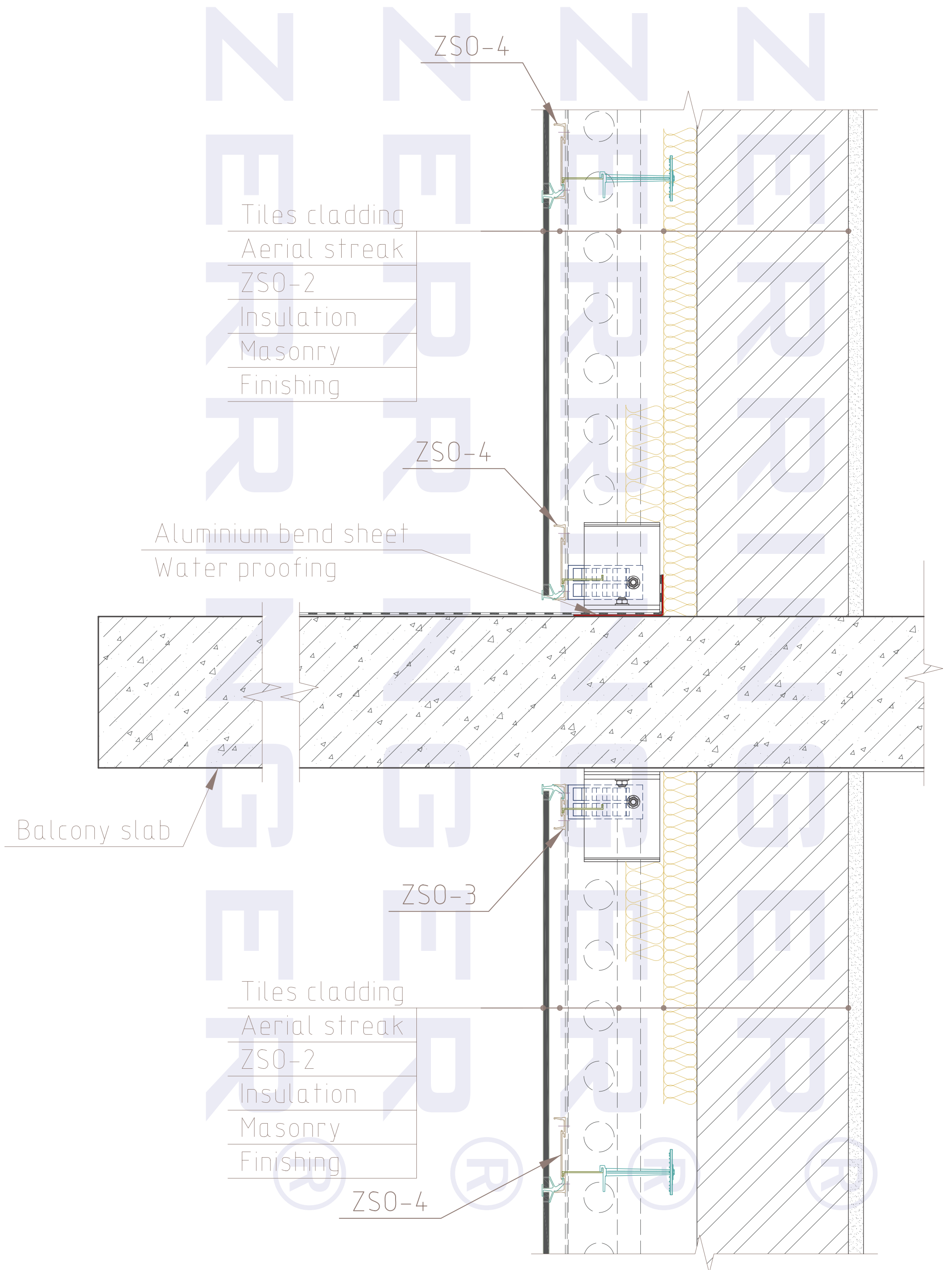
(overlapping detail)



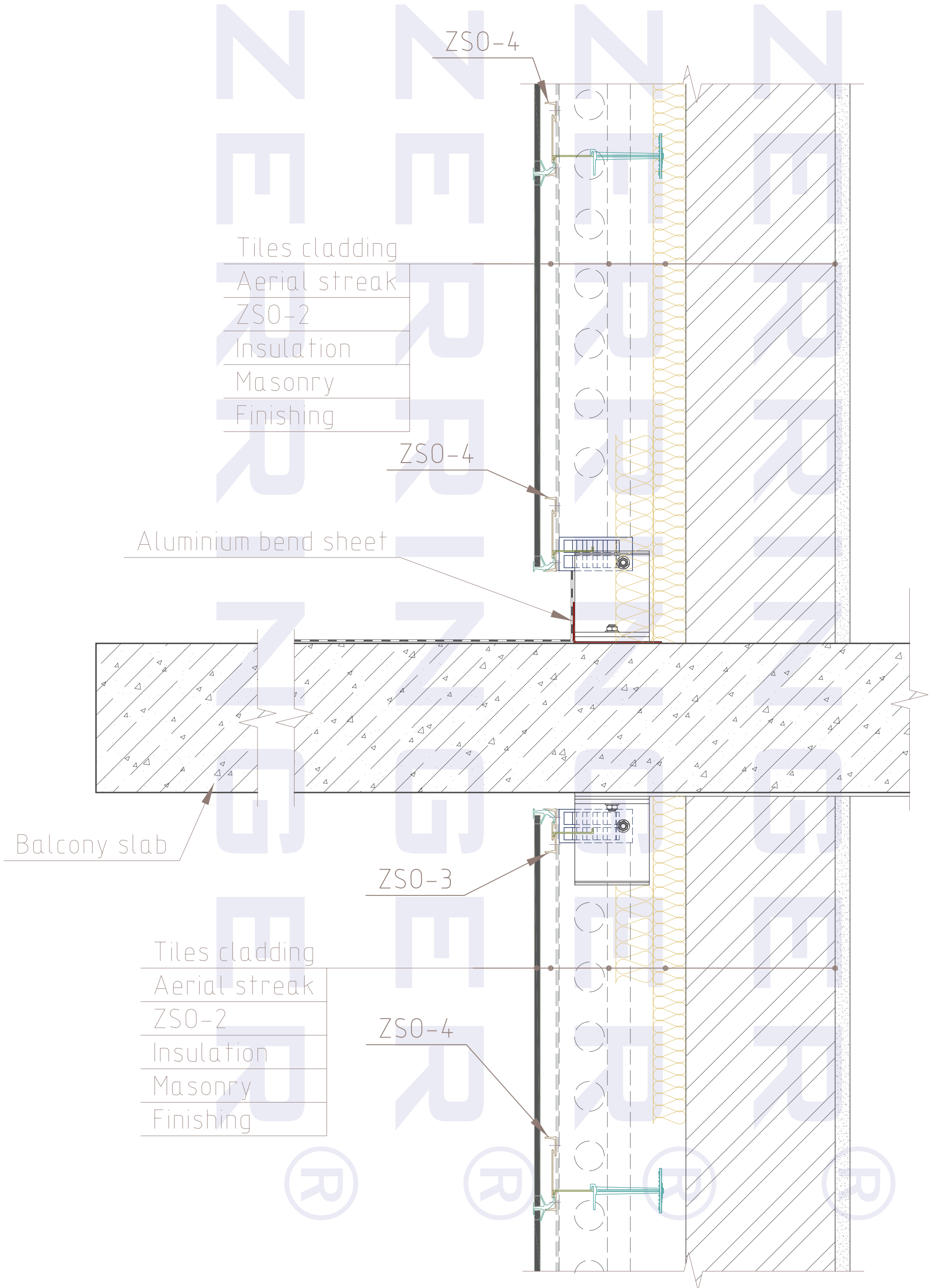
ELEVATION VIEW (basement)



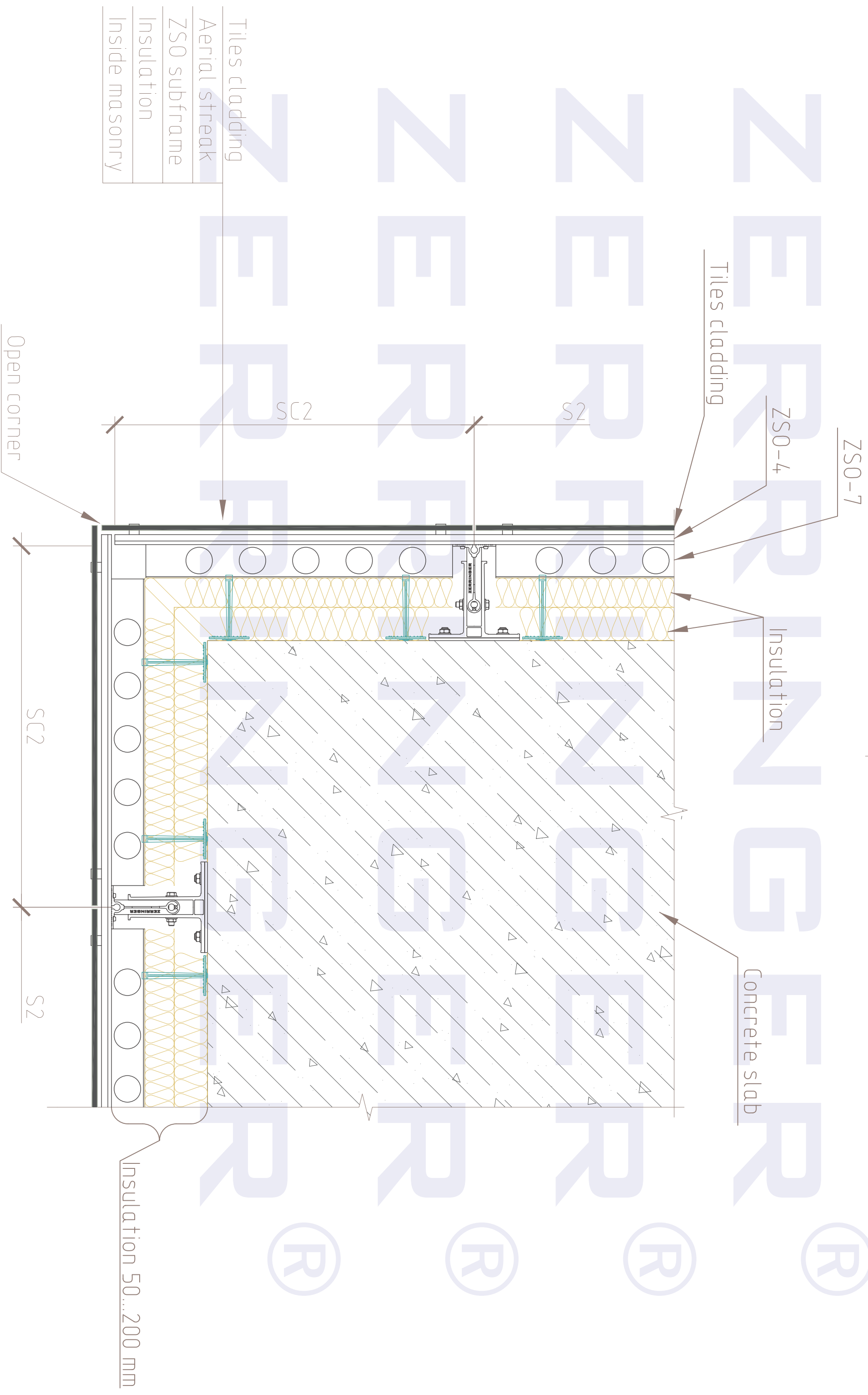
ELEVATION VIEW (balcony)



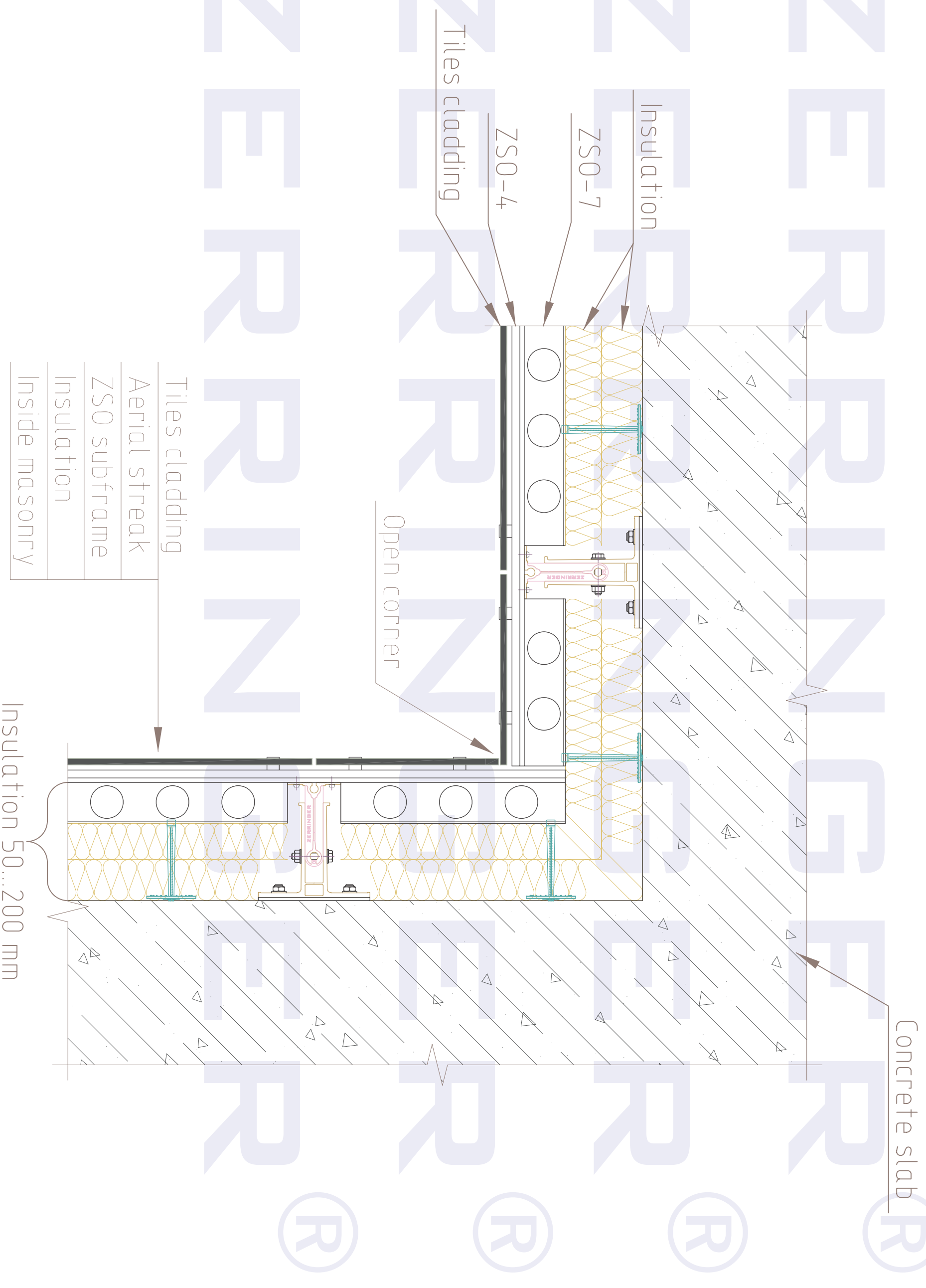
ELEVATION VIEW (balcony)



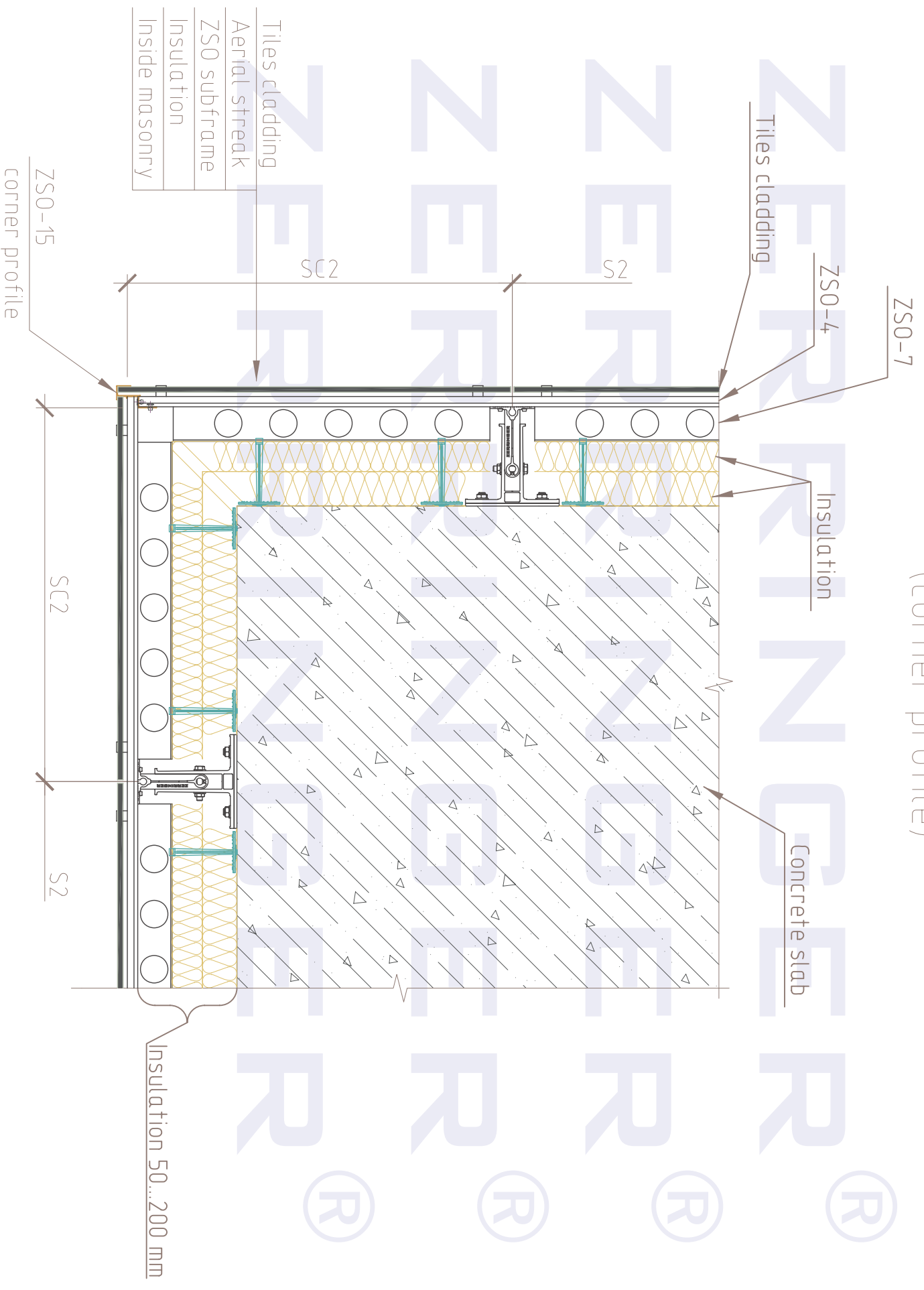
TOP VIEW - external corner
(open corner)



TOP VIEW - internal corner (open corner)



TOP VIEW - external corner
(corner profile)



TOP VIEW - internal corner

(corner profile)

